

# peerless-AV<sup>®</sup>

Driving Technology Through Innovation



INTERACTIVE KIOSKS



dvLED & LCD VIDEO WALLS

## PRODUCT CATALOG

VOLUME 79



RUGGEDIZED OUTDOOR DISPLAYS



MOUNTS, CARTS & STANDS

# TABLE OF CONTENTS

About Peerless-AV .....	pg# 1
Peerless-AV Solutions & Applications .....	pg# 2-3
Peerless-AV Online Resources .....	pg# 4
Peerless-AV Customer Solutions Support Unit .....	pg# 5
Peerless-AV Training Programs .....	pg# 6-7
Peerless-AV Custom Solutions .....	pg# 8

## OUTDOOR TVS, DISPLAYS & MOUNTS

Table of Contents .....	pg# 9
Outdoor TVs & Displays .....	pg# 10-17
Outdoor Accessories .....	pg# 18
Outdoor Mounts .....	pg# 19-28

## KIOSKS

Table of Contents .....	pg# 29
Indoor Kiosks .....	pg# 30-40
Outdoor Kiosks .....	pg# 41-44

## VIDEO WALL & MENU BOARD MOUNTS

Table of Contents .....	pg# 45
<b>SEAMLESS</b> dvLED Systems .....	pg# 46-49
<b>SMARTMOUNT.</b> Video Wall Mounts .....	pg# 50-66
<b>SMARTMOUNT.</b> Menu Board Mounts .....	pg# 67-68

## DISPLAY MOUNTS

Table of Contents .....	pg# 69-70
Universal Display Mounts Chart .....	pg# 71-75
<b>SMARTMOUNT.</b> Wall Mounts .....	pg# 76-109
<b>PARAMOUNT™</b> Wall Mounts .....	pg# 110-124
Designer Series™ Wall/In-Wall Mounts .....	pg# 125-133
In-Wall Boxes .....	pg# 134-135

## DISPLAY MOUNTS

...continued

Media Storage .....	pg# 136-138
Multi-Display & Ceiling Mounts .....	pg# 139-150
Column & Window Display .....	pg# 151-153
Modular Mounts .....	pg# 154-157
Truss & I-Beam Mounts .....	pg# 158-159

## CARTS, STANDS, & DESKTOP MOUNTS

Table of Contents .....	pg# 161
Floor Carts & Stands .....	pg# 162-178
Desktop & Work Centers .....	pg# 179-192

## PROJECTOR & WHITEBOARD MOUNTS

Table of Contents .....	pg# 193
Ceiling Mounts .....	pg# 194-201
Short-Throw Mounts .....	pg# 202-203
Whiteboard Mounts .....	pg# 204-207
Projector Accessories .....	pg# 208
































## AV STORAGE & SUPPORTS

Table of Contents .....	pg# 209
AV Racks .....	pg# 210
AV Component Shelves/Storage .....	pg# 211-220
Speaker Mounts .....	pg# 221-223
Camera Mounts .....	pg# 224

## AV ACCESSORIES

Table of Contents .....	pg# 225
Mount Accessories .....	pg# 226
In-Wall Accessory Boxes .....	pg# 227
Ceiling Plates .....	pg# 228-229
Ceiling Plates & Accessories .....	pg# 230
Extensions & Accessories .....	pg# 231
Column Accessories & Adaptor Plates .....	pg# 232
Wall Plates .....	pg# 233
Hardware & Surge Protectors .....	pg# 234
Carts & Stands Accessories .....	pg# 235
Shelves .....	pg# 236
Index by Model Number .....	pg# 237-240
Terms & Conditions .....	pg# 241

## LOOK FOR THESE SYMBOLS...

 Display Mounts	 VESA® Pattern	 Mounting Pattern	 Distance from Wall	 Distance from Ceiling	 Height Adjustment	 Tilt	 Tilt   Swivel   Roll	 Landscape to Portrait	 Max Load	 Multiple Boxes	 Seismic Safety
 Projector Mounts	 Mounting Pattern	 Distance from Ceiling	 Distance from Wall	 Pitch   Swivel   Roll	 SMARTMOUNT Color Packaging	 PARAMOUNT Color Packaging	 Designer Series Color Packaging	 Antimicrobial Finish	 Electrocoat Finish		
 Federal Communications Commission	 European Conformity	 Ingress Protection Rating	 Electrical Testing Labs	 General Society of Surveillance	 Trade Agreements Act Compliant	 Americans with Disabilities Act (ADA)	 Underwriters Laboratories Listed	 Restriction of the Use of Certain Hazardous Substances			



630-375-5100 | 800-865-2112

info@peerless-av.com

peerless-av.com




# peerless-AV<sup>®</sup>


Driving Technology Through Innovation

As a global leader in audio visual innovation for over 80 years, we pride ourselves on delivering award-winning products and services that exceed your needs, whether they are large or small. Peerless-AV<sup>®</sup> was built on a strong foundation and we continue to thrive because of you, our loyal customer. Thank you for your business. We look forward to collaborating with you for the years to come!




## GLOBAL ORGANIZATION

 GLOBAL HEADQUARTERS  
Offices, Manufacturing, Warehouse

 REGIONAL WAREHOUSE  
Offices, Warehouse

 REGIONAL HEADQUARTERS  
Offices, Manufacturing, Warehouse

 REGIONAL PARTNER  
Offices, Warehouse



### OUR PROFILE

Peerless-AV<sup>®</sup> is a leading designer, manufacturer and distributor of AV solutions, including award-winning fully sealed outdoor displays/TVs, indoor/outdoor kiosks, dvLED and LCD mounting systems.



### OUR MISSION

We will meet and strive to exceed our customers' expectation for quality products and services. We will do our best to make it easy and pleasant to do business with us.



### OUR VISION

We aspire to industry dominance through providing our customers with standard-setting product quality, service and value.

# peerless-AV<sup>®</sup>

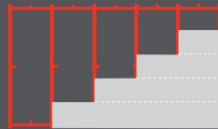
Driving Technology Through Innovation



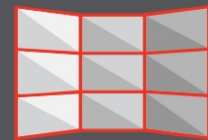
**OUTDOOR  
DISPLAYS & TVS**



**INTEGRATED  
KIOSKS**



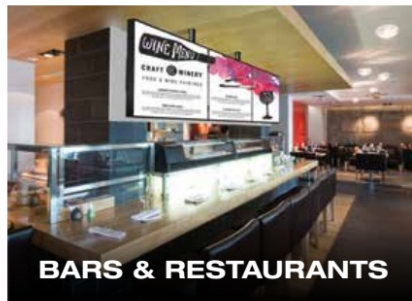
**dvLED VIDEO  
WALL MOUNTS**



**LCD VIDEO  
WALL MOUNTS**



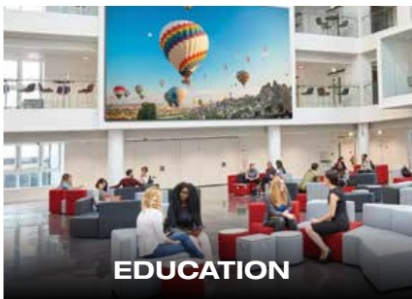
**AIRPORTS**



**BARS & RESTAURANTS**



**CORPORATE**



**EDUCATION**



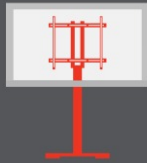
**GOVERNMENT**



**HEALTHCARE**



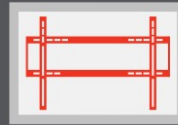
PEERLESS-AV® OFFERS A COMPLETE RANGE OF  
**PROFESSIONAL & RESIDENTIAL AUDIO VISUAL SOLUTIONS**



STANDS  
& CARTS



PROJECTOR  
MOUNTS



DISPLAY &  
TV MOUNTS



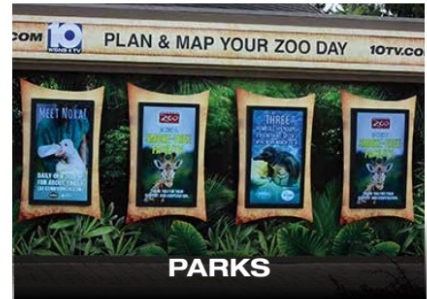
CUSTOM  
SOLUTIONS



HOSPITALITY



MASS TRANSIT



PARKS



RETAIL



STADIUMS



QSR & FAST CASUAL

Check out our online resources at [peerless-av.com](http://peerless-av.com)



MountFinder™ | dvLED Video Wall Configurator | Modular Mount Configurator | Revit Files | B2B Portal

## WE'RE SOCIAL – INTERACT WITH US ON YOUR FAVORITE SOCIAL MEDIA SITE!

Social media has played an important part in helping build Peerless-AV's relationships online. We believe social networks give us a platform to show not only what we sell, but to express who we are as a company. That's why you'll see pictures of our employees having fun in the office posted alongside our latest product press release. We are real and authentic with our followers because we want you interested, engaged and connected with us at all times.





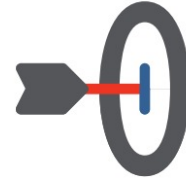
# peerless-AV<sup>®</sup>

## CUSTOMER SOLUTIONS SUPPORT UNIT



### SPECIALIZED SUPPORT UNIT

At Peerless-AV<sup>®</sup>, our first priority is our customers. That's why our award-winning Customer Solutions Support Unit strives to positively impact your business every day. Equipped with full product and technical expertise of the Peerless-AV portfolio, our one-call resolution service and online, live chat are available 7 a.m. to 7 p.m. CT, Monday – Friday to assist you with all of your audio visual needs.



### PEERTECH PROS

The newest addition to our team, PeerTech Pros, is a group of highly-trained individuals specializing in our emerging technologies solutions. These products include outdoor TVs/ displays, kiosks and more.



### B2B PORTAL

Peerless-AV's Partner Portal is specifically designed with partners in mind. Available 24/7, the portal allows users to view their price and list price on specific products; check order status, history, and tracking; print a copy of their invoice(s); and add additional users with specific access rights. Offering a truly secure connection, users are prompted to create their own unique password upon their initial login. For Peerless-AV partners, the portal is an easily accessible all-in-one solution.



### WORLD CLASS TRAINING

Our unparalleled commitment to comprehensive and ongoing training provides you with the best customer service experience in the industry. In addition to completing a rigorous six-week training program, our entire Customer Solutions Support Unit attends weekly technology trainings to ensure we are up-to-date with the latest industry trends.

Hours of Operation: 7 a.m. - 7 p.m. CT, Monday - Friday



630-375-5100

| 800-865-2112



info@peerless-av.com



peerless-av.com

# peerless-AV<sup>®</sup> SALES TRAINING PROGRAM

The Peerless-AV<sup>®</sup> Sales Training Program focuses on selling strategies for dealers, distributors and retailers to increase attachment rates and profits in the mounting solutions and AV accessories categories. Our training program is designed to help you understand the cutting-edge technology offered by Peerless-AV. From Outdoor TVs and Displays that are fully viewable in direct sunlight, to award winning dvLED Video Wall Mounting Solutions, Integrated Kiosks, TV Mounts, and more.

## Take Advantage of the Peerless-AV<sup>®</sup> Sales Training Program & Feel Confident Selling Peerless-AV Products!



Program is complimentary for Peerless-AV Resellers



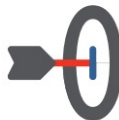
Provides a complete overview of Peerless-AV products



Answers FAQs



Highlights current market trends in the most popular pro AV categories and their effect on your product portfolio



Obtain new selling strategies in the ever-changing market of pro AV needs



Offers leave-behind materials that help increase attachment rates

## 6 WAYS YOUR SALES ORGANIZATION WILL IMPROVE BY USING THE Sales Training Program

- 1 Increase success in meeting & exceeding sales quotas
- 2 Achieve higher win rates
- 3 Better align solutions to customer needs
- 4 Decrease sales force turnover
- 5 Gain greater understanding for what makes a customer buy
- 6 Increase up-selling, cross-selling and on-selling to other products

RESERVE YOUR  
SESSION TIME TODAY!

 800-865-2112 ext.420

 [training@peerless-av.com](mailto:training@peerless-av.com)



# peerless-AV®



## CERTIFIED INSTALLER Training Program

The Certified Installer Training Program is compliant with standards established for continuing education for system integrators and installers. Offering both in-person or online webinar options, these value-added courses demonstrate the importance of proper installation techniques and safety, and address efficient methods to reduce the risk of faulty installations. You will receive customized, hands-on sessions to fit your installation needs, and detailed takeaway resources that can be referred to again and again.

**HOW DO I GET CERTIFIED? COMPLETE THE FOLLOWING LEVELS TO RECEIVE YOUR CERTIFICATES.**



### GETTING TO KNOW THE BASICS

This level includes training on the three types of mounting applications (wall, ceiling, and floor), with a focus on how to safely and properly install wall and ceiling mounts.



### FUNDAMENTALS OF DIGITAL SIGNAGE

This level includes training on the benefits of digital signage and the various applications it can be used in, with a focus on kiosks, digital menu boards, and video wall carts and stands.



### ADVANCED DIGITAL SIGNAGE SOLUTIONS

This level includes training on the installation process of full service video wall mounts, and provides an overview of other digital signage solutions, such as multi-display ceiling mounts.



### MASTERING OUTDOOR AUDIO VISUAL SOLUTIONS

This level includes training on the best practices for installation and set-up scenarios for outdoor audio visual solutions, with a focus on outdoor displays and TVs.



### VIDEO WALL MOUNTING SYSTEMS FOR DIRECT VIEW LED DISPLAYS

This level includes training on direct view LED displays and video wall mounting systems, with a focus on the benefits of such technology and how to properly install a video wall from start to finish (pre-planning, site surveys, and best practices).



**EARN CREDITS  
FOR EACH LEVEL!**



**RESERVE YOUR  
SESSION TIME TODAY!**

800-865-2112 ext.400

[training@peerless-av.com](mailto:training@peerless-av.com)



# CUSTOM SOLUTIONS

Just because it doesn't exist yet, doesn't mean we can't design and manufacture it for you. Peerless-AV® is the industry leader for custom solutions. In fact, the first ever television mount was developed by Peerless-AV as a 'custom inquiry'.



## STATE-OF-THE-ART DESIGN & PRODUCTION

The Peerless-AV Custom Solutions Team maintains its own high-tech engineering and manufacturing equipment so you never have to 'wait your turn' as you do with companies that outsource production. Utilizing FEA simulation software for predictive modeling allows our engineering team to virtually test design performance before prototypes are produced.

Laser and CNC machining equipment offer rapid turnaround on prototypes, and faster finished products, making it easy for you to get a custom solution, even on a tough deadline.



## CUSTOM PROJECT MANAGERS

The Peerless-AV Custom Solutions Team provides a single point of contact who oversees the project every step of the way, ensuring an ideal solution and timely delivery of your custom project.



## DEDICATED ENGINEERS

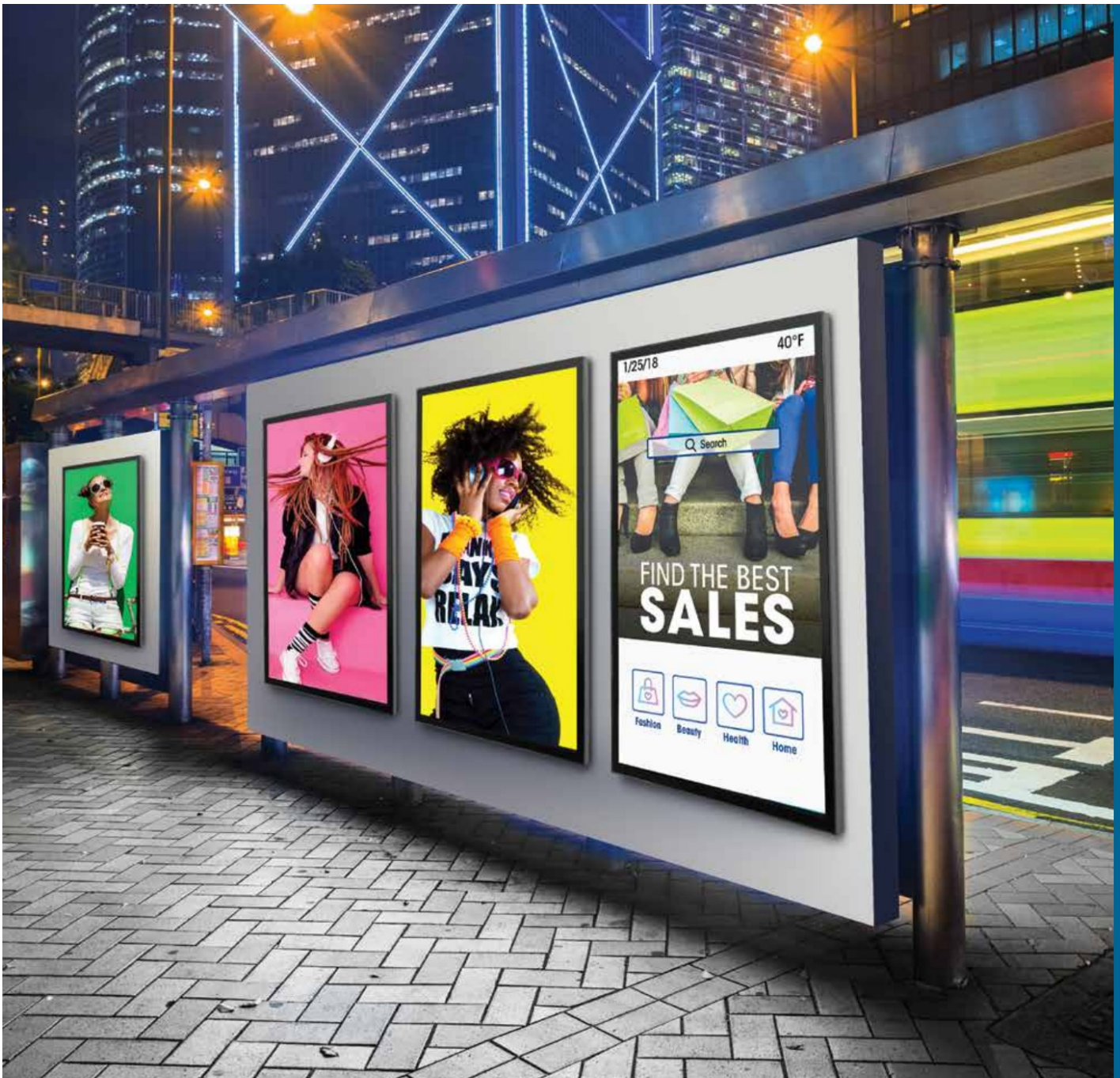
Peerless-AV employs one of the industry's largest and most experienced custom engineering and support staff. Our team features diverse skill sets and backgrounds creating a unique think-tank style atmosphere.

### Engineering Capabilities:

Industrial Design | Mechanical | Electromechanical | Thermal | Environmental | Structural | Seismic | Wind

For more information on developing your custom solution, contact Peerless-AV® at 800-865-2112 or [info@peerless-av.com](mailto:info@peerless-av.com).





# OUTDOOR

TVS, DISPLAYS & MOUNTS

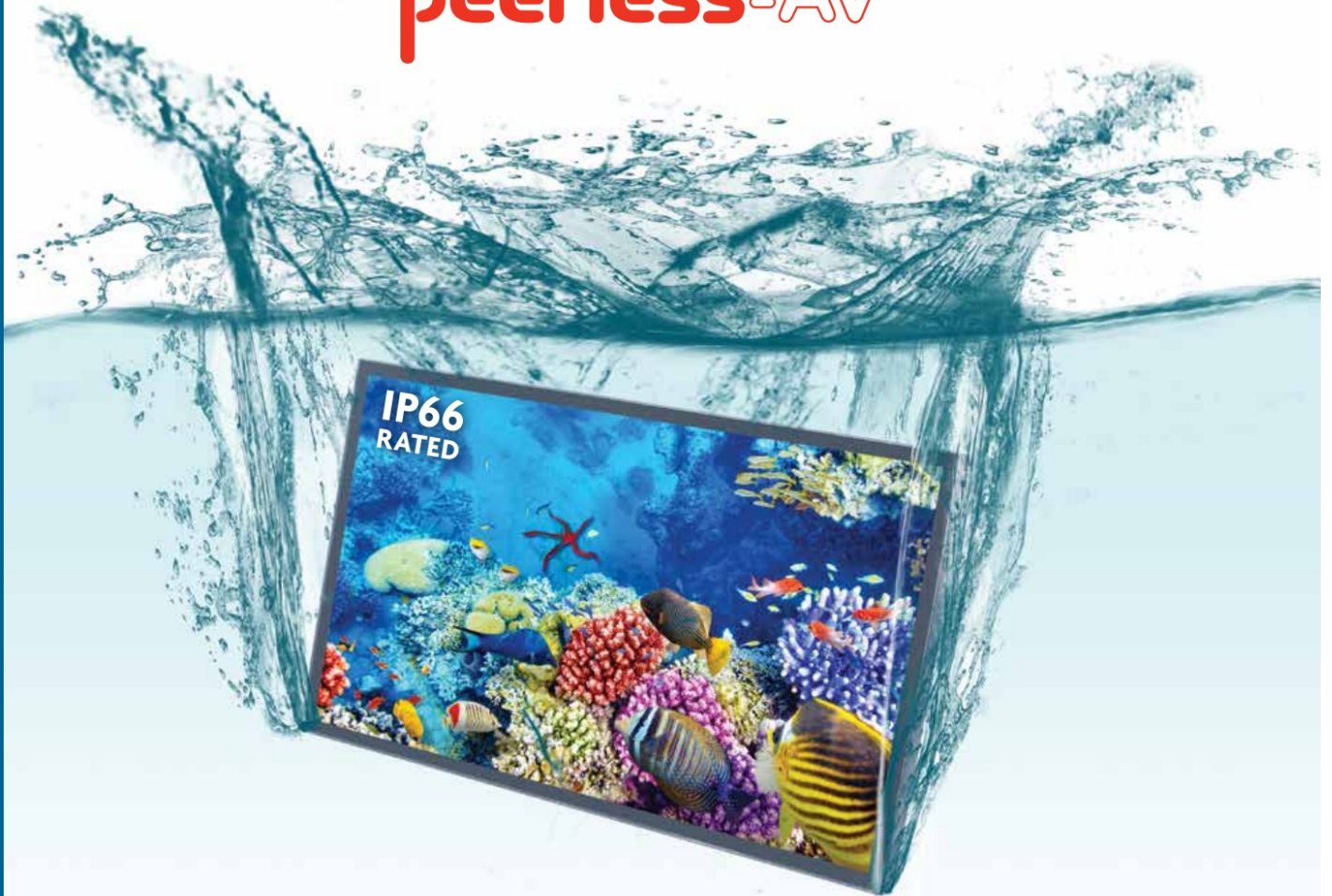
---



# PERFORMANCE DISPLAYS

by

peerless-AV®



The company you have relied on for superior technology mounts now delivers the **ONLY** outdoor display that offers the same level of quality and reliability. Peerless-AV® is proud to introduce the new line of **Xtreme™ High Bright Outdoor Displays**. This line of commercial outdoor displays provides the finest video quality, in a truly elegant yet incomparably ruggedized unit, making them the perfect digital signage or entertainment solution for any professional application - from mass transit to QSR to stadiums and more.

For more information on Xtreme™ High Bright Outdoor Displays, see pages 10-13.



**OUTDOOR TVS & DISPLAYS**

**THE TECHNOLOGY BEHIND**  
 Xtreme™ High Bright Outdoor Displays .... pg# 10-11

**XHB554/XHB653/XHB754**  
 Xtreme™ High Bright Outdoor Displays .... pg# 12-15

**NT553/NT653/NT753**  
 Neptune™ Partial Sun Outdoor Smart TVs . pg# 16-17

**OUTDOOR ACCESSORIES**

**ACCD-DC553, ACCD-DC653, ACCD-DC753**  
 TV/Display Covers ..... pg# 18

**ACCD-ALG**  
 Analog Accessory Kit ..... pg# 18

**ACCD-IRREP**  
 IR Repeater ..... pg# 18

**ACCD-05K**  
 5VDC Power Kit ..... pg# 18

**ACCD-12K**  
 12VDC Power Kit ..... pg# 18

**ACCD-ALS**  
 Ambient Light Sensor (ALS) Extender ..... pg# 18

**ACCD-IREX**  
 IR Extender ..... pg# 18

**OUTDOOR MOUNTS**

**ESF655P**  
 Outdoor Universal Flat Wall Mount - Portrait  
 for 42" to 55" Displays ..... pg# 19

**EST655P**  
 Outdoor Universal Tilt Wall Mount - Portrait  
 for 42" to 55" Displays ..... pg# 20

**ESF675**  
 Outdoor Flat Wall Mount for 75" Xtreme™  
 High Bright Outdoor Display (XHB754) ..... pg# 21

**ESF686**  
 Outdoor Flat Wall Mount  
 for 65" to 86" Outdoor TVs And Displays ..... pg# 22

**EPT630**  
 Outdoor Tilt Wall Mount - Landscape  
 for 22" to 40" Displays ..... pg# 23

**EPT650**  
 Outdoor Tilt Wall Mount - Landscape  
 for 32" to 75" Displays ..... pg# 24

**EPA762PU**  
 Outdoor Articulating Wall Mount - Landscape  
 for 42" to 75" Displays ..... pg# 25

**ESA763PU**  
 Outdoor Articulating Wall Mount - Landscape  
 for 42" to 80" Displays ..... pg# 26

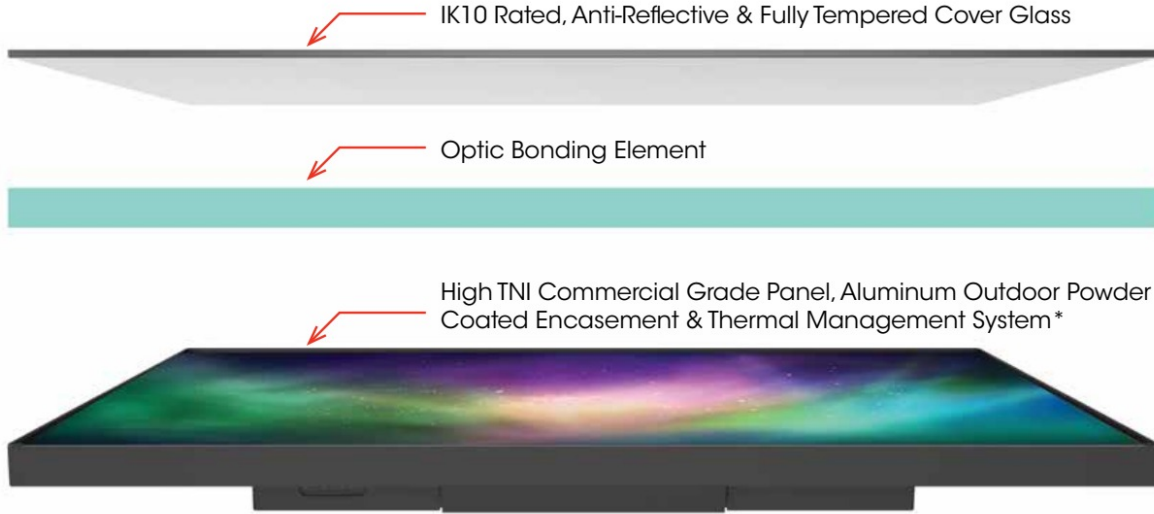
**EWMU**  
 Wind Rated Tilt Wall Mount - Landscape  
 for 32" to 65" Outdoor Displays ..... pg# 27

**ECMUA**  
 Neptune™ Outdoor TV Ceiling Mount  
 for 43" to 75" TVs ..... pg# 28





# THE TECHNOLOGY BEHIND Xtreme™ High Bright Outdoor Displays

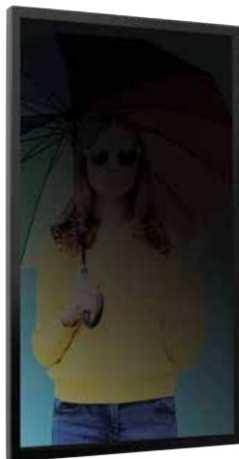


*Defining Elements of an Outdoor Commercial Display*

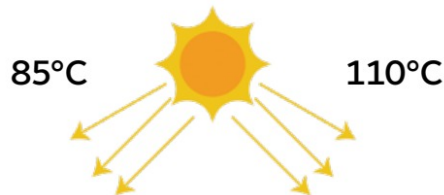
\* Patented and Patents Pending

## High TNi Commercial Display

Prevents Isotropic Blackouts



Without High TNi Panel



Without an extended heat rating for the LCD panel itself, the probability of having an isotropic blackout is likely. To avoid panel blackouts, a High TNi panel must be used if and when a display is ever to live in direct sunlight.



With High TNi Panel

For more information on Xtreme™ High Bright Outdoor Displays, see pages 12-13.

To verify mount compatibility with any display or projector model use MountFinder™ at [peerless-av.com](http://peerless-av.com).

630-375-5100 | 800-865-2112

[info@peerless-av.com](mailto:info@peerless-av.com)

[peerless-av.com](http://peerless-av.com)

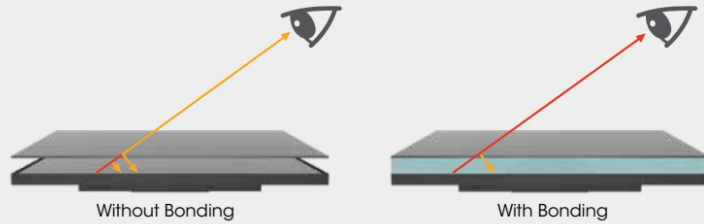
There has never been an outdoor daylight readable display built to withstand the harsh outdoor elements like the Peerless-AV® Xtreme™ High Bright. With unmatched capabilities, Xtreme High Bright Outdoor Displays are the perfect digital signage or entertainment solution for any professional application.

## OPTICAL BONDING TECHNOLOGY

Optical bonding is the process of laminating cover glass to the LCD cell.

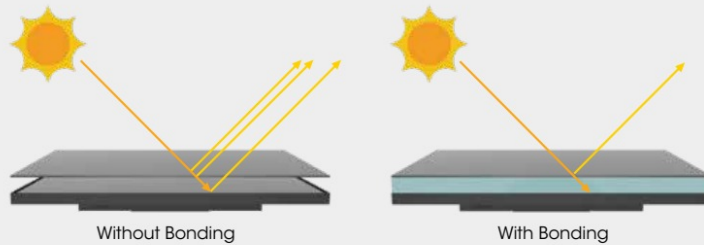
### REFRACTION

A display with an air gap that does not incorporate optical bonding has the ability for the light produced from the LCD module itself to be reflected back at the LCD, causing refraction and compromising the perceived contrast ratio. With optical bonding, the viewer has the perception of a greater contrast ratio, allowing dark images to remain dark and not appear washed out.



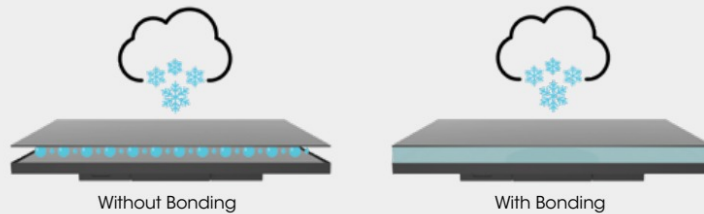
### REFLECTION

When utilizing a pane of glass in front of a display you have 3 points of reflection: Front of Cover Glass, Back of Cover Glass and Front of LCD module. Optical bonding eliminates two out of three points of reflection, which reduces parallax issues, increasing the range of viewing angles and in turn makes the message on the display much less eye fatiguing than screens that do not employ this technology.



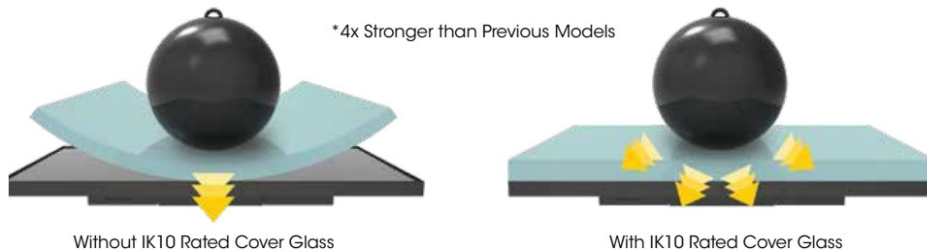
### AIR GAPPED UNITS

Optical bonding protects the display from condensation in humid environments. By filling the void between the cover glass and the interior panel, there is no longer an air gap that can promote the ability to gather condensation.



## IK10 Rated Cover Glass

The robustness of the display goes another step further in that the cover glass is fully tempered, anti-reflective and is IK10 rated\*. The IK10 rating states that it will survive 20J of impact energy, making it perfect for public spaces.



To verify mount compatibility with any display or projector model use MountFinder™ at [peerless-av.com](http://peerless-av.com).

630-375-5100 | 800-865-2112 | [info@peerless-av.com](mailto:info@peerless-av.com) | [peerless-av.com](http://peerless-av.com)

peerless-AV®



# Xtreme™ High Bright Outdoor Displays



**AWARD-WINNING SOLUTION**

**ROBUST DESIGN**

With an IP66 Rating & a patented thermal exhaust system, the Xtreme™ High Bright Display is fully sealed & protected against water, dust, moisture & insects. The display's robust IK10 Rated, anti-reflective cover glass helps protect the screen against vandalism & debris.

## POPULAR APPLICATIONS



Transportation



Lodging/Resorts



Shopping Centers

Use Peerless-AV® Outdoor Mounting Solutions for the perfect outdoor experience, see pages 19-28.

To verify mount compatibility with any display or projector model use MountFinder™ at [peerless-av.com](http://peerless-av.com).

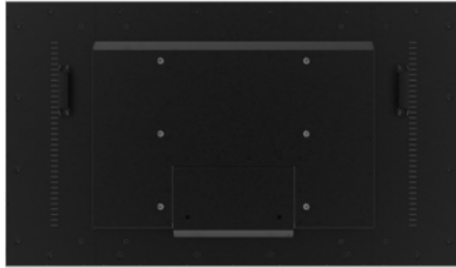
630-375-5100 | 800-865-2112 | [info@peerless-av.com](mailto:info@peerless-av.com) | [peerless-av.com](http://peerless-av.com)





Operating Temperature Range: -31°F to 140°F

All Weather Rated: IP66



### RUGGED EXTERIOR

Aluminum construction materials provide the ultimate defense against weather and discoloration



### QUARTER WAVE PLATE

Allowing for portrait and landscape installations

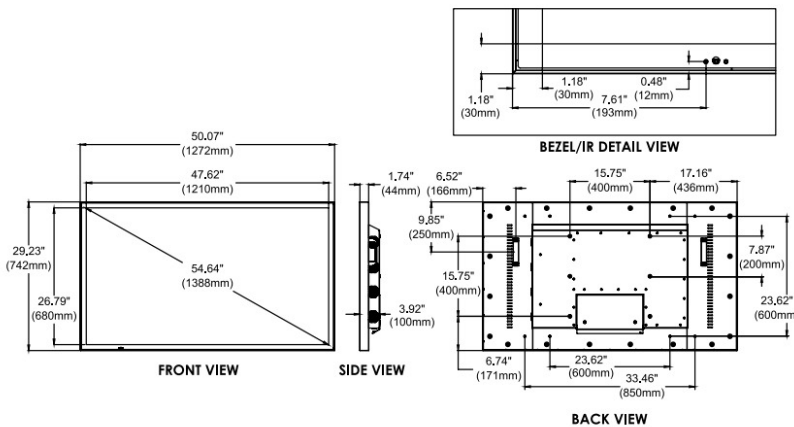


### HIGH BRIGHT OUTPUT

2500nits of light output to combat high ambient lighting conditions

For expanded product information and technical data visit [peerless-av.com](http://peerless-av.com)

### TECHNICAL DRAWINGS



To verify mount compatibility with any display or projector model use MountFinder™ at [peerless-av.com](http://peerless-av.com).

630-375-5100 | 800-865-2112 | [info@peerless-av.com](mailto:info@peerless-av.com) | [peerless-av.com](http://peerless-av.com)

### OUTDOOR TVS, DISPLAYS & MOUNTS

#### MODELS

**XHB554** 55" Outdoor Display Black

#### SPECIFICATIONS

<b>Display Size</b>	54.64" Diagonal
<b>Resolution</b>	1920 x 1080
<b>Brightness</b>	2,500 cd/m <sup>2</sup>
<b>Contrast Ratio</b>	2000:1
<b>Viewing Angle</b>	178° Vertical/Horizontal
<b>Refresh Rate</b>	60Hz
<b>Response Time</b>	6ms (Gray to Gray)
<b>Operating Temperature</b>	-31°F to 140°F (-35°C to 60°C)
<b>Inputs</b>	CVBS, YPbPr, HDMI, DisplayPort, USB, HDBaseT, LAN
<b>Outputs</b>	Analog Audio, Digital Audio, USB Power 5VDC 2.4A, 12VDC 2.5A, IR Output
<b>VESA® Pattern</b>	400 x 200, 400 x 400, 600 x 600, 600 x 850mm
<b>Product Dimensions</b>	(W x H x D) 50.07" x 29.23" x 3.92" (1272 x 742 x 100mm)
<b>Ship Weight</b>	119lb (53.98kg)

#### CERTIFICATIONS



#### ACCESSORIES

- EPT650: (Landscape)**  
Outdoor Universal Tilt Wall Mount - Landscape ... pg# 24
- EPA762PU/ESA763PU: (Landscape)**  
Outdoor Articulating Wall Mount..... pg# 25, 26
- ESF655P/EST655P: (Portrait)**  
Outdoor Universal Flat & Tilt Wall Mounts..... pg# 19, 20
- EWMU: (Landscape only)**  
Wind Rated Tilt Wall Mount..... pg# 27
- ACCD-05K/ACCD-12K:**  
Low Voltage Power Kits ..... pg# 18
- ACCD-ALG:**  
Analog Accessory Kit..... pg# 18
- ACCD-ALS:**  
Ambient Light Sensor Extender... pg# 18
- ACCD-IRREP:**  
IR Repeater..... pg# 18

**OUTDOOR TVS, DISPLAYS & MOUNTS**

**MODELS**

**XHB653** 65" Outdoor Display Black






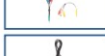

**SPECIFICATIONS**

<b>Display Size</b>	64.53" Diagonal
<b>Resolution</b>	1920 x 1080
<b>Brightness</b>	2,500 cd/m <sup>2</sup>
<b>Contrast Ratio</b>	4000:1
<b>Viewing Angle</b>	178° Vertical/Horizontal
<b>Refresh Rate</b>	60Hz
<b>Response Time</b>	8ms (Gray to Gray)
<b>Operating Temperature</b>	-31°F to 140°F (-35°C to 60°C)
<b>Inputs</b>	CVBS, HDMI, DisplayPort, USB, LAN
<b>Outputs</b>	Analog Audio, Digital Audio, USB Power 5VDC 2.4A, 12VDC 2.5A, IR Out
<b>VESA® Pattern</b>	600 x 400, 600 x 600mm
<b>Product Dimensions</b> (W x H x D)	58.68" x 34.08" x 5.14" (1491 x 866 x 131mm)
<b>Ship Weight</b>	204.4lb (92.7kg)

**CERTIFICATIONS**

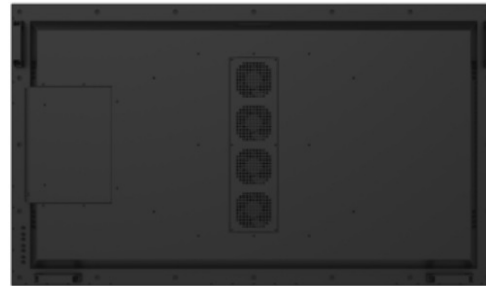


**ACCESSORIES**

-  **EPT650: (Landscape)**  
Outdoor Universal Tilt Wall Mount - Landscape ... pg# 24
-  **ESA743PU: (Landscape)**  
Outdoor Articulating Wall Mount..... pg# 26
-  **ESF686:**  
Outdoor Flat Wall Mount ..... pg# 22
-  **EWMU: (Landscape only)**  
Wind Rated Tilt Wall Mount..... pg# 27
-  **ACCD-05K/ACCD-12K:**  
Low Voltage Power Kits ..... pg# 18
-  **ACCD-ALG:**  
Analog Accessory Kit..... pg# 18
-  **ACCD-ALS:**  
Ambient Light Sensor Extender ... pg# 18



Operating Temperature Range: -31°F to 140°F



**RUGGED EXTERIOR**

Aluminum construction materials provide the ultimate defense against weather and discoloration



**QUARTER WAVE PLATE**

Allowing for portrait and landscape installations

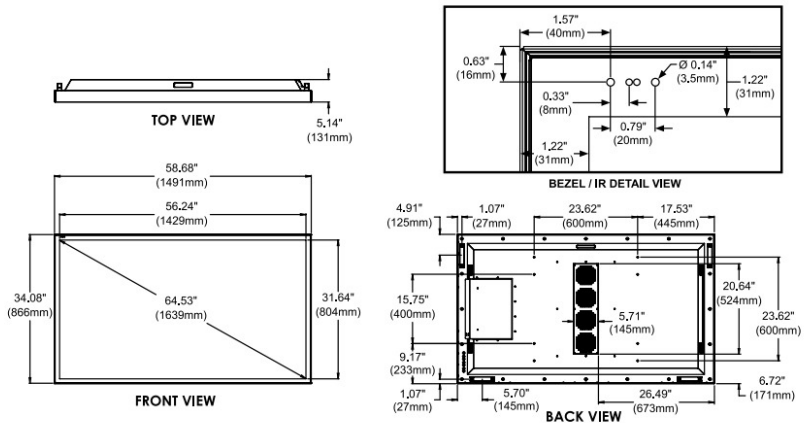


**HIGH BRIGHT OUTPUT**

2500nits of light output to combat high ambient lighting conditions

**TECHNICAL DRAWINGS**

For expanded product information and technical data visit [peerless-av.com](http://peerless-av.com)

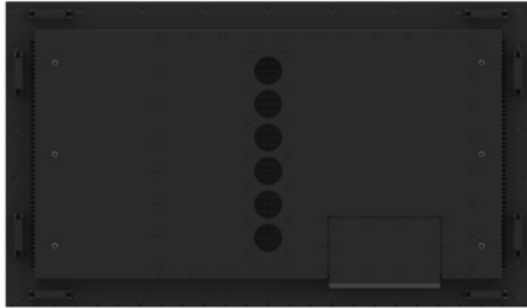


To verify mount compatibility with any display or projector model use MountFinder™ at [peerless-av.com](http://peerless-av.com).



Operating Temperature Range: -31°F to 140°F

All Weather Rated: IP66



### RUGGED EXTERIOR

Aluminum construction materials provide the ultimate defense against weather and discoloration



### QUARTER WAVE PLATE

Allowing for portrait and landscape installations

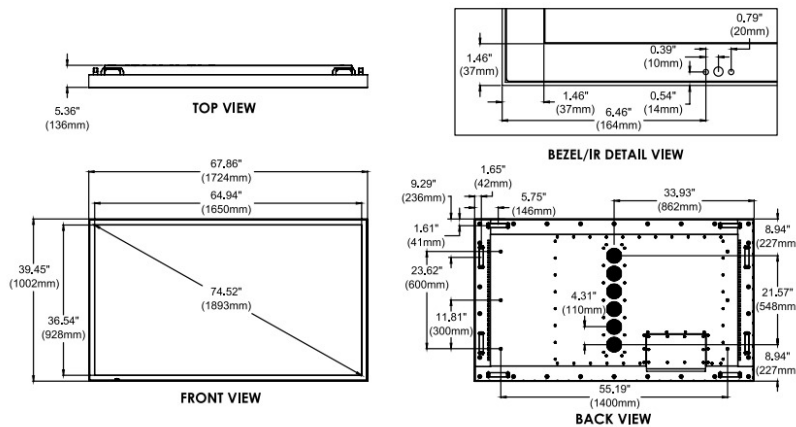


### HIGH BRIGHT OUTPUT

3000nits of light output to combat high ambient lighting conditions

For expanded product information and technical data visit [peerless-av.com](http://peerless-av.com)

### TECHNICAL DRAWINGS



To verify mount compatibility with any display or projector model use MountFinder™ at [peerless-av.com](http://peerless-av.com).

630-375-5100 | 800-865-2112 | [info@peerless-av.com](mailto:info@peerless-av.com) | [peerless-av.com](http://peerless-av.com)

### OUTDOOR TVS, DISPLAYS & MOUNTS

#### MODELS

**XHB754** 75" Outdoor Display Black

#### SPECIFICATIONS

<b>Display Size</b>	74.5" Diagonal
<b>Resolution</b>	3840 x 2160
<b>Brightness</b>	3000 cd/m <sup>2</sup>
<b>Contrast Ratio</b>	1200:1
<b>Viewing Angle</b>	178° Vertical/Horizontal
<b>Refresh Rate</b>	60Hz
<b>Response Time</b>	8ms (Gray to Gray)
<b>Operating Temperature</b>	-31°F to 140°F (-35°C to 60°C)
<b>Inputs</b>	CVBS, YPbPr, HDMI DisplayPort, USB, HDBaseT, LAN
<b>Outputs</b>	Analog Audio, Digital Audio, USB Power 5VDC 2.4A, 12VDC 2.5A, IR Output
<b>VESA® Pattern</b>	1400 x 300, 1400 x 600mm
<b>Product Dimensions</b>	(W x H x D) 67.86" x 39.45" x 5.36" (1723.6 x 1002 x 136.1mm)
<b>Ship Weight</b>	224.87lb (102kg)

#### CERTIFICATIONS



#### ACCESSORIES

	<b>ESF675:</b> Outdoor Flat Wall Mount ..... pg# 21
	<b>ACCD-05K/ACCD-12K:</b> Low Voltage Power Kits ..... pg# 18
	<b>ACCD-ALG:</b> Analog Accessory Kit ..... pg# 18
	<b>ACCD-ALS:</b> Ambient Light Sensor Extender ... pg# 18
	<b>ACCD-IRREP:</b> IR Repeater ..... pg# 18





# Neptune™ Partial Sun Outdoor Smart TVs

powered by **WebOS TV**



### ALL-SEASON SOLUTION

The Neptune™ Partial Sun Outdoor Smart TV is an all-season solution for outdoor entertainment and living. This outdoor TV is all weather rated, maintenance-free and has an operating temperature range of -22°F to 122°F (-30°C to 50°C).

### 4K ULTRA HD™

### EXCELLENT PICTURE QUALITY

With 4K resolution and an IPS panel, Neptune™ Outdoor TVs meet the full UHD specifications, providing exceptional color and video quality from any viewing angle.

### POPULAR APPLICATIONS



Hospitality



Stadium Concourses



Outdoor Living Areas

Use Peerless-AV® Outdoor Mounting Solutions for the perfect outdoor experience, see pages 20-28.

To verify mount compatibility with any display or projector model use MountFinder™ at [peerless-av.com](http://peerless-av.com).

630-375-5100 | 800-865-2112

[info@peerless-av.com](mailto:info@peerless-av.com)

[peerless-av.com](http://peerless-av.com)



Operating Temperature Range: -22°F to 122°F

All Weather Rated



**SEALED CABLE ENTRY**

Helps prevent water and debris from getting inside



Free Outdoor Tilting Wall Mount Included

**HDR**  
HIGH DYNAMIC RANGE

**HDR PANEL TECHNOLOGY**

Portrays a more realistic image with higher contrast and truer color representation



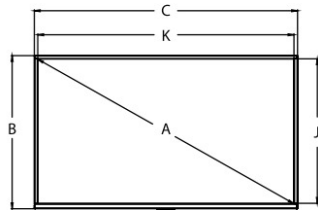
**freePATH TECHNOLOGY™ INPUT COMPARTMENT COVER**

Optimizes wireless signals for the TV's internal WiFi antenna and any additional 3rd party devices plugged into the input compartment

For expanded product information and technical data visit [peerless-av.com](http://peerless-av.com)

**TECHNICAL DRAWINGS**

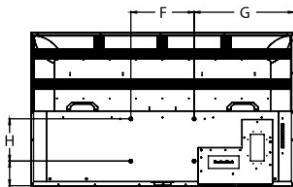
Display Size	Dimension "A"	Dimension "B"	Dimension "C"	Dimension "D"	Dimension "E"	Dimension "F"	Dimension "G"	Dimension "H"	Dimension "I"	Dimension "J"	Dimension "K"
<b>NT553:</b>	54.64" (1388mm)	28.54" (725mm)	49.09" (1247mm)	1.61" (41mm)	3.11" (79mm)	11.81" (300mm)	18.65" (474mm)	7.87" (200mm)	4.61" (117mm)	26.85" (682mm)	47.69" (1211mm)
<b>NT653:</b>	64.53" (1639mm)	33.31" (846mm)	57.59" (1463mm)	1.61" (41mm)	3.11" (79mm)	11.81" (300mm)	22.89" (582mm)	7.87" (200mm)	5.42" (138mm)	31.62" (803mm)	56.24" (1428mm)
<b>NT753:</b>	74.52" (1893mm)	38.18" (970mm)	66.29" (1684mm)	2.00" (51mm)	4.01" (102mm)	15.75" (400mm)	25.27" (642mm)	7.87" (200mm)	7.45" (189mm)	36.74" (933mm)	65.16" (1655mm)



FRONT VIEW



SIDE VIEW



BACK VIEW

To verify mount compatibility with any display or projector model use [MountFinder™](http://MountFinder.com) at [peerless-av.com](http://peerless-av.com).

630-375-5100 | 800-865-2112 | [info@peerless-av.com](mailto:info@peerless-av.com) | [peerless-av.com](http://peerless-av.com)

**OUTDOOR TVS, DISPLAYS & MOUNTS**

**MODELS**

Universal Models:

<b>NT553</b>	55" Partial Sun Outdoor Smart TV	Black
<b>NT653</b>	65" Partial Sun Outdoor Smart TV	Black
<b>NT753</b>	75" Partial Sun Outdoor Smart TV	Black

**SPECIFICATIONS**

<b>Display Size</b>	
NT553:	54.64" Diagonal
NT653:	64.53" Diagonal
NT753:	74.52" Diagonal
<b>Resolution</b>	
3840 x 2160	
<b>Brightness</b>	
500cd/m²	
<b>Aspect Ratio</b>	
16:9	
<b>Viewing Angle</b>	
178° Vertical/Horizontal	
<b>Refresh Rate</b>	
60Hz	
<b>HDR</b>	
HDR10	
<b>Operating Temperature</b>	
-22°F to 122°F (-30°C to 50°C)	
<b>VESA® Pattern</b>	
NT553:	300 x 200mm
NT653:	300 x 200mm
NT753:	400 x 200mm
<b>Product Dimensions (W x H x D)</b>	
NT553:	49.09" x 28.54" x 3.11" (1247 x 725 x 79mm)
NT653:	57.59" x 33.31" x 3.11" (1463 x 846 x 79mm)
NT753:	66.29" x 38.18" x 4.01" (1684 x 970 x 102mm)
<b>Ship Weight</b>	
NT553:	59.5lb (26.99kg)
NT653:	78lb (35.38kg)
NT753:	116.5lb (52.84kg)

**CERTIFICATIONS**



**ACCESSORIES**



**EPT650: (Landscape only)**  
Outdoor Universal Tilt Wall Mount - Landscape ... pg# 24



**EPA762PU: (Landscape only)**  
Outdoor Articulating Wall Mount..... pg# 25



**ESA763PU: (Landscape only)**  
Outdoor Articulating Wall Mount..... pg# 26



# Outdoor Accessories

## ACCD-DC553, ACCD-DC653, ACCD-DC753 TV/Display Covers

1. Uses quality vinyl material to ensure the display is properly protected
2. Helps prolong the life of the display
3. Hook-and-loop fastening system ensures the cover stays in place during all weather conditions



## ACCD-ALG Analog Accessory Kit

1. Composite/Stereo RCA to 3.5mm dangle for connection of composite AV sources for use with the Xtreme™ High Bright line of displays
2. Component RCA to 3.5mm dangle for connection of component AV sources for use with the Xtreme™ High Bright Display models XHB554 and XHB754



## ACCD-IRREP IR Repeater

1. Allows for IR control of signaling and media devices via the IR repeater port on the Xtreme™ High Bright Displays (XHB554, XHB653, XHB754) and the Neptune™ Partial Sun Outdoor TVs (NT553, NT653 and NT753)
2. 3.5mm connector, cord length 10.5 feet



## ACCD-05K 5VDC Power Kit

1. 5VDC Power Kit allows signaling and media devices to be powered by the Xtreme™ High Bright Outdoor Display's DC power outputs, while remaining protected from the elements within the sealed input compartment
2. Includes USB A to micro & mini Includes USB A to the following barrel connectors:
  - 2.5mm (ID) 5.5mm (OD)
  - 2.1mm (ID) 5.5mm (OD)
  - 1.3mm (ID) 3.5mm (OD)



## ACCD-12K 12VDC Power Kit

1. 12VDC Power Kit allows signaling and media devices to be powered by the Xtreme™ High Bright Outdoor Display's DC power outputs, while remaining protected from the elements within the sealed input compartment
2. Includes the following barrel connectors:
  - 2.5mm (ID) 5.5mm (OD)
  - 2.1mm (ID) 5.5mm (OD)
  - 1.3mm (ID) 3.5mm (OD)



## ACCD-ALS Ambient Light Sensor (ALS) Extender

1. The ALS Extender overrides the built-in ambient light sensor on the, Xtreme™ High Bright Outdoor Displays (XHB554, XHB653, XHB754), Outdoor Digital Menu Boards (KOF555-1, KOF555-2, KOF555-3), and Smart City Kiosks (KOP55XHB-(S), KOP55XHB-(S)A)
2. Allows for flexibility in installations where shadows are being cast on the built-in sensor
3. The ALS Extender can be placed in a location that is more representative of actual ambient light conditions



## ACCD-IREX IR Extender

1. The IR Extender overrides the built-in IR receiver on the Xtreme™ High Bright Outdoor Displays
2. Can be used to lock out IR commands from unauthorized users
3. Allows for flexibility in installations where the built-in IR receiver may be obstructed or where an IR based control system is being utilized



To verify mount compatibility with any display or projector model use MountFinder™ at [peerless-av.com](http://peerless-av.com).



630-375-5100 | 800-865-2112



[info@peerless-av.com](mailto:info@peerless-av.com)



[peerless-av.com](http://peerless-av.com)



# Outdoor Universal Flat Wall Mount - Portrait

For 42" to 55" Displays

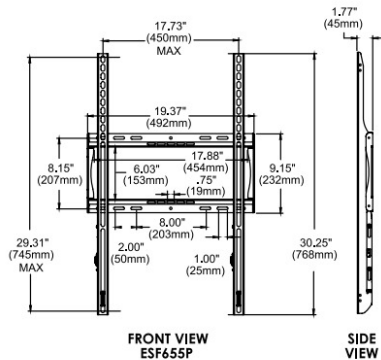
1. Made of corrosion resistant materials for weather resistance
2. Low-profile design holds display only 1.77" (45mm) from the wall for a clean application
3. Open wall plate design allows for total wall access, increasing electrical and cable management options
4. Horizontal display adjustment for better display placement
5. Universal display adaptors easily hook onto wall plate for a quick installation
6. Includes theft resistant hardware



Please visit [peerless-av.com/en-us/patents](http://peerless-av.com/en-us/patents) for patent information.

For expanded product information and technical data visit [peerless-av.com](http://peerless-av.com)

## TECHNICAL DRAWINGS



To verify mount compatibility with any display or projector model use MountFinder™ at [peerless-av.com](http://peerless-av.com).

630-375-5100 | 800-865-2112 | [info@peerless-av.com](mailto:info@peerless-av.com) | [peerless-av.com](http://peerless-av.com)

## OUTDOOR TVS, DISPLAYS & MOUNTS



### MODELS

#### Universal Models:

Includes theft resistant hardware  
Outdoor Universal Flat Wall Mount - Portrait:  
**ESF655P** 42" to 55" Displays Black

### DISPLAY ADAPTOR

Mounting Pattern (W x H)
450 x 745mm (17.73" x 29.31")



#### VESA® Pattern

Up to 400 x 600mm

### SPECIFICATIONS

Distance from Wall
1.77" (45mm)

Max Load
150lb (68kg)

Product Dimensions (W x H x D)
19.37" x 30.25" x 1.77" (492 x 768 x 45mm)

Mounting Surfaces
Wood, concrete or cinder/breeze block

Ship Weight
8.2lb (3.7kg)

### CERTIFICATIONS



RoHS

TAA COMPLIANT

### ACCESSORIES



**XHB554: (Portrait only)**  
Xtreme™ High Bright  
Outdoor Displays ..... pg# 12-13

OUTDOOR TVS, DISPLAYS & MOUNTS

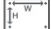



MODELS




Universal Models:

Includes theft resistant hardware  
 Outdoor Universal Tilt Wall Mount - Portrait:  
**EST655P** 42" to 55" Displays Black

DISPLAY ADAPTOR

	<b>Mounting Pattern (W x H)</b>
	445 x 605mm (17.50" x 23.82")
	<b>VESA® Pattern</b>
	Up to 400 x 600mm

SPECIFICATIONS

	<b>Distance from Wall</b>
	2.52" (64mm)
	<b>Tilt</b>
	+15°/-5°
	<b>Max Load</b>
	150lb (68kg)
	<b>Product Dimensions (W x H x D)</b>
	19.37" x 24.76" x 2.52" (492 x 629 x 64mm)
	<b>Mounting Surfaces</b>
	Wood, concrete or cinder/breeze block

CERTIFICATIONS



ACCESSORIES



**XHB554: (Portrait only)**  
 Xtreme™ High Bright  
 Outdoor Displays ..... pg# 12-13

# Outdoor Universal Tilt Wall Mount - Portrait

For 42" to 55" Displays

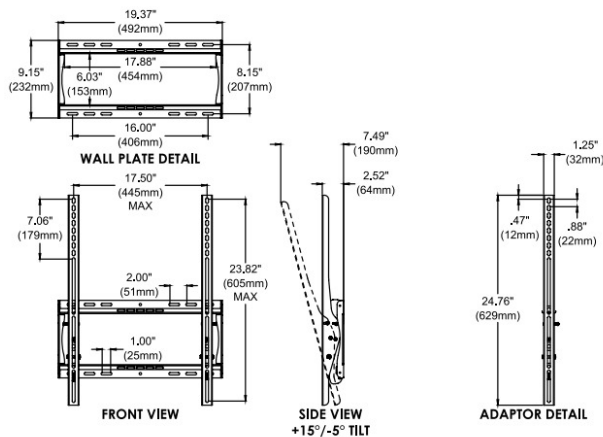
1. Made of corrosion resistant materials for weather resistance
2. One-Touch™ tilt allows adjustment of +15°/-5° with optional tilt lock in 5° increments
3. Open wall plate design allows for total wall access, increasing electrical and cable management options
4. Universal display adaptors easily hook onto wall plate for a quick installation
5. Includes theft resistant hardware



Please visit [peerless-av.com/en-us/patents](http://peerless-av.com/en-us/patents) for patent information.

TECHNICAL DRAWINGS

For expanded product information and technical data visit [peerless-av.com](http://peerless-av.com)



To verify mount compatibility with any display or projector model use MountFinder™ at [peerless-av.com](http://peerless-av.com).

# Outdoor Flat Wall Mount

For 75" Xtreme™ High Bright Outdoor Display (XHB754)

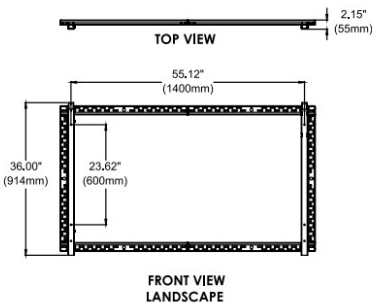
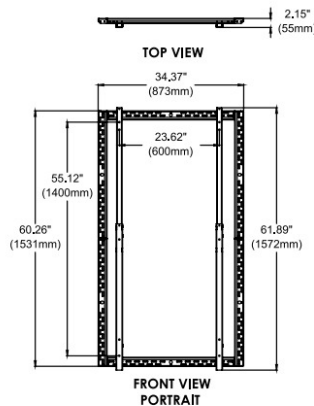
1. Telescoping adaptors allow the XHB754 to be installed in portrait or landscape orientation
2. Universal mounting pattern up to 1400 x 600mm (55.12" x 23.62")
3. Open wall plate allows total wall access, increasing electrical and cable management options
4. Designed specifically for outdoor use and constructed from weatherproof materials
5. Mount includes theft resistant hardware, installed with a security tool
6. Mounts display 2.15" (55mm) from the wall
7. Double stud mounting with 16", 20", 24" and 32" stud placements
8. Wood, concrete or cinder block mounting hardware included



Please visit [peerless-av.com/en-us/patents](http://peerless-av.com/en-us/patents) for patent information.

For expanded product information and technical data visit [peerless-av.com](http://peerless-av.com)

## TECHNICAL DRAWINGS



## OUTDOOR TVS, DISPLAYS & MOUNTS



### MODELS

#### Universal Models:

Includes theft resistant hardware  
**ESF675** 75" Displays Black

### DISPLAY ADAPTOR

Mounting Pattern	(W x H)
	1400 x 600mm (55.12" x 23.62")
	600 x 1400mm (23.62" x 55.12")
VESA® Pattern	Up to 1400 x 600mm

### SPECIFICATIONS

Distance from Wall	2.15" (55mm)
Max Load	200lb (91kg)
Product Dimensions (W x H x D)	60.26" x 36.00" x 2.15" (1531 x 914 x 55mm)
Mounting Surfaces	Wood, concrete or cinder/breeze block
Ship Weight	35lb (15.9kg)

### CERTIFICATIONS

**RoHS**

### ACCESSORIES



**XHB754:**  
 Xtreme™ High Bright  
 Outdoor Displays ..... pg# 12, 15

To verify mount compatibility with any display or projector model use MountFinder™ at [peerless-av.com](http://peerless-av.com).

630-375-5100 | 800-865-2112 | [info@peerless-av.com](mailto:info@peerless-av.com) | [peerless-av.com](http://peerless-av.com)





MODELS

Universal Models:

Includes theft resistant hardware

**ESF686** 65" to 86" Displays Black

DISPLAY ADAPTOR



Mounting Pattern (W x H)

700 x 610mm  
(27.60" x 24.00")



VESA® Pattern

Up to 700 x 600mm

SPECIFICATIONS



Distance from Wall

2.29" (58mm)



Max Load

200lb (90.7kg)

Product Dimensions (W x H x D)

31.08" x 29.53" x 2.29"  
(789 x 750 x 58mm)

Mounting Surfaces

Wood, concrete or  
cinder/breeze block

Ship Weight

21.6lb (9.8kg)

CERTIFICATIONS



ACCESSORIES



XHB653:

Xtreme™ High Bright

Outdoor Displays ..... pg# 12, 14

# Outdoor Flat Wall Mount

For 65" to 86" Outdoor TVs and Displays

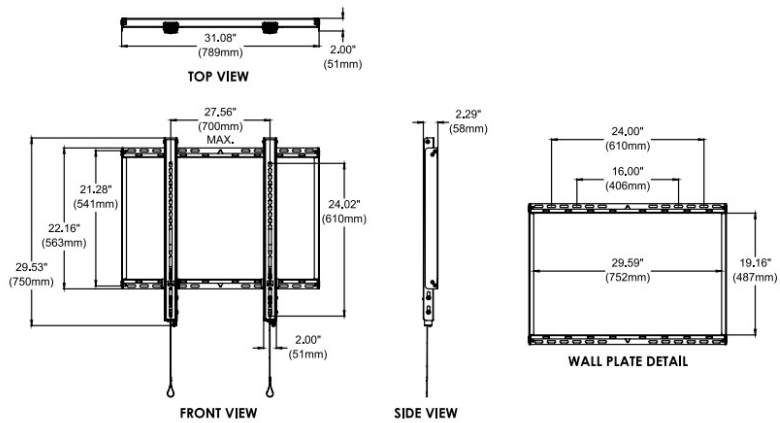
1. Designed specifically for outdoor use and constructed from weatherproof materials
2. Up to 7.4" (189mm) of horizontal positioning
3. Open wall plate allows total wall access, increasing electrical and cable management options
4. Hinged adaptors ease installation of hardware to the rear of the display
5. Pull cords deploy the kickstands and provide access to the rear of the display
6. Security latch locks the pull cords to prevent unauthorized access (security allen wrench required)



Please visit [peerless-av.com/en-us/patents](http://peerless-av.com/en-us/patents) for patent information.

TECHNICAL DRAWINGS

For expanded product information and technical data visit [peerless-av.com](http://peerless-av.com)



To verify mount compatibility with any display or projector model use MountFinder™ at [peerless-av.com](http://peerless-av.com).



630-375-5100 | 800-865-2112



info@peerless-av.com



peerless-av.com

# Outdoor Tilt Wall Mounts - Landscape

For 22" to 40" Displays

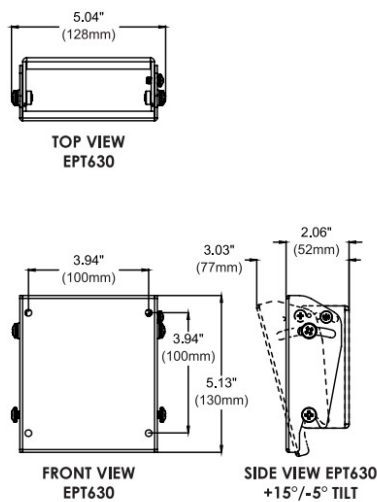
1. Made of corrosion resistant materials for weather resistance
2. Locking tilt allows adjustment of +15/-5° with optional tilt lock in 5° increments
3. Includes theft resistant hardware and padlock holes (Padlock not supplied)



Please visit [peerless-av.com/en-us/patents](http://peerless-av.com/en-us/patents) for patent information.

For expanded product information and technical data visit [peerless-av.com](http://peerless-av.com)

## TECHNICAL DRAWINGS



To verify mount compatibility with any display or projector model use MountFinder™ at [peerless-av.com](http://peerless-av.com).

630-375-5100 | 800-865-2112 | [info@peerless-av.com](mailto:info@peerless-av.com) | [peerless-av.com](http://peerless-av.com)

## OUTDOOR TVS, DISPLAYS & MOUNTS



### MODELS

#### Universal Models:

Includes theft resistant hardware and padlock holes (Padlock not supplied)

Outdoor Universal Tilt Wall Mount - Landscape:  
**EPT630** 22" to 40" Displays Black

### DISPLAY ADAPTOR

Mounting Pattern	(W x H)
	732 x 405mm (28.84" x 15.94")



#### VESA® Pattern

100 x 100mm

### SPECIFICATIONS

Distance from Wall
2.06" (52mm)

Tilt
+15/-5°

Max Load
80lb (36.3kg)

Product Dimensions (W x H x D)
5.04" x 5.13" x 2.06" (128 x 130 x 52mm)

Mounting Surfaces
Wood, concrete or cinder/breeze block

Ship Weight
1.45lb (0.66kg)

### CERTIFICATIONS





**MODELS**

**Universal Models:**

Includes theft resistant hardware and padlock holes (Padlock not supplied)

Outdoor Universal Tilt Wall Mount - Landscape:  
**EPT650** 32" to 75" Displays Black

**DISPLAY ADAPTOR**

	<b>Mounting Pattern (W x H)</b>
	732 x 405mm (28.84" x 15.94")



**VESA® Pattern**

**EPT650:** Up to 600 x 400mm

**SPECIFICATIONS**

	<b>Distance from Wall</b>
	2.64" (67mm)

	<b>Tilt</b>
	+15/-5°

	<b>Max Load</b>
	175lb (79kg)

<b>Product Dimensions (W x H x D)</b>
30.87" x 16.89" x 2.64" (784 x 429 x 67mm)

<b>Mounting Surfaces</b>
Wood, concrete or cinder/breeze block

<b>Ship Weight</b>
10.5lb (5kg)

**CERTIFICATIONS**



**ACCESSORIES**



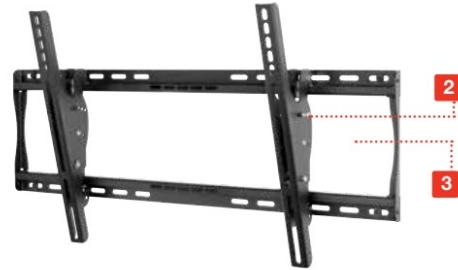
**XHB models: (Landscape only)**  
 Xtreme™ High Bright  
 Outdoor Displays ..... pg# 12-15



**NT models: (Landscape only)**  
 Neptune™ Shade Series  
 Outdoor TVs ..... pg# 16-17

# Outdoor Tilt Wall Mounts - Landscape

For 32" to 75" Displays

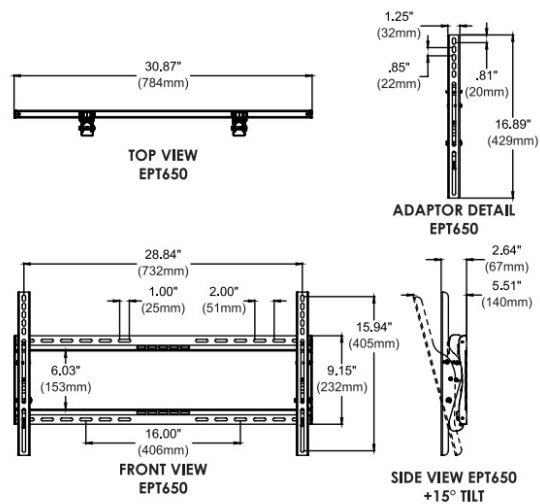


1. Made of corrosion resistant materials for weather resistance
2. Lock the tilt angle in 5° increments for the perfect view and also prevent tampering or undesired adjustment with the IncreLoK™ tilt technology
3. Open wall plate design allows for total wall access, increasing electrical and cable management options
4. Horizontal display adjustment for better display placement
5. Universal display adaptors easily hook onto wall plate for a quick installation
6. Includes theft resistant hardware and padlock holes (Padlock not supplied)

Please visit [peerless-av.com/en-us/patents](http://peerless-av.com/en-us/patents) for patent information.

**TECHNICAL DRAWINGS**

For expanded product information and technical data visit [peerless-av.com](http://peerless-av.com)



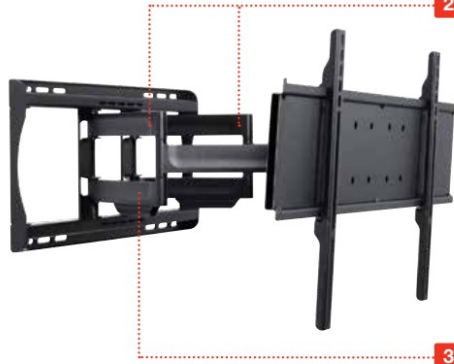
To verify mount compatibility with any display or projector model use MountFinder™ at [peerless-av.com](http://peerless-av.com).



# Outdoor Articulating Wall Mount

For 42" to 75" Displays

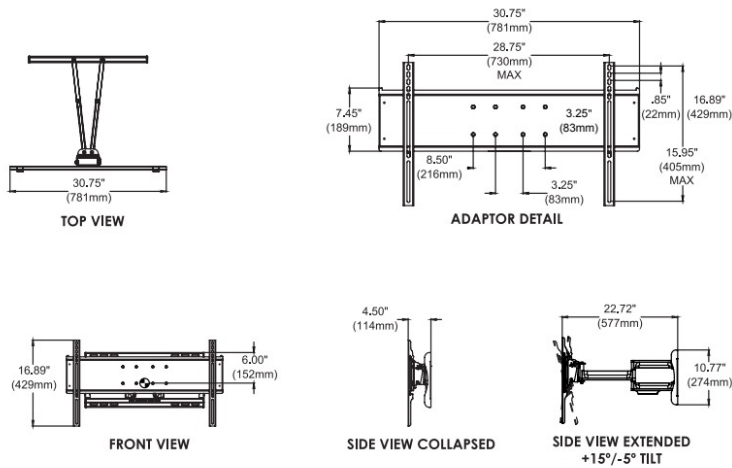
1. Made of corrosion resistant materials for weather resistance
2. Dual arm construction for added strength and smooth motion of larger displays
3. Extends from 4.50" (114mm) to 22.72" (577mm) from the wall
4. Minimalistic wall plate footprint for increased wall access and improved aesthetic
5. Integrated cable management provides ample area to run cables to complete a professional and discrete installation
6. IncreLok™ tilt allows adjustment of +15°/-5°



Please visit [peerless-av.com/en-us/patents](http://peerless-av.com/en-us/patents) for patent information.

For expanded product information and technical data visit [peerless-av.com](http://peerless-av.com)

## TECHNICAL DRAWINGS



To verify mount compatibility with any display or projector model use MountFinder™ at [peerless-av.com](http://peerless-av.com).

630-375-5100 | 800-865-2112 | [info@peerless-av.com](mailto:info@peerless-av.com) | [peerless-av.com](http://peerless-av.com)

## OUTDOOR TVS, DISPLAYS & MOUNTS



### MODELS

#### Universal Models:

Includes theft resistant hardware for attaching display to mount  
**EPA762PU** Black

### DISPLAY ADAPTOR

	<b>Mounting Pattern</b> (W x H)
	Universal Models: 730 x 405mm (28.75" x 15.95")
	<b>VESA® Pattern</b>
	Universal Models: Up to 600 x 400mm

### SPECIFICATIONS

	<b>Distance from Wall</b>
	4.50"-22.72" (114-577mm)
	<b>Tilt   Swivel   Roll</b>
	+15/-5°   ±90°
	<b>Max Load</b>
	150lb (68kg)
	<b>Product Dimensions</b> (W x H x D)
	30.75" x 16.89" x 4.50"-22.72" (781 x 429 x 114-577mm)
	<b>Mounting Surfaces</b>
	Wood stud, concrete and cinder/breeze block
	<b>Ship Weight</b>
	29.3lb (13.3kg)

### CERTIFICATIONS



### ACCESSORIES

- XHB554: (Landscape only)**  
Xtreme™ High Bright Outdoor Displays..... pg# 12-13
- NT models: (Landscape only)**  
Neptune™ Shade Series Outdoor TVs..... pg# 16-17



MODELS

Universal Models:

Includes theft resistant hardware for attaching display to mount  
**ESA763PU** Black

DISPLAY ADAPTOR



Mounting Pattern (W x H)

Universal Models: 730 x 405mm  
 (28.74" x 15.94")



VESA® Pattern

Universal Models: Up to 600 x 400mm

SPECIFICATIONS



Distance from Wall

4.44"-27.94" (113-710mm)



Tilt | Swivel | Roll

+15/-5° | ±90°



Max Load

200lb (91kg)

Product Dimensions (W x H x D)

ESA763PU: 30.75" x 19.92" x 4.44"-27.94"  
 (781 x 506 x 113-710mm)

Mounting Surfaces

Wood stud, concrete and cinder/breeze block

Ship Weight

42.7lb (19.4kg)

CERTIFICATIONS



RoHS



TAA COMPLIANT

ACCESSORIES



XHB models: (Landscape only)

Xtreme™ High Bright  
 Outdoor Displays ..... pg# 12-14



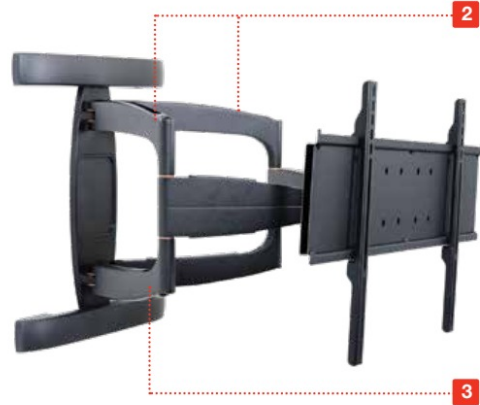
NT models: (Landscape only)

Neptune™ Shade Series  
 Outdoor TVs..... pg# 16-17

# Outdoor Articulating Wall Mounts

For 42" to 80" Displays

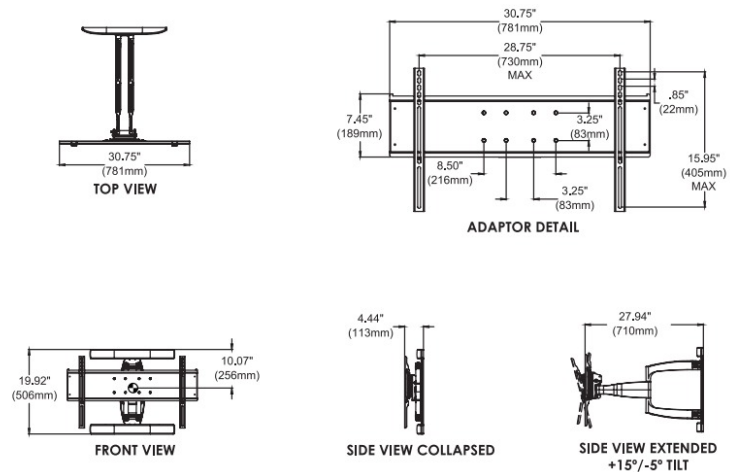
1. Made of corrosion resistant materials for weather resistance
2. Dual arm construction for added strength and smooth motion on larger displays
3. Extends from 4.44" (113mm) to 27.94" (710mm) from the wall
4. Minimalistic wall plate footprint for increased wall access and improved aesthetic
5. Integrated cable management provides ample area to run cables to complete a professional and discrete installation
6. IncreLok™ tilt allows adjustment of +15°/-5°
7. Includes theft resistant hardware for attaching display to mount



Please visit [peerless-av.com/en-us/patents](http://peerless-av.com/en-us/patents) for patent information.

TECHNICAL DRAWINGS

For expanded product information and technical data visit [peerless-av.com](http://peerless-av.com)



To verify mount compatibility with any display or projector model use MountFinder™ at [peerless-av.com](http://peerless-av.com).



630-375-5100 | 800-865-2112



info@peerless-av.com



peerless-av.com

# Wind Rated Tilt Wall Mount

## For 32" to 65" Outdoor Displays

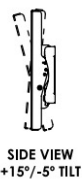
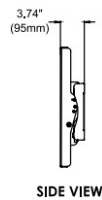
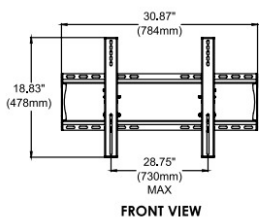
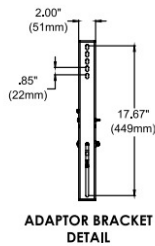
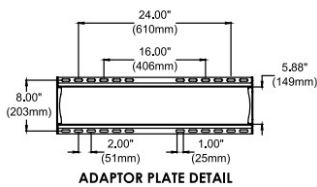
1. Wind rated up to 110mph when fixed tilt mechanism is engaged
2. Designed specifically for outdoor use and constructed from weatherproof materials
3. Easy tilt settings allow for the perfect viewing angle
4. Hook-and-Hang™ design makes installation quick and easy
5. Includes theft resistant hardware for attaching display to socket pin



Please visit [peerless-av.com/en-us/patents](http://peerless-av.com/en-us/patents) for patent information.

For expanded product information and technical data visit [peerless-av.com](http://peerless-av.com)

### TECHNICAL DRAWINGS



To verify mount compatibility with any display or projector model use MountFinder™ at [peerless-av.com](http://peerless-av.com).

630-375-5100 | 800-865-2112 | [info@peerless-av.com](mailto:info@peerless-av.com) | [peerless-av.com](http://peerless-av.com)

### OUTDOOR TVS, DISPLAYS & MOUNTS



### MODELS

#### Universal Models:

Includes theft resistant hardware for attaching display to socket pin  
**EWMU** Black

### DISPLAY ADAPTOR

Mounting Pattern (W x H)
Universal Models: 730 x 449mm (28.75" x 17.67")
VESA® Pattern
Universal Models: Up to 600 x 400mm

### SPECIFICATIONS

	<b>Distance from Wall</b>	3.75" (95mm)
	<b>Tilt</b>	+15/-5°
	<b>Fixed Tilt</b>	0°, 2°, 5°, 10°, 15°
	<b>Max Load</b>	200lb (91kg)
	<b>Product Dimensions (W x H x D)</b>	30.87" x 18.83" x 3.74" (784 x 478 x 95mm)
	<b>Mounting Surfaces</b>	Wood stud, concrete and cinder/breeze block
	<b>Ship Weight</b>	20lb (9kg)

### CERTIFICATIONS



### ACCESSORIES



#### XHB models: (Landscape only)

Xtreme™ High Bright  
 Outdoor Displays..... pg# 12-13





MODELS

Universal Models:

Includes theft resistant hardware and padlock holes (Padlock not supplied)

**ECMUA** 43" to 75" TVs Black

DISPLAY ADAPTOR



VESA® Pattern

Up to 400 x 400mm\*

\*Up to 600 x 400mm with optional EPT650

SPECIFICATIONS



InceLok™ Tilt | Swivel

-5°, 0°, 5°, 10°, 15° or 20° | 360°



Max Load

175lb (79.4kg)

Product Dimensions (W x H x D)

13.04" x 32.50"-54.50" x 8.29"  
(784 x 429 x 67mm)

Mounting Surfaces

Wood stud or concrete

Ship Weight

37.2lb (16.9kg)

CERTIFICATIONS



ACCESSORIES



**XHB models\*:**  
Xtreme™ High Bright  
Outdoor Displays ..... pg# 12-14



**NT models: (Landscape only)**  
Neptune™ Shade Series  
Outdoor TVs ..... pg# 16-17

\*XHB653 compatible using  
EPT650 accessory (not included)

# Neptune™ Outdoor TV Ceiling Mount

For 43" to 75" TVs

1. Corrosion resistant design and stainless steel hardware included
2. Dedicated mounting pattern accommodates 100 x 100, 200 x 100, 200 x 200, 300 x 200, 300 x 300, 400 x 200, 400 x 300 and 400 x 400mm VESA® mounting patterns (Optional EPT650 provides up to 600 x 400mm VESA® pattern, sold separately)
3. Cathedral Ceiling Plate can attach to 0° to 95° angled ceiling structures
4. InceLok™ tilt of -5°, 0°, 5°, 10°, 15° or 20° ensures the ideal viewing area
5. 360° of side-to-side swivel creates endless viewing possibilities
6. Adjustable extension column provides 32.5" to 54.5" (826 to 1384mm) of vertical adjustment
7. Internal cable management easily route all cabling through the extension column for a clean and neat installation
8. Compatible with Peerless-AV® Xtreme™ High Bright Outdoor Displays
  - XHB554
  - XHB653\*

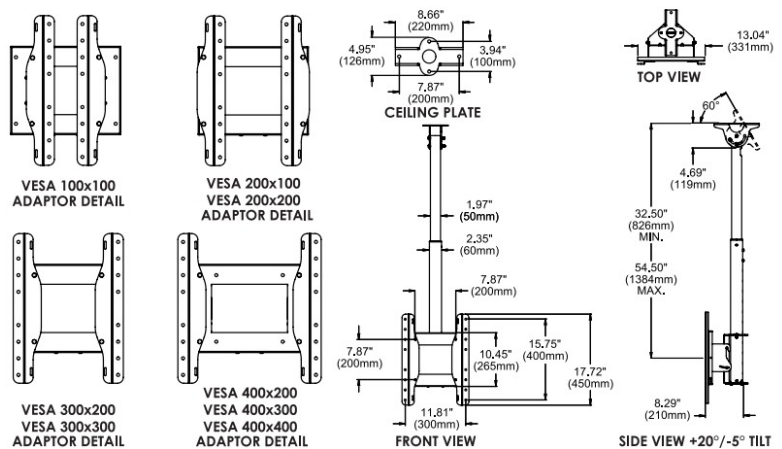
*\*Compatible using EPT650 accessory (not included)*



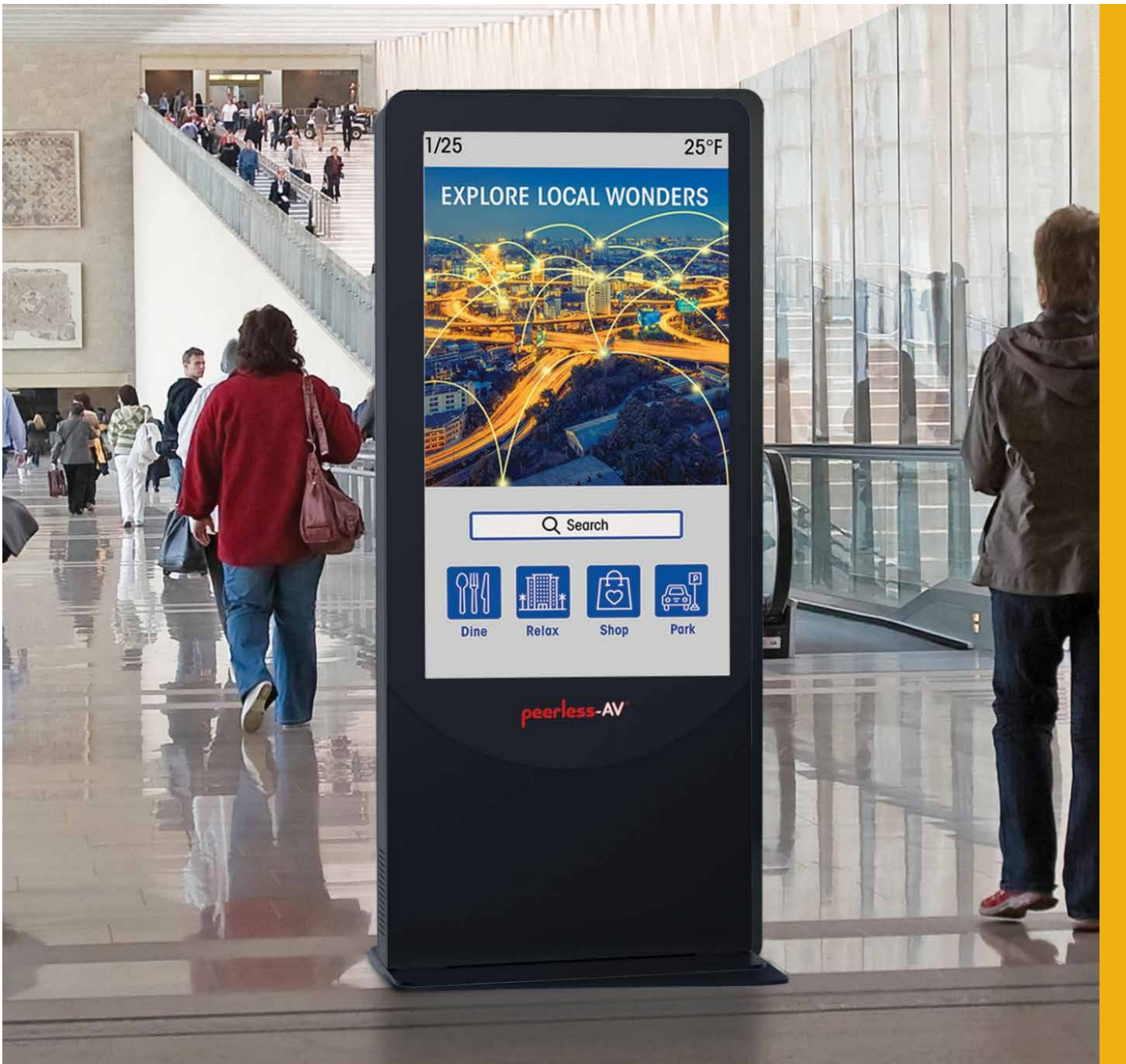
Please visit [peerless-av.com/en-us/patents](http://peerless-av.com/en-us/patents) for patent information.

TECHNICAL DRAWINGS

For expanded product information and technical data visit [peerless-av.com](http://peerless-av.com)



To verify mount compatibility with any display or projector model use MountFinder™ at [peerless-av.com](http://peerless-av.com).



# KIOSKS

---

# No matter what your kiosk needs are, **WE'VE GOT YOU COVERED**



Imagine a simple solution that grabs the attention of your audiences. Well, you don't have to imagine it anymore, Peerless-AV® has created it. We are everywhere innovative, flexible and high-quality digital content is needed, pushing the boundaries of what anyone thought possible.

No matter what your kiosks needs are, from fully integrated to interactive to weather resistant kiosks, we've got you covered.

**peerless-AV®**  
*Driving Technology Through Innovation*





**INDOOR KIOSKS**

- KIPC2540/2542/2543/2546/2547/2548/2549/2550/2555/2565(-S) Models**  
 Portrait Kiosk  
 Fits most 40", 42", 43", 46", 47", 48", 49", 50", 55" and 65" Displays  
 less than 4.00" (101mm) deep ..... pg# 30
- KIPC2540B/2542B/2543B/2546B/2547B/2548B/2549B/2550B/2555B/2565B(-S) Models**  
 Portrait Back-to-Back Kiosk  
 Fits most 40", 42", 43", 46", 47", 48", 49", 50", 55" and 65" Displays  
 less than 1.81" (46mm) deep ..... pg# 31
- KIPC2555B(-S)-3/2565B(-S)-3 Models**  
 Portrait Back-to-Back Kiosk  
 Fits most 55" and 65" Displays  
 less than 3.00" (76mm) deep ..... pg# 32
- KIP522(-S) Models**  
 Landscape/Portrait Kiosk  
 Fits most 15", 22", or 32" Displays ..... pg# 33
- KILH540/542/543/546/547/549/550/555(-S) Models**  
 Landscape Kiosk  
 Fits most 40", 42", 43", 46", 47", 48", 49", 50" and 55" Displays  
 less than 3.50" (89mm) deep ..... pg# 34
- KIL640/642/643/646/647/648/649/655(-S)-35D Models**  
 Wall Kiosk - Landscape  
 Fits 40", 42", 43", 46", 47", 48", 49" and 55"  
 Displays less than 3.5" (89mm) deep ..... pg# 35
- KIL640/642/643/646/647/648/649/655(-S) Models**  
 Wall Kiosk - Landscape  
 Fits 40", 42", 43", 46", 47", 48", 49" and 55"  
 Displays less than 2.00" (50mm) deep ..... pg# 36
- KIP640/642/643/646/647/648/649/655(-S) Models**  
 Wall Kiosk - Portrait  
 Fits 40", 42", 43", 46", 47", 48", 49" and 55"  
 Displays less than 2.00" (50mm) deep ..... pg# 37



**INDOOR KIOSKS**

- .....continued
- KIL740/742/743/746/747/748/749/755(-S) Models**  
 In-Wall Kiosk - Landscape  
 Fits 40", 42", 43", 46", 47", 48", 49" and 55"  
 Displays less than 3.10" (78mm) deep ..... pg# 38
- KIP740/742/743/746/747/748/749/755(-S) Models**  
 In-Wall Kiosk - Portrait  
 Fits 40", 42", 43", 46", 47", 48", 49" and 55"  
 Displays less than 3.10" (78mm) deep ..... pg# 39
- KLR62232/KLR64255**  
 Ligature Resistant Display Enclosure  
 For 22", 26", 32", 42" & 55" Displays ..... pg# 40

**OUTDOOR KIOSKS**

- KOP55XHB(-S)/KOP55XHB(-S)A Models**  
 Smart City Kiosk  
 Includes 55" Xtreme™  
 High Bright Outdoor Display ..... pg# 41
- KOP55XHB2(-S)/KOP55XHB2(-S)A Models**  
 Dual-Sided Smart City Kiosk  
 Includes (2) 55" Xtreme™  
 High Bright Outdoor Displays ..... pg# 42
- KOF555-1/KOF555-2/KOF555-3**  
 Outdoor Digital Menu Boards  
 Support 55" Peerless-AV® XHB554  
 and LG 55XE4F Outdoor Display(s) ..... pg# 43
- KOF-OPT-SPK**  
 Speaker/Microphone Kit  
 For KOF555-1/KOF555-2/KOF555-3 ..... pg# 44
- KOF-OPT-FAN**  
 Media Player Storage Fan  
 For KOF555-1/KOF555-2/KOF555-3 ..... pg# 44
- KOF-OPT-SHELF**  
 Internal Media Player Shelf  
 For KOF555-1/KOF555-2/KOF555-3 ..... pg# 44
- KOF-OPT-ELECTRICAL**  
 Power Distribution Unit  
 For KOF555-1/KOF555-2/KOF555-3 ..... pg# 44



KIOSKS

INDOOR  
KIOSKS



MODELS

Universal Models:

For displays less than 4.00" 101mm deep

<b>KIPC2540(-S)</b>	40" Displays	Gloss black/Silver
<b>KIPC2542(-S)</b>	42" Displays	Gloss black/Silver
<b>KIPC2543(-S)</b>	43" Displays	Gloss black/Silver
<b>KIPC2546(-S)</b>	46" Displays	Gloss black/Silver
<b>KIPC2547(-S)</b>	47" Displays	Gloss black/Silver
<b>KIPC2548(-S)</b>	48" Displays	Gloss black/Silver
<b>KIPC2549(-S)</b>	49" Displays	Gloss black/Silver
<b>KIPC2550(-S)</b>	50" Displays	Gloss black/Silver
<b>KIPC2555(-S)</b>	55" Displays	Gloss black/Silver
<b>KIPC2565(-S)</b>	65" Displays	Gloss black/Silver

SPECIFICATIONS



Max Load

<b>KIPC2540-2555(-S):</b>	125lb (56kg)
<b>KIPC2565(-S):</b>	150lb (110kg)

Product Dimensions (W x H x D)

<b>KIPC2540/2542/2543(-S):</b>	28.00" x 72.20" x 18.00" (711 x 1834 x 457mm)
<b>KIPC2546/2547/2548(-S):</b>	31.00" x 72.20" x 18.00" (787 x 1834 x 457mm)
<b>KIPC2549/2550/2555(-S):</b>	34.00" x 78.20" x 19.00" (864 x 1986 x 483mm)
<b>KIPC2565(-S):</b>	40.00" x 86.36" x 21.00" (1016 x 2194 x 533mm)

Storage Space (W x H x D)

<b>KIPC2540/2542/2543(-S):</b>	27.00" x 15.00" x 3.70" (686 x 381 x 94mm)
<b>KIPC2546/2547/2548(-S):</b>	30.00" x 15.00" x 3.70" (762 x 381 x 94mm)
<b>KIPC2549/2550/2555(-S):</b>	33.00" x 15.00" x 3.70" (838 x 381 x 94mm)
<b>KIPC2565(-S):</b>	39.00" x 15.00" x 3.70" (991 x 381 x 94mm)

Mounting Surfaces

Flat, solid floor surfaces

Ship Weight

<b>KIPC2540(-S):</b>	201lb (91kg)
<b>KIPC2542(-S):</b>	200lb (91kg)
<b>KIPC2543(-S):</b>	199lb (90kg)
<b>KIPC2546(-S):</b>	209lb (95kg)
<b>KIPC2547(-S):</b>	208lb (94kg)
<b>KIPC2548(-S):</b>	208lb (94kg)
<b>KIPC2549(-S):</b>	246lb (112kg)
<b>KIPC2550(-S):</b>	246lb (112kg)
<b>KIPC2555(-S):</b>	246lb (112kg)
<b>KIPC2565(-S):</b>	303lb (137kg)

CERTIFICATIONS



**RoHS** COMPLIANT  
**TAA** COMPLIANT

ACCESSORIES

Custom Kiosk

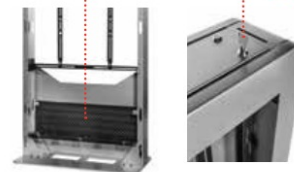


Stereo Speaker System with Amplifier  
Logitech Webcameras  
Clear or Non-glare Tempered Glass  
Clear or Non-glare Polycarbonate  
Logos And Graphics

# Portrait Kiosk

Fits most 40", 42", 43", 46", 47", 48", 49", 50", 55" and 65" Displays  
less than 4.00" (101mm) deep

1. Designed with architectural steel and a 3/8" steel base plate that provides stability, strength and corrosion resistance
2. Whisper-quiet, thermostat controlled exhaust fans assist in keeping internal components at an optimal temperature
3. Six outlet, UL- and cUL-approved surge suppressor with 6' cord to protect voltage-sensitive components from damaging power surges
4. Internal micro-adjustments allow for quick positioning of display within the kiosk window for flush alignment
5. Internal component tray to store media player and cables neatly for a professional finish
6. Secured doors allow convenient access to the display, media player and other internal components for easy installation and maintenance
7. High-performance, premium powder coat finish protects the unit and extends the product lifespan for years
8. Stand-alone or fully integrated with display, audio components, media player and input components
9. A wide range of custom aesthetic options also available; options include custom color finishes, vinyl logos, wraps, etc.

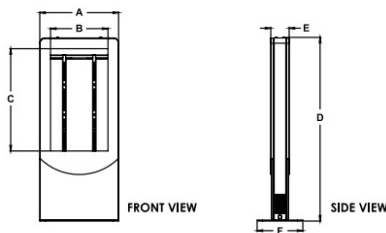


Note: Kiosk enclosure does not include cover glass

Please visit [peerless-av.com/en-us/patents](http://peerless-av.com/en-us/patents) for patent information.

TECHNICAL DRAWINGS

For expanded product information and technical data visit [peerless-av.com](http://peerless-av.com)



MODEL NO.	DIMENSION "A"	DIMENSION "B"	DIMENSION "C"	DIMENSION "D"	DIMENSION "E"	DIMENSION "F"
<b>KIPC2540</b>	28.00" (711mm)	19.67" (500mm)	34.97" (889mm)	72.24" (1835mm)	7.14" (181mm)	18.00" (457mm)
<b>KIPC2542</b>	28.00" (711mm)	20.65" (525mm)	36.72" (933mm)	72.24" (1835mm)	7.14" (181mm)	18.00" (457mm)
<b>KIPC2543</b>	28.00" (711mm)	21.13" (537mm)	37.59" (955mm)	72.24" (1835mm)	7.14" (181mm)	18.00" (457mm)
<b>KIPC2546</b>	31.00" (787mm)	22.61" (574mm)	40.20" (1021mm)	72.24" (1835mm)	7.20" (183mm)	18.00" (457mm)
<b>KIPC2547</b>	31.00" (787mm)	23.10" (587mm)	41.07" (1043mm)	72.24" (1835mm)	7.20" (183mm)	18.00" (457mm)
<b>KIPC2548</b>	31.00" (787mm)	23.57" (599mm)	41.96" (1066mm)	72.24" (1835mm)	7.20" (183mm)	18.00" (457mm)
<b>KIPC2549</b>	34.00" (864mm)	24.15" (613mm)	42.78" (1087mm)	78.24" (1987mm)	7.20" (183mm)	19.00" (483mm)
<b>KIPC2550</b>	34.00" (864mm)	24.63" (626mm)	43.66" (1109mm)	78.24" (1987mm)	7.20" (183mm)	19.00" (483mm)
<b>KIPC2555</b>	34.00" (864mm)	27.03" (686mm)	48.05" (1220mm)	78.24" (1987mm)	7.20" (183mm)	19.00" (483mm)
<b>KIPC2565</b>	40.00" (1016mm)	32.00" (813mm)	56.73" (1441mm)	86.36" (2194mm)	7.20" (183mm)	21.00" (533mm)

To verify mount compatibility with any display or projector model use MountFinder™ at [peerless-av.com](http://peerless-av.com).

630-375-5100 | 800-865-2112 | [info@peerless-av.com](mailto:info@peerless-av.com) | [peerless-av.com](http://peerless-av.com)



# Portrait Back-to-Back Kiosk

Fits most 40", 42", 43", 46", 47", 48", 49", 50", 55" and 65" Displays less than 1.81" (46mm) deep

1. Designed with architectural steel and a 3/8" steel base plate that provides stability, strength and corrosion resistance
2. Whisper-quiet, thermostat controlled exhaust fans assist in keeping internal components at an optimal temperature
3. Six outlet, UL- and cUL-approved surge suppressor with 6' cord to protect voltage-sensitive components from damaging power surges
4. Internal micro-adjustments allow for quick positioning of display within the kiosk window for flush alignment
5. Internal component tray to store media player and cables neatly for a professional finish
6. Secured doors allow convenient access to the display, media player and other internal components for easy installation and maintenance
7. High-performance, premium powder coat finish protects the unit and extends the product lifespan for years
8. Stand-alone or fully integrated with display, audio components, media player and input components
9. A wide range of custom aesthetic options also available; options include custom color finishes, vinyl logos, wraps, etc.

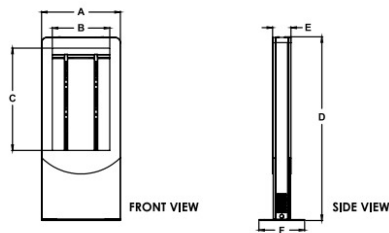


Note: Kiosk enclosure does not include cover glass

Please visit [peerless-av.com/en-us/patents](http://peerless-av.com/en-us/patents) for patent information.

For expanded product information and technical data visit [peerless-av.com](http://peerless-av.com)

## TECHNICAL DRAWINGS



MODEL NO.	DIMENSION "A"	DIMENSION "B"	DIMENSION "C"	DIMENSION "D"	DIMENSION "E"	DIMENSION "F"
KIPC2540B	28.00" (711mm)	19.67" (500mm)	34.97" (888mm)	72.24" (1835mm)	7.14" (181mm)	18.00" (457mm)
KIPC2542B	28.00" (711mm)	20.65" (525mm)	36.72" (933mm)	72.24" (1835mm)	7.14" (181mm)	18.00" (457mm)
KIPC2543B	28.00" (711mm)	21.13" (537mm)	37.59" (955mm)	72.24" (1835mm)	7.14" (181mm)	18.00" (457mm)
KIPC2546B	31.00" (787mm)	22.61" (574mm)	40.20" (1021mm)	72.24" (1835mm)	7.20" (183mm)	18.00" (457mm)
KIPC2547B	31.00" (787mm)	23.10" (587mm)	41.07" (1043mm)	72.24" (1835mm)	7.20" (183mm)	18.00" (457mm)
KIPC2548B	31.00" (787mm)	23.57" (599mm)	41.96" (1066mm)	72.24" (1835mm)	7.20" (183mm)	18.00" (457mm)
KIPC2549B	34.00" (864mm)	24.15" (613mm)	42.78" (1087mm)	78.24" (1987mm)	7.20" (183mm)	19.00" (483mm)
KIPC2550B	34.00" (864mm)	24.63" (626mm)	43.66" (1109mm)	78.24" (1987mm)	7.20" (183mm)	19.00" (483mm)
KIPC2555B	34.00" (864mm)	27.03" (686mm)	48.05" (1220mm)	78.24" (1987mm)	7.20" (183mm)	19.00" (483mm)
KIPC2565B	40.00" (1016mm)	32.00" (813mm)	56.73" (1441mm)	86.36" (2194mm)	7.20" (183mm)	21.00" (533mm)

To verify mount compatibility with any display or projector model use MountFinder™ at [peerless-av.com](http://peerless-av.com).

630-375-5100 | 800-865-2112 | [info@peerless-av.com](mailto:info@peerless-av.com) | [peerless-av.com](http://peerless-av.com)

## KIOSKS



INDOOR  
KIOSKS

## MODELS

### Universal Models:

For displays up to 1.81" (46mm) thick

KIPC2540B(-S)	40" Displays	Gloss black/Silver
KIPC2542B(-S)	42" Displays	Gloss black/Silver
KIPC2543B(-S)	43" Displays	Gloss black/Silver
KIPC2546B(-S)	46" Displays	Gloss black/Silver
KIPC2547B(-S)	47" Displays	Gloss black/Silver
KIPC2548B(-S)	48" Displays	Gloss black/Silver
KIPC2549B(-S)	49" Displays	Gloss black/Silver
KIPC2550B(-S)	50" Displays	Gloss black/Silver
KIPC2555B(-S)	55" Displays	Gloss black/Silver
KIPC2565B(-S)	65" Displays	Gloss black/Silver

## SPECIFICATIONS



### Max Load

125lb (56kg)

### Product Dimensions (W x H x D)

KIPC2540B/2542B/2543B(-S):	28.00" x 72.24" x 18.00" (711 x 1835 x 457mm)
KIPC2546B/2547B/2548B(-S):	31.00" x 72.24" x 18.00" (787 x 1835 x 457mm)
KIPC2549B/2550B/2555B(-S):	34.00" x 78.24" x 19.00" (864 x 1987 x 483mm)
KIPC2565B(-S):	40.00" x 86.36" x 21.00" (1016 x 2194 x 533mm)

### Storage Space (W x H x D)

KIPC2540B/2542B/2543B(-S):	27.00" x 15.00" x 5.50" (686 x 381 x 140mm)
KIPC2546B/2547B/2548B(-S):	30.00" x 15.00" x 5.50" (762 x 381 x 140mm)
KIPC2549B/2550B/2555B(-S):	33.00" x 15.00" x 5.50" (838 x 381 x 140mm)
KIPC2565B(-S):	33.00" x 15.00" x 5.50" (838 x 381 x 140mm)

### Mounting Surfaces

Flat, solid floor surfaces

### Ship Weight

KIPC2540B(-S):	199lb (90kg)
KIPC2542B(-S):	196lb (89kg)
KIPC2543B(-S):	195lb (88kg)
KIPC2546B(-S):	204lb (93kg)
KIPC2547B(-S):	203lb (92kg)
KIPC2548B(-S):	201lb (91kg)
KIPC2549B(-S):	230lb (104kg)
KIPC2550B(-S):	229lb (104kg)
KIPC2555B(-S):	221lb (100kg)
KIPC2565B(-S):	283lb (128kg)

## CERTIFICATIONS



RoHS

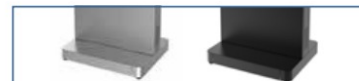
TAA COMPLIANT

## ACCESSORIES

### Custom Kiosk



Stereo Speaker System with Amplifier  
Logitech Webcams  
Clear or Non-glare Tempered Glass  
Clear or Non-glare Polycarbonate  
Logos And Graphics



Wheel Base KIPC25B(-S)-WHL models available for 49", 50" and 55" Displays

Visit [peerless-av.com](http://peerless-av.com) to learn more.



KIOSKS



MODELS

Universal Models:

For displays less than 3.00" (76mm) deep

<b>KIPC2555B(-S)-3</b>	55" Displays	Gloss black/Silver
<b>KIPC2565B(-S)-3</b>	65" Displays	Gloss black/Silver

SPECIFICATIONS



Max Load

125lb (56kg)

Product Dimensions (W x H x D)

<b>KIPC2555B(-S)-3</b>	34.00" x 78.24" x 19.00" (864 x 1987 x 483mm)
<b>KIPC2565B(-S)-3</b>	40.00" x 86.36" x 21.00" (1016 x 2194 x 533mm)

Storage Space (W x H x D)

<b>KIPC2555B(-S)-3</b>	33.00" x 15.00" x 5.50" (838 x 381 x 140mm)
<b>KIPC2565B(-S)-3</b>	33.00" x 15.00" x 5.50" (838 x 381 x 140mm)

Mounting Surfaces

Flat, solid floor surfaces

Ship Weight

<b>KIPC2555B(-S)-3</b>	221lb (100kg)
<b>KIPC2565B(-S)-3</b>	283lb (128kg)

CERTIFICATIONS



**RoHS** COMPLIANT  
**TAA** COMPLIANT

ACCESSORIES

Custom Kiosk



Hdmi and Component Video Cables  
Clear or Non-glare Tempered Glass  
Clear or Non-glare Polycarbonate  
Logos and Graphics



Wheel Base KIPC2555B(-S)-3-WHL models available for 55" Displays  
Visit [peerless-av.com](http://peerless-av.com) to learn more.

# Portrait Back-to-Back Kiosk

Fits most 55" and 65" Displays less than 3.00" (76mm) deep

1. Designed with architectural steel and a 3/8" steel base plate that provides stability, strength and corrosion resistance
2. Whisper-quiet, thermostat controlled exhaust fans assist in keeping internal components at an optimal temperature
3. Six outlet, UL- and cUL-approved surge suppressor with 6' cord to protect voltage-sensitive components from damaging power surges
4. Internal micro-adjustments allow for quick positioning of display within the kiosk window for flush alignment
5. Internal component tray to store media player and cables neatly for a professional finish
6. Secured doors allow convenient access to the display, media player and other internal components for easy installation and maintenance
7. High-performance, premium powder coat finish protects the unit and extends the product lifespan for years
8. Stand-alone or fully integrated with display, audio components, media player and input components
9. A wide range of custom aesthetic options also available; options include custom color finishes, vinyl logos, wraps, etc.

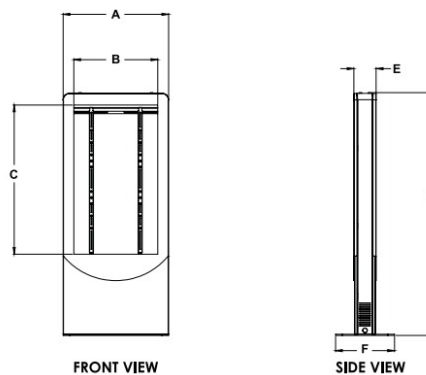


Note: Kiosk enclosure does not include cover glass

Please visit [peerless-av.com/en-us/patents](http://peerless-av.com/en-us/patents) for patent information.

TECHNICAL DRAWINGS

For expanded product information and technical data visit [peerless-av.com](http://peerless-av.com)



MODEL NO.	DIMENSION "A"	DIMENSION "B"	DIMENSION "C"	DIMENSION "D"	DIMENSION "E"	DIMENSION "F"
<b>KIPC2555B-3</b>	34.00" (864mm)	27.03" (686mm)	48.05" (1220mm)	78.24" (1987mm)	10.30" (261.62mm)	19.00" (483mm)
<b>KIPC2565B-3</b>	40.00" (1016mm)	32.00" (813mm)	56.73" (1441mm)	86.36" (2194mm)	10.30" (261.62mm)	21.00" (533mm)

To verify mount compatibility with any display or projector model use MountFinder™ at [peerless-av.com](http://peerless-av.com).

# Landscape/Portrait Kiosk

Fits most 15", 22" or 32" Displays

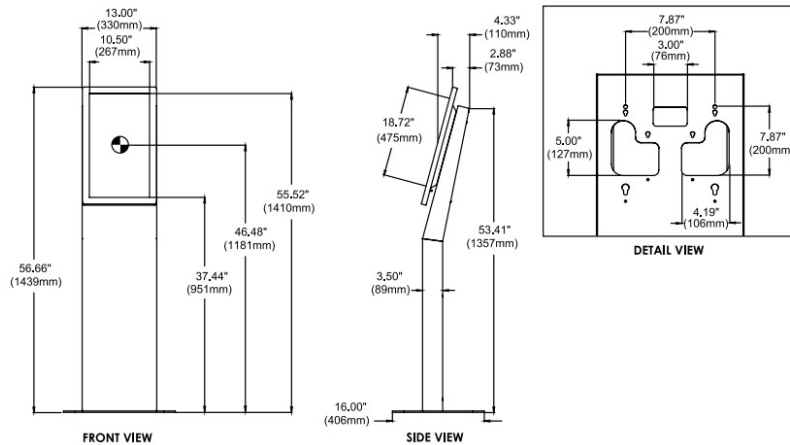
1. Mount the display in landscape or portrait orientation to fit your digital signage needs
2. Stylish kiosk body allows for the ultimate placement flexibility
3. High-performance, premium powder coat finish protects the unit and extends the product lifespan for years
4. Internal storage safely store media players, routers and other components
5. Internal cable management creates an aesthetically pleasing appearance
6. Secured rear doors deters theft and allows convenient access to the display and other internal components for easy maintenance
7. Flat rectangular base unobtrusive, stylish design can be free-standing or bolted to the floor for increased safety and security
8. A wide range of custom aesthetic options also available; options include custom color finishes, vinyl logos, wraps, etc.
9. Six outlet, UL- and cUL-approved surge suppressor with 6' cord to protect voltage-sensitive components from damaging power surges
10. Stand-alone or fully integrated with display, audio components, media player and input components



Please visit [peerless-av.com/en-us/patents](http://peerless-av.com/en-us/patents) for patent information.

For expanded product information and technical data visit [peerless-av.com](http://peerless-av.com)

## TECHNICAL DRAWINGS



To verify mount compatibility with any display or projector model use MountFinder™ at [peerless-av.com](http://peerless-av.com).

630-375-5100 | 800-865-2112 | [info@peerless-av.com](mailto:info@peerless-av.com) | [peerless-av.com](http://peerless-av.com)

## KIOSKS



INDOOR  
KIOSKS

### MODELS

Universal Models:

**KIP522** Gloss Black  
**KIP522-S** Truillusion Silver

### DISPLAY ADAPTOR



VESA® Pattern

Universal Models: 100 x 100mm & 200 x 200mm

### SPECIFICATIONS



Max Load

15lb (6.80kg)

Product Dimensions (W x H x D)

13.00" x 53.41" x 16.00"  
(333 x 1357 x 406mm)

Mounting Surfaces

Flat, solid floor surfaces

Ship Weight

120lb (54kg)

### CERTIFICATIONS

RoHS

FC

CE

TAA



MADE IN USA

### ACCESSORIES

Custom Kiosk



Clear or Non-glare Tempered Glass  
Clear or Non-glare Polycarbonate  
Logos And Graphics

KIOSKS

INDOOR  
KIOSKS



MODELS

Universal Models:

For displays less than 3.50" (89mm) deep

<b>KILH540(-S)</b>	40" Displays	Gloss black/Silver
<b>KILH542(-S)</b>	42" Displays	Gloss black/Silver
<b>KILH543(-S)</b>	43" Displays	Gloss black/Silver
<b>KILH546(-S)</b>	46" Displays	Gloss black/Silver
<b>KILH547(-S)</b>	47" Displays	Gloss black/Silver
<b>KILH548(-S)</b>	48" Displays	Gloss black/Silver
<b>KILH549(-S)</b>	49" Displays	Gloss black/Silver
<b>KILH550(-S)</b>	50" Displays	Gloss black/Silver
<b>KILH555(-S)</b>	55" Displays	Gloss black/Silver

DISPLAY ADAPTOR



VESA® Pattern

Universal Models: 700 x 400mm

SPECIFICATIONS



Max Load

75lb (34kg)

Product Dimensions (W x H x D)

<b>KILH540/542/543(-S):</b>	41.86" x 53.61" x 18.50" (1063 x 1362 x 470mm)
<b>KILH546/547/548(-S):</b>	46.22" x 54.72" x 18.50" (1174 x 1390 x 470mm)
<b>KILH549/550(-S):</b>	48.09" x 55.04" x 18.50" (1221 x 1398 x 470mm)
<b>KILH555(-S):</b>	48.09" x 56.15" x 18.50" (1332 x 1426 x 470mm)

Storage Space (W x H x D)

8.50" x 12.50" x 4.00"  
(215 x 317 x 101mm)

Mounting Surfaces

Flat, solid floor surfaces

Ship Weight

<b>KILH540(-S):</b>	182lb (83kg)
<b>KILH542(-S):</b>	185lb (84kg)
<b>KILH543(-S):</b>	186lb (84kg)
<b>KILH546(-S):</b>	193lb (88kg)
<b>KILH547(-S):</b>	193lb (88kg)
<b>KILH548(-S):</b>	193lb (88kg)
<b>KILH549(-S):</b>	197lb (89kg)

CERTIFICATIONS



RoHS

TAA COMPLIANT

ACCESSORIES

Custom Kiosk

Clear or Non-glare Tempered Glass  
Clear or Non-glare Polycarbonate  
Logos And Graphics



# Landscape Kiosk

Fits most 40", 42", 43", 46", 47", 48", 49", 50" and 55" Displays  
less than 3.50" (89mm) deep

- Hourglass body design for a modern look
- Six outlet, UL- and cUL-approved surge suppressor with 6' cord to protect voltage-sensitive components from damaging power surges
- Pre-assembled to simplify installation of entire solution
- High-performance, premium powder coat finish protects the unit and extends the product lifespan for years
- Supports a wide range of aesthetic options including multiple colors, vinyl wraps, etc. to best match the environment or promote brand strategy

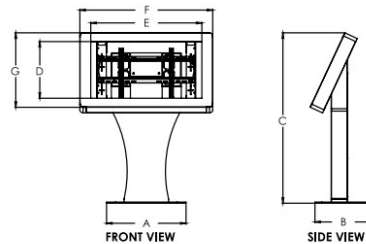


Note: Kiosk enclosure does not include cover glass

Please visit [peerless-av.com/en-us/patents](http://peerless-av.com/en-us/patents) for patent information.

TECHNICAL DRAWINGS

For expanded product information and technical data visit [peerless-av.com](http://peerless-av.com)



MODEL NO.	DIMENSION "A"	DIMENSION "B"	DIMENSION "C"	DIMENSION "D"	DIMENSION "E"	DIMENSION "F"	DIMENSION "G"
<b>KILH540</b>	25.00" (635mm)	18.50" (470mm)	53.60" (1362mm)	19.69" (500mm)	34.97" (888mm)	41.86" (1063mm)	25.83" (656mm)
<b>KILH542</b>	25.00" (635mm)	18.50" (470mm)	53.60" (1362mm)	20.68" (525mm)	36.72" (933mm)	41.86" (1063mm)	25.83" (656mm)
<b>KILH543</b>	25.00" (635mm)	18.50" (470mm)	53.60" (1362mm)	21.21" (538mm)	37.58" (954mm)	41.86" (1063mm)	25.83" (656mm)
<b>KILH546</b>	25.00" (635mm)	18.50" (470mm)	54.71" (1389mm)	22.52" (572mm)	40.20" (1021mm)	46.22" (1174mm)	28.25" (718mm)
<b>KILH547</b>	25.00" (635mm)	18.50" (470mm)	54.71" (1389mm)	23.06" (586mm)	41.07" (1043mm)	46.22" (1174mm)	28.25" (718mm)
<b>KILH548</b>	25.00" (635mm)	18.50" (470mm)	54.71" (1389mm)	23.60" (600mm)	41.97" (1066mm)	46.22" (1174mm)	28.25" (718mm)
<b>KILH549</b>	25.00" (635mm)	18.50" (470mm)	55.04" (1398mm)	24.05" (611mm)	42.82" (1089mm)	48.09" (1221mm)	29.14" (741mm)
<b>KILH550</b>	25.00" (635mm)	18.50" (470mm)	55.04" (1398mm)	25.07" (637mm)	43.49" (1110mm)	48.09" (1221mm)	28.94" (736mm)
<b>KILH555</b>	25.00" (635mm)	18.50" (470mm)	56.15" (1426mm)	26.91" (684mm)	48.05" (1220mm)	52.45" (1332mm)	31.44" (799mm)

To verify mount compatibility with any display or projector model use MountFinder™ at [peerless-av.com](http://peerless-av.com).



630-375-5100 | 800-865-2112



info@peerless-av.com



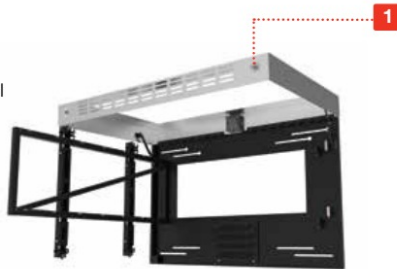
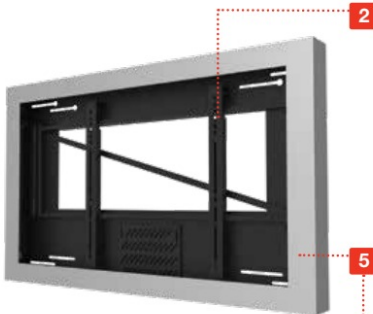
peerless-av.com



# Wall Kiosk - Landscape

Fits 40", 42", 43", 46", 47", 48", 49" and 55" Displays  
less than 3.5" (89mm) deep

- Hinged top frame offers easy access to the display and other internal components for easy maintenance and enhanced security
- Eight-way tool-less adjustment to quickly position display in kiosk window for flush alignment
- Thermostat controlled circulation fans ensure proper airflow within the kiosk
- Pre-assembled to simplify installation of the entire solution
- Supports wide range of aesthetic options including glass/acrylic, multiple colors, vinyl wraps, etc. to best match environment or promote brand strategy
- Stand-alone kiosk enclosure or fully integrated with display, media player, power and thermal management, etc.

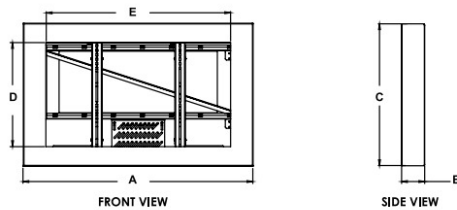


Note: Kiosk enclosure does not include cover glass

Please visit [peerless-av.com/en-us/patents](http://peerless-av.com/en-us/patents) for patent information.

For expanded product information and technical data visit [peerless-av.com](http://peerless-av.com)

## TECHNICAL DRAWINGS



MODEL NO.	DIMENSION "A"	DIMENSION "B"	DIMENSION "C"	DIMENSION "D"	DIMENSION "E"
<b>KIL640-35D</b>	43.50" (1105mm)	5.45" (139mm)	27.00" (686mm)	19.67" (500mm)	34.97" (888mm)
<b>KIL642-35D</b>	43.50" (1105mm)	5.45" (139mm)	27.00" (686mm)	20.65" (525mm)	36.72" (933mm)
<b>KIL643-35D</b>	43.50" (1105mm)	5.45" (139mm)	27.00" (686mm)	21.13" (537mm)	37.59" (955mm)
<b>KIL646-35D</b>	48.00" (1219mm)	5.45" (139mm)	29.00" (737mm)	22.61" (574mm)	40.20" (1021mm)
<b>KIL647-35D</b>	48.00" (1219mm)	5.45" (139mm)	29.00" (737mm)	23.10" (587mm)	41.07" (1043mm)
<b>KIL648-35D</b>	48.00" (1219mm)	5.45" (139mm)	29.00" (737mm)	23.59" (599mm)	41.94" (1065mm)
<b>KIL649-35D</b>	56.00" (1422mm)	5.45" (139mm)	34.10" (866mm)	24.08" (611mm)	42.82" (1087mm)
<b>KIL655-35D</b>	56.00" (1422mm)	5.45" (139mm)	34.10" (866mm)	27.03" (686mm)	48.05" (1220mm)

To verify mount compatibility with any display or projector model use [MountFinder™](http://MountFinder.com) at [peerless-av.com](http://peerless-av.com).

630-375-5100 | 800-865-2112 | [info@peerless-av.com](mailto:info@peerless-av.com) | [peerless-av.com](http://peerless-av.com)

## KIOSKS



INDOOR  
KIOSKS

## MODELS

### Universal Models:

For displays 3.5" (89mm) thick

Landscape models:

<b>KIL640(-S)-35D</b>	40" Displays	Gloss black/Silver
<b>KIL642(-S)-35D</b>	42" Displays	Gloss black/Silver
<b>KIL643(-S)-35D</b>	43" Displays	Gloss black/Silver
<b>KIL646(-S)-35D</b>	46" Displays	Gloss black/Silver
<b>KIL647(-S)-35D</b>	47" Displays	Gloss black/Silver
<b>KIL648(-S)-35D</b>	48" Displays	Gloss black/Silver
<b>KIL649(-S)-35D</b>	49" Displays	Gloss black/Silver
<b>KIL655(-S)-35D</b>	55" Displays	Gloss black/Silver

## DISPLAY ADAPTOR



VESA® Pattern

Universal Models: 200 x 200 up to 600 x 400mm

## SPECIFICATIONS

### Distance from Wall

5.45" (139mm)



### Max Load

75lb (34kg)

### Product Dimensions (W x H x D)

<b>KIL640/642/643(-S)-35D:</b>	43.50" x 27.00" x 5.45" (1105 x 686 x 139mm)
<b>KIL646/647/648/649(-S)-35D:</b>	48.00" x 29.00" x 5.45" (1219 x 737 x 139mm)
<b>KIL655(-S)-35D:</b>	56.00" x 34.01" x 5.45" (1422 x 866 x 139mm)

### Storage Space (D)

1.56"-2.30" (40-58mm)

### Mounting Surfaces

Wood stud, concrete, cinder block and metal stud  
(Metal stud accessory required)

### Ship Weight

<b>KIL640/642/643(-S)-35D:</b>	90lb (40kg)
<b>KIL646/647/648/649(-S)-35D:</b>	100lb (45kg)
<b>KIL655(-S)-35D:</b>	110lb (50kg)

## CERTIFICATIONS



## ACCESSORIES

- ACC415:** 4-pack Metal Stud Fastener Kit ..... pg# 234
- IBA4-W:** Easy Mount Recessed Low Voltage Cable Plate ..... pg# 227
- IBA5-W:** Recessed Low Voltage Media Plate with Duplex Surge Suppressor..... pg# 227

### Custom Kiosk



Clear or Non-glare Tempered Glass  
Clear or Non-glare Polycarbonate  
Logos And Graphics

KIOSKS



MODELS

Universal Models:

For displays 2.00" (50mm) thick

Landscape models:

<b>KIL640(-S)</b>	40" Displays	Gloss black/Silver
<b>KIL642(-S)</b>	42" Displays	Gloss black/Silver
<b>KIL643(-S)</b>	43" Displays	Gloss black/Silver
<b>KIL646(-S)</b>	46" Displays	Gloss black/Silver
<b>KIL647(-S)</b>	47" Displays	Gloss black/Silver
<b>KIL648(-S)</b>	48" Displays	Gloss black/Silver
<b>KIL649(-S)</b>	49" Displays	Gloss black/Silver
<b>KIL655(-S)</b>	55" Displays	Gloss black/Silver

DISPLAY ADAPTOR



VESA® Pattern

Universal Models: 200 x 200 up to 600 x 400mm

SPECIFICATIONS

Distance from Wall

3.97" (101mm)



Max Load

75lb (34kg)

Product Dimensions (W x H x D)

<b>KIL640/642/643(-S):</b>	43.50" x 27.00" x 3.97" (1105 x 686 x 101mm)
<b>KIL646/647/648/649(-S):</b>	48.00" x 29.00" x 3.97" (1219 x 737 x 101mm)
<b>KIL655(-S):</b>	56.00" x 34.01" x 3.97" (1422 x 866 x 101mm)

Storage Space (D)

1.56"-2.30" (40-58mm)

Mounting Surfaces

Wood stud, concrete, cinder block and metal stud  
(Metal stud accessory required)

Ship Weight

<b>KIL640/642/643(-S):</b>	85lb (39kg)
<b>KIL646/647/648/649(-S):</b>	95lb (43kg)
<b>KIL655(-S):</b>	105lb (48kg)

CERTIFICATIONS



RoHS

TAA

ACCESSORIES

**ACC415:** 4-pack Metal Stud Fastener Kit .....pg# 234

**IBA4-W:** Easy Mount Recessed Low Voltage Cable Plate ..... pg# 227

**IBA5-W:** Recessed Low Voltage Media Plate with Duplex Surge Suppressor..... pg# 227

Custom Kiosk

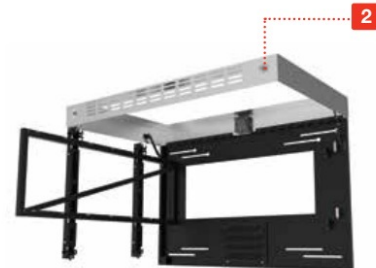
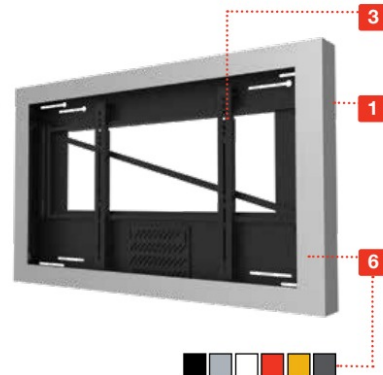


Clear or Non-glare Tempered Glass  
Clear or Non-glare Polycarbonate  
Logos And Graphics

# Wall Kiosk - Landscape

Fits 40", 42", 43", 46", 47", 48", 49" and 55" Displays  
less than 2.00" (50mm) deep

1. Low profile design extends 3.97" (101mm) away from the wall which meets the Americans with Disabilities Act (ADA) certification
2. Hinged top frame offers easy access to the display and other internal components for easy maintenance and enhanced security
3. Eight-way toolless adjustment to quickly position display in kiosk window for flush alignment
4. Thermostat controlled circulation fans ensure proper airflow within the kiosk
5. Pre-assembled to simplify installation of the entire solution
6. Supports wide range of aesthetic options including glass/acrylic, multiple colors, vinyl wraps, etc. to best match environment or promote brand strategy
7. Stand-alone kiosk enclosure or fully integrated with display, media player, power and thermal management, etc.

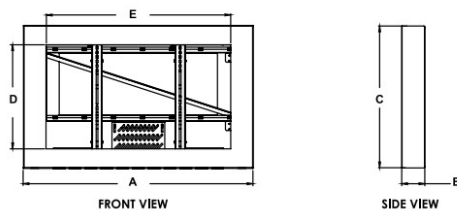


Note: Kiosk enclosure does not include cover glass

Please visit [peerless-av.com/en-us/patents](http://peerless-av.com/en-us/patents) for patent information.

TECHNICAL DRAWINGS

For expanded product information and technical data visit [peerless-av.com](http://peerless-av.com)



MODEL NO.	DIMENSION "A"	DIMENSION "B"	DIMENSION "C"	DIMENSION "D"	DIMENSION "E"
<b>KIL640</b>	43.50" (1105mm)	3.97" (101mm)	27.00" (686mm)	19.67" (500mm)	34.97" (888mm)
<b>KIL642</b>	43.50" (1105mm)	3.97" (101mm)	27.00" (686mm)	20.65" (525mm)	36.72" (933mm)
<b>KIL643</b>	43.50" (1105mm)	3.97" (101mm)	27.00" (686mm)	21.13" (537mm)	37.59" (955mm)
<b>KIL646</b>	48.00" (1219mm)	3.97" (101mm)	29.00" (737mm)	22.61" (574mm)	40.20" (1021mm)
<b>KIL647</b>	48.00" (1219mm)	3.97" (101mm)	29.00" (737mm)	23.10" (587mm)	41.07" (1043mm)
<b>KIL648</b>	48.00" (1219mm)	3.97" (101mm)	29.00" (737mm)	23.59" (599mm)	41.94" (1065mm)
<b>KIL649</b>	56.00" (1422mm)	3.97" (101mm)	34.10" (866mm)	24.08" (611mm)	42.82" (1087mm)
<b>KIL655</b>	56.00" (1422mm)	3.97" (101mm)	34.10" (866mm)	27.03" (686mm)	48.05" (1220mm)

To verify mount compatibility with any display or projector model use MountFinder™ at [peerless-av.com](http://peerless-av.com).

# Wall Kiosk - Portrait

Fits 40", 42", 43", 46", 47", 48", 49" and 55" Displays  
less than 2.00" (50mm) deep

1. Low profile design extends 3.97" (101mm) away from the wall which meets the Americans with Disabilities Act (ADA) certification
2. Hinged top frame offers easy access to the display and other internal components for easy maintenance and enhanced security
3. Eight-way tool-less adjustment to quickly position display in kiosk window for flush alignment
4. Thermostat controlled circulation fans ensure proper airflow within the kiosk
5. Pre-assembled to simplify installation of the entire solution
6. Supports wide range of aesthetic options including glass/acrylic, multiple colors, vinyl wraps, etc. to best match environment or promote brand strategy
7. Stand-alone kiosk enclosure or fully integrated with display, media player, power and thermal management, etc.

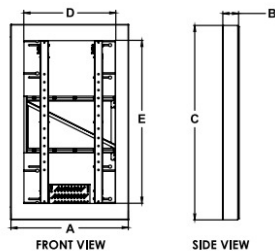
Note: Kiosk enclosure does not include cover glass



Please visit [peerless-av.com/en-us/patents](http://peerless-av.com/en-us/patents) for patent information.

For expanded product information and technical data visit [peerless-av.com](http://peerless-av.com)

## TECHNICAL DRAWINGS



MODEL NO.	DIMENSION "A"	DIMENSION "B"	DIMENSION "C"	DIMENSION "D"	DIMENSION "E"
KIP640	27.10" (688mm)	3.94" (100mm)	44.24" (1124mm)	19.67" (500mm)	34.97" (888mm)
KIP642	27.10" (688mm)	3.94" (100mm)	44.24" (1124mm)	20.65" (525mm)	36.72" (933mm)
KIP643	27.10" (688mm)	3.94" (100mm)	44.24" (1124mm)	21.13" (537mm)	37.59" (955mm)
KIP646	29.10" (739mm)	3.94" (100mm)	48.16" (1223mm)	22.61" (574mm)	40.20" (1021mm)
KIP647	29.10" (739mm)	3.94" (100mm)	48.16" (1223mm)	23.10" (587mm)	41.07" (1043mm)
KIP648	29.10" (739mm)	3.94" (100mm)	48.16" (1223mm)	23.59" (599mm)	41.94" (1065mm)
KIP649	33.50" (851mm)	3.94" (100mm)	55.07" (1399mm)	24.08" (611mm)	42.82" (1087mm)
KIP655	33.50" (851mm)	3.94" (100mm)	55.07" (1399mm)	27.03" (686mm)	48.05" (1220mm)

To verify mount compatibility with any display or projector model use MountFinder™ at [peerless-av.com](http://peerless-av.com).

630-375-5100 | 800-865-2112 | [info@peerless-av.com](mailto:info@peerless-av.com) | [peerless-av.com](http://peerless-av.com)

## KIOSKS



INDOOR  
KIOSKS

## MODELS

### Universal Models:

For displays 2.00" (50mm) thick

### Portrait models:

KIP640(-S)	40" Displays	Gloss black/Silver
KIP642(-S)	42" Displays	Gloss black/Silver
KIP643(-S)	43" Displays	Gloss black/Silver
KIP646(-S)	46" Displays	Gloss black/Silver
KIP647(-S)	47" Displays	Gloss black/Silver
KIP648(-S)	48" Displays	Gloss black/Silver
KIP649(-S)	49" Displays	Gloss black/Silver
KIP655(-S)	55" Displays	Gloss black/Silver

## DISPLAY ADAPTOR



### VESA® Pattern

Universal Models: 200 x 200 up to 600 x 400mm

## SPECIFICATIONS

### Distance from Wall

3.97" (101mm)



### Max Load

75lb (34kg)

### Product Dimensions (W x H x D)

KIP640/642/643(-S):	27.00" x 43.50" x 3.97" (686 x 1105 x 101mm)
KIP646/647/648/649(-S):	29.00" x 48.00" x 3.97" (737 x 1219 x 101mm)
KIP655(-S):	34.01" x 56.00" x 3.97" (866 x 1422 x 101mm)

### Storage Space (D)

1.56"-2.30" (40-58mm)

### Mounting Surfaces

Wood stud, concrete, cinder block and metal stud  
(Metal stud accessory required)

### Ship Weight

KIP640/642/643(-S):	85lb (39kg)
KIP646/647/648/649(-S):	95lb (43kg)
KIP655(-S):	105lb (48kg)

## CERTIFICATIONS



RoHS  
COMPLIANT

TAA  
COMPLIANT

## ACCESSORIES

**ACC415:** 4-pack Metal Stud Fastener Kit ..... pg# 234

**IBA4-W:** Easy Mount Recessed Low Voltage Cable Plate ..... pg# 227

**IBA5-W:** Recessed Low Voltage Media Plate with Duplex Surge Suppressor ..... pg# 227

### Custom Kiosk



Clear or Non-glare Tempered Glass  
Clear or Non-glare Polycarbonate  
Logos And Graphics



KIOSKS



MODELS

Universal Models:

For displays between 3.10" (78mm) thick

Landscape models:

<b>KIL740(-S)</b>	40" Displays	Gloss black/Silver
<b>KIL742(-S)</b>	42" Displays	Gloss black/Silver
<b>KIL743(-S)</b>	43" Displays	Gloss black/Silver
<b>KIL746(-S)</b>	46" Displays	Gloss black/Silver
<b>KIL747(-S)</b>	47" Displays	Gloss black/Silver
<b>KIL748(-S)</b>	48" Displays	Gloss black/Silver
<b>KIL749(-S)</b>	49" Displays	Gloss black/Silver
<b>KIL755(-S)</b>	55" Displays	Gloss black/Silver

DISPLAY ADAPTOR



VESA® Pattern

Universal Models: 200 x 200 up to 600 x 400mm

SPECIFICATIONS

Distance from Wall

1" (25mm)



Max Load

75lb (34kg)

Product Dimensions (W x H x D)

<b>KIL740/742/743(-S):</b>	45.41" x 28.91" x 5.15" (1153 x 734 x 131mm)
<b>KIL746/747/748/749(-S):</b>	50.40" x 31.85" x 5.15" (1280 x 809 x 131mm)
<b>KIL755(-S):</b>	57.90" x 35.35" x 5.15" (1471 x 898 x 131mm)

Storage Space (D)

1.56"-2.30" (40-58mm)

Mounting Surfaces

Wood stud and metal stud

Ship Weight

<b>KIL740/742/743(-S):</b>	90lb (41kg)
<b>KIL746/747/748/749(-S):</b>	100lb (45kg)
<b>KIL755(-S):</b>	110lb (50kg)

CERTIFICATIONS



RoHS

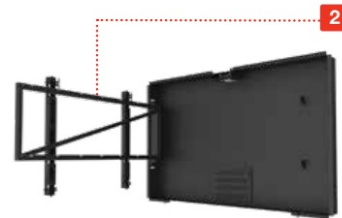
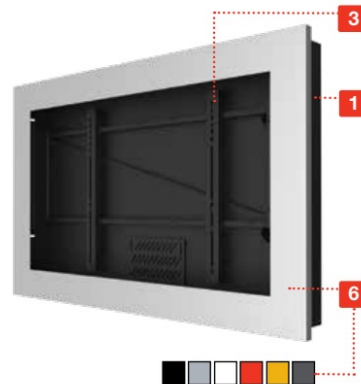


TAA COMPLIANT

# In-Wall Kiosk - Landscape

Fits 40", 42", 43", 46", 47", 48", 49" and 55" Displays  
less than 3.10" (78mm) deep

1. Low-profile design extends 1" (25mm) away from the wall which meets the Americans with Disabilities Act (ADA) certification
2. Removable front cover and pull-out mount offers easy access to the display and other internal components for easy maintenance and enhanced security
3. Eight-way tool-less adjustment to quickly position display in kiosk window for flush alignment
4. Thermostat controlled circulation fans ensure proper airflow within the kiosk
5. Pre-assembled to simplify installation of the entire solution
6. Supports wide range of aesthetic options including glass/acrylic, multiple colors, vinyl wraps, etc. to best match environment or promote brand strategy
7. Stand-alone kiosk enclosure or fully integrated with display, media player, power and thermal management, etc.

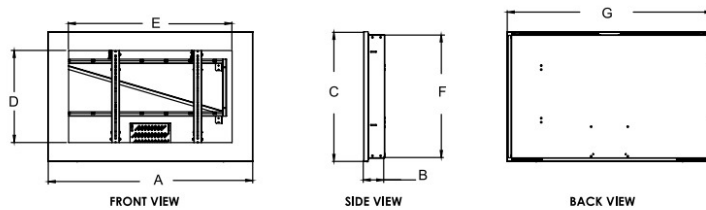


Note: Kiosk enclosure does not include cover glass

Please visit [peerless-av.com/en-us/patents](http://peerless-av.com/en-us/patents) for patent information.

TECHNICAL DRAWINGS

For expanded product information and technical data visit [peerless-av.com](http://peerless-av.com)



MODEL NO.	DIMENSION "A"	DIMENSION "B"	DIMENSION "C"	DIMENSION "D"	DIMENSION "E"	DIMENSION "F"	DIMENSION "G"
<b>KIL740</b>	45.41" (1153mm)	5.15" (131mm)	28.91" (734mm)	19.67" (500mm)	34.97" (888mm)	27.50" (699mm)	43.25" (1099mm)
<b>KIL742</b>	45.41" (1153mm)	5.15" (131mm)	28.91" (734mm)	20.65" (525mm)	36.72" (933mm)	27.50" (699mm)	43.25" (1099mm)
<b>KIL743</b>	45.41" (1153mm)	5.15" (131mm)	28.91" (734mm)	21.13" (537mm)	37.59" (955mm)	27.50" (699mm)	43.25" (1099mm)
<b>KIL746</b>	50.40" (1280mm)	5.15" (131mm)	31.85" (809mm)	22.61" (574mm)	40.20" (1021mm)	30.25" (768mm)	48.25" (1226mm)
<b>KIL747</b>	50.40" (1280mm)	5.15" (131mm)	31.85" (809mm)	23.10" (587mm)	41.07" (1043mm)	30.25" (768mm)	48.25" (1226mm)
<b>KIL748</b>	50.40" (1280mm)	5.15" (131mm)	31.85" (809mm)	23.59" (599mm)	41.94" (1065mm)	30.25" (768mm)	48.25" (1226mm)
<b>KIL749</b>	57.90" (1471mm)	5.15" (131mm)	35.35" (898mm)	24.08" (609mm)	42.82" (1088mm)	33.75" (857mm)	55.75" (1416mm)
<b>KIL755</b>	57.90" (1471mm)	5.15" (131mm)	35.35" (898mm)	27.03" (686mm)	48.05" (1220mm)	33.75" (857mm)	55.75" (1416mm)

To verify mount compatibility with any display or projector model use MountFinder™ at [peerless-av.com](http://peerless-av.com).



630-375-5100 | 800-865-2112



info@peerless-av.com



peerless-av.com

# In-Wall Kiosk - Portrait

Fits 40", 42", 43", 46", 47", 48", 49" and 55" Displays  
less than 3.10" (78mm) deep

1. Low-profile design extends 1" (25mm) away from the wall which meets the Americans with Disabilities Act (ADA) certification
2. Removable front cover and pull-out mount offers easy access to the display and other internal components for easy maintenance and enhanced security
3. Eight-way tool-less adjustment to quickly position display in kiosk window for flush alignment
4. Thermostat controlled circulation fans ensure proper airflow within the kiosk
5. Pre-assembled to simplify installation of the entire solution
6. Supports wide range of aesthetic options including glass/acrylic, multiple colors, vinyl wraps, etc. to best match environment or promote brand strategy
7. Stand-alone kiosk enclosure or fully integrated with display, media player, power and thermal management, etc.

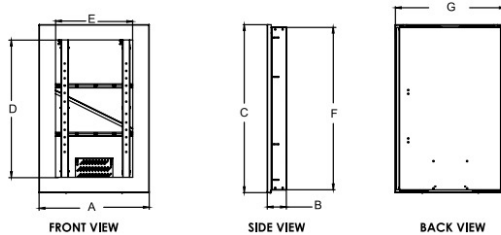


Note: Kiosk enclosure does not include cover glass

Please visit [peerless-av.com/en-us/patents](http://peerless-av.com/en-us/patents) for patent information.

For expanded product information and technical data visit [peerless-av.com](http://peerless-av.com)

## TECHNICAL DRAWINGS



MODEL NO.	DIMENSION "A"	DIMENSION "B"	DIMENSION "C"	DIMENSION "D"	DIMENSION "E"	DIMENSION "F"	DIMENSION "G"
KIP740	29.47" (749mm)	5.05" (128mm)	44.89" (1140mm)	34.97" (888mm)	19.67" (500mm)	43.50" (1105mm)	27.25" (692mm)
KIP742	29.47" (749mm)	5.05" (128mm)	44.89" (1140mm)	36.72" (933mm)	20.65" (525mm)	43.50" (1105mm)	27.25" (692mm)
KIP743	29.47" (749mm)	5.05" (128mm)	44.89" (1140mm)	37.59" (955mm)	21.13" (537mm)	43.50" (1105mm)	27.25" (692mm)
KIP746	32.48" (825mm)	5.05" (128mm)	49.65" (1261mm)	40.20" (1021mm)	22.61" (574mm)	48.25" (1226mm)	30.25" (768mm)
KIP747	32.48" (825mm)	5.05" (128mm)	49.65" (1261mm)	41.07" (1043mm)	23.10" (587mm)	48.25" (1226mm)	30.25" (768mm)
KIP748	32.48" (825mm)	5.05" (128mm)	49.65" (1261mm)	41.94" (1065mm)	23.59" (599mm)	48.25" (1226mm)	30.25" (768mm)
KIP749	35.92" (912mm)	5.05" (128mm)	57.15" (1452mm)	42.82" (1088mm)	24.08" (611mm)	55.75" (1416mm)	33.75" (857mm)
KIP755	35.92" (912mm)	5.05" (128mm)	57.15" (1452mm)	48.05" (1220mm)	27.03" (686mm)	55.75" (1416mm)	33.75" (857mm)

To verify mount compatibility with any display or projector model use MountFinder™ at [peerless-av.com](http://peerless-av.com).

630-375-5100 | 800-865-2112 | [info@peerless-av.com](mailto:info@peerless-av.com) | [peerless-av.com](http://peerless-av.com)

## KIOSKS



INDOOR  
KIOSKS

## MODELS

### Universal Models:

For displays between 3.10" (78mm) thick

### Portrait models:

KIP740(-S)	40" Displays	Gloss black/Silver
KIP742(-S)	42" Displays	Gloss black/Silver
KIP743(-S)	43" Displays	Gloss black/Silver
KIP746(-S)	46" Displays	Gloss black/Silver
KIP747(-S)	47" Displays	Gloss black/Silver
KIP748(-S)	48" Displays	Gloss black/Silver
KIP749(-S)	49" Displays	Gloss black/Silver
KIP755(-S)	55" Displays	Gloss black/Silver

## DISPLAY ADAPTOR



### VESA® Pattern

Universal Models: 200 x 200 up to 600 x 400mm

## SPECIFICATIONS

### Distance from Wall

1" (25mm)



### Max Load

75lb (34kg)

### Product Dimensions (W x H x D)

KIP740/742/743(-S):	28.91" x 45.41" x 5.15" (734 x 1153 x 131mm)
KIP746/747/748/749(-S):	31.85" x 50.40" x 5.15" (809 x 1280 x 131mm)
KIP755(S):	35.35" x 57.90" x 5.15" (898 x 1471 x 131mm)

### Storage Space (D)

1.56"-2.30" (40-58mm)

### Mounting Surfaces

Wood stud and metal stud

### Ship Weight

KIP740/742/743(-S):	90lb (41kg)
KIP746/747/748/749(-S):	100lb (45kg)
KIP755(S):	110lb (50kg)

## CERTIFICATIONS



RoHS

TAA  
COMPLIANT



MODELS

Universal Models:

<b>KLR62232</b>	22", 26" & 32" Displays	Black
<b>KLR64255</b>	42" & 55" Displays	Black

DISPLAY ADAPTOR



VESA® Pattern

<b>KLR62232:</b>	100 x 100, 200 x 100, 200 x 200mm
<b>KLR64255:</b>	400 x 400mm

SPECIFICATIONS

Distance from Wall

<b>KLR62232:</b>	9.18" (233mm)
<b>KLR64255:</b>	11.41" (290mm)



Max Load

<b>KLR62232:</b>	125lb (56kg)
<b>KLR64255:</b>	150lb (68kg)

Product Dimensions (W x H x D)

<b>KLR62232:</b>	32.35" x 26.29" x 9.18" (822 x 668 x 233mm)
<b>KLR64255:</b>	53.85" x 39.24" x 11.41" (1368 x 997 x 290mm)

Mounting Surfaces

Wood stud and metal stud

Ship Weight

<b>KLR62232:</b>	38lb (17.2kg)
<b>KLR64255:</b>	60lb (27.2kg)

CERTIFICATIONS



ACCESSORIES

**ACC415:** 4-pack Metal Stud Fastener Kit ..... pg# 234

# Ligature Resistant Display Enclosure

For 22", 26", 32", 42" & 55" Displays

- 15 degree sloped top and generously curved edges provides a non-looping enclosure that dramatically reduces the chance of the enclosure becoming a ligature point
- Impact resistant cover with 6mm optical grade polycarbonate panel
- No additional layer of glass needed between display and enclosure creating glare
- Keyed rear access panel
- For maximum safety, the electrical and cable TV outlets can be protected by the cover
- Vented sides to keep the display at its optimal operation temperature
- Universal tilt wall mount included
- Recessed security screws are tamper resistant and require security tools to remove
- Pre-assembled enclosure to simplify installation



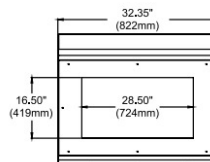
**KLR64255**



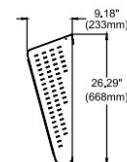
**KLR62232**

TECHNICAL DRAWINGS

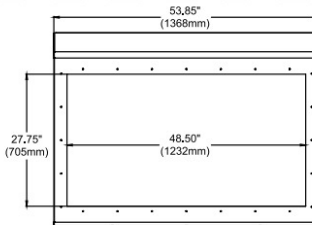
For expanded product information and technical data visit [peerless-av.com](http://peerless-av.com)



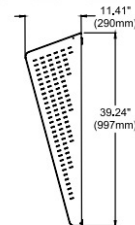
**KLR62232 FRONT VIEW**



**KLR62232 SIDE VIEW**



**KLR64255 FRONT VIEW**



**KLR64255 SIDE VIEW**

To verify mount compatibility with any display or projector model use MountFinder™ at [peerless-av.com](http://peerless-av.com).



630-375-5100 | 800-865-2112



[info@peerless-av.com](mailto:info@peerless-av.com)



[peerless-av.com](http://peerless-av.com)



# Smart City Kiosk

Includes 55" Xtreme™ High Bright Outdoor Display

1. Includes Peerless-AV® 55" (XHB554) Xtreme™ High Bright Outdoor Display to offer maximum flexibility
2. All stainless steel and aluminum body combined with an outdoor rated paint finish to provide the ultimate in corrosion resistance
3. Wind tested up to 135 mph
4. Sleek yet rugged design protects the display, while also providing ample space for component storage
5. KOP55XHB(-S)A includes two 4 inch, 100 watt, waterproof speakers to ensure high-quality, undistorted audio output for outdoor usage
6. IP55 rated media cabinet provides a dedicated, spacious area for storing AV components, and the integrated fans provide active cooling
7. Louvered side vents allow for display and component ventilation while keeping cords and other internals hidden from view for a clean install
8. Extended base cover allows power and data to be run up through bottom center, while keeping conduit concealed, for a clean installation
9. Create an interactive kiosk by adding optional IR Touch Overlay, KIRP-XHB4(-HT)\*, which can detect up to 10 touch points, whether finger, gloved hand or stylus, all in a convenient plug-and-play design

\*This product uses TSI technology.



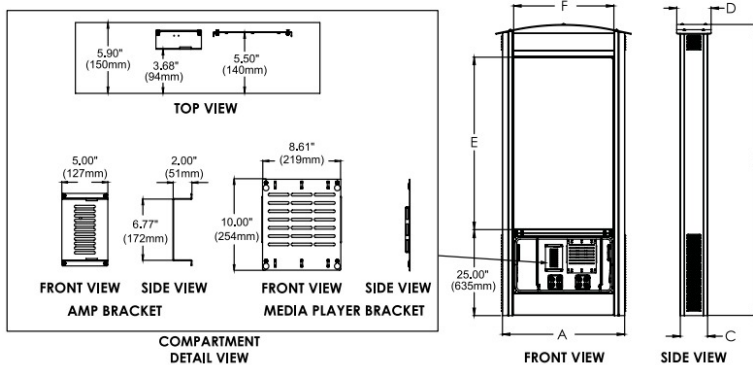
All Weather  
Rated Display:  
IP66



Display's Operating  
Temperature Range:  
-31°F to 140°F

For expanded product information and technical data visit [peerless-av.com](http://peerless-av.com)

## TECHNICAL DRAWINGS



MODEL NO.	DIMENSION "A"	DIMENSION "B"	DIMENSION "C"	DIMENSION "D"	DIMENSION "E"	DIMENSION "F"
KOP55XHB(-S)	35.38" (899mm)	84.13" (2137mm)	7.93" (201mm)	9.93" (252mm)	50.05" (1271mm)	29.38" (746mm)
KOP55XHB(-S)A	35.38" (899mm)	84.13" (2137mm)	7.93" (201mm)	9.93" (252mm)	50.05" (1271mm)	29.38" (746mm)

To verify mount compatibility with any display or projector model use MountFinder™ at [peerless-av.com](http://peerless-av.com).

630-375-5100 | 800-865-2112 | [info@peerless-av.com](mailto:info@peerless-av.com) | [peerless-av.com](http://peerless-av.com)

## KIOSKS



## MODELS

### Universal Models:

Includes 55" Xtreme™ High Bright Outdoor Display

**KOP55XHB** Black  
**KOP55XHB-S** Silver

Includes 55" Xtreme™ High Bright Outdoor Display & Speakers

**KOP55XHB-A** Black  
**KOP55XHB-SA** Silver

## SPECIFICATIONS

Product Dimensions (W x H x D)

35.38" x 84.13" x 9.93"  
(899 x 2137 x 252mm)

Mounting Surfaces

Concrete

Power Requirements

**KOP55XHB(-S):** 4A at 120VAC + Media Player  
**KOP55XHB(-S)A:** 6A at 120VAC + Media Player

Ship Weight

Skid 1 (Kiosk):  
**KOP55XHB(-S):** 243lb (110kg)  
**KOP55XHB(-S)A:** 265lb (120kg)  
Skid 2 (Display): 158lb (72kg)

## CERTIFICATIONS

RoHS



TAA  
COMPLIANT

## ACCESSORIES

**KIRP-XHB4:** R Touch Overlay  
**KIRP-XHB4-HT:** IR Touch Overlay with Heater\*\*  
**ACCK-KOPBASE:** Base Bolt Template

\*\*Heater option available for kiosks located in extended subzero climate where snow or ice accumulation on the screen could be a concern.

## KIOSKS



### MODELS

#### Universal Models:

Includes (2) 55" Xtreme™ High Bright Outdoor Displays

**KOP55XHB2** Black  
**KOP55XHB2-S** Silver

Includes (2) 55" Xtreme™ High Bright Outdoor Displays & Speakers

**KOP55XHB2-A** Black  
**KOP55XHB2-SA** Silver

### SPECIFICATIONS

#### Product Dimensions (W x H x D)

35.38" x 84.13" x 14.75"  
(899 x 2137 x 375mm)

#### Mounting Surfaces

Concrete

#### Power Requirements

**KOP55XHB2(-S):** 6A at 120VAC + Media Player  
**KOP55XHB2(-S)A:** 10A at 120VAC + Media Player

#### Ship Weight

**Skid 1 (Kiosk):**  
**KOP55XHB2(-S):** 300lb (136kg)  
**KOP55XHB2(-S)A:** 350lb (159kg)  
**Skid 2 (Displays):** 271lb (123kg)

### CERTIFICATIONS

RoHS



TAA COMPLIANT

### ACCESSORIES

**KIRP-XHB4:** IR Touch Overlay  
**KIRP-XHB4-HT:** IR Touch Overlay with Heater\*\*  
**ACCK-KOPBASE-B2B:** Base Bolt Template for Dual-Sided SC Kiosk

\*\*Heater option available for kiosks located in extended subzero climate where snow or ice accumulation on the screen could be a concern.

# Dual-Sided Smart City Kiosk

Includes (2) 55" Xtreme™ High Bright Outdoor Displays

- Includes two Peerless-AV® 55" (XHB554) Xtreme™ High Bright Outdoor Displays to offer maximum flexibility
- All stainless steel and aluminum body combined with an outdoor rated paint finish to provide the ultimate in corrosion resistance
- Wind tested up to 135 mph
- Sleek yet rugged design protects the display, while also providing ample space for component storage
- KOP55XHB2(-S)A includes two 4 inch, 100 watt, waterproof speakers to ensure high-quality, undistorted audio output for outdoor usage
- IP55 rated media cabinet provides a dedicated, spacious area for storing AV components, and the integrated fans provide active cooling
- Louvered side vents allow for display and component ventilation while keeping cords and other internals hidden from view for a clean install
- Extended base cover allows power and data to be run up through bottom center, while keeping conduit concealed, for a clean installation
- Create an interactive kiosk by adding optional IR Touch Overlay, KIRP-XHB4-(HT)\*, which can detect up to 10 touch points, whether finger, gloved hand or stylus, all in a convenient plug-and-play design

\*This product uses TSI technology.



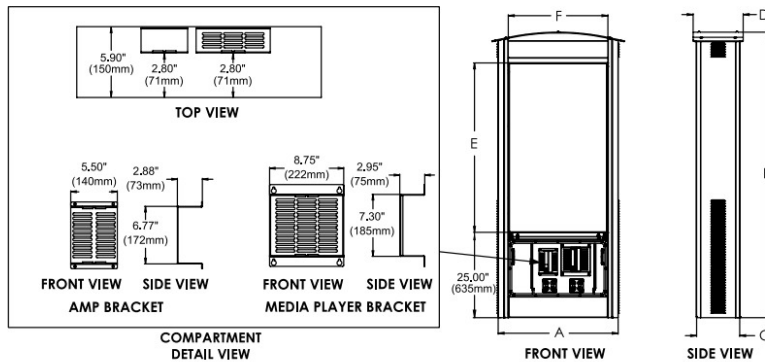
All Weather  
Rated Display:  
IP66



Display's Operating  
Temperature Range:  
-31°F to 140°F

### TECHNICAL DRAWINGS

For expanded product information and technical data visit [peerless-av.com](http://peerless-av.com)



MODEL NO.	DIMENSION "A"	DIMENSION "B"	DIMENSION "C"	DIMENSION "D"	DIMENSION "E"	DIMENSION "F"
KOP55XHB2(-S)	35.38" (899mm)	84.13" (2137mm)	12.75" (324mm)	14.75" (375mm)	50.05" (1271mm)	29.38" (746mm)
KOP55XHB2(-S)A	35.38" (899mm)	84.13" (2137mm)	12.75" (324mm)	14.75" (375mm)	50.05" (1271mm)	29.38" (746mm)

To verify mount compatibility with any display or projector model use MountFinder™ at [peerless-av.com](http://peerless-av.com).



630-375-5100 | 800-865-2112



info@peerless-av.com



peerless-av.com

# Outdoor Digital Menu Boards

Support 55" Peerless-AV® XHB554 & LG 55XE4F-M

Outdoor Display(s)

1. Designed to support 55" Peerless-AV® XHB554\* and LG 55XE4F-M Outdoor Displays to offer maximum flexibility at the best value
  - \* Mount Brackets (KOF-OPT-553BRKTS) Provided with Orders of XHB553
2. Sleek and stylish, yet rugged enough to be installed in any outdoor application for 24/7 use
3. Modular design allows displays to be installed from the front, without disturbing the adjacent units
4. Elegant, minimalistic design protects displays and internal equipment, while enhancing the drive-thru aesthetics
5. Designed for common 8" baseplate mounting pattern, with 30° of rotational positioning to select the best viewing angle for your customers
6. Captive security fasteners prevent unauthorized access and vandalism
7. UL 48 Certified
8. Pedestal base allows for mounting to existing footing, thus eliminating the need for pouring new concrete\*\*

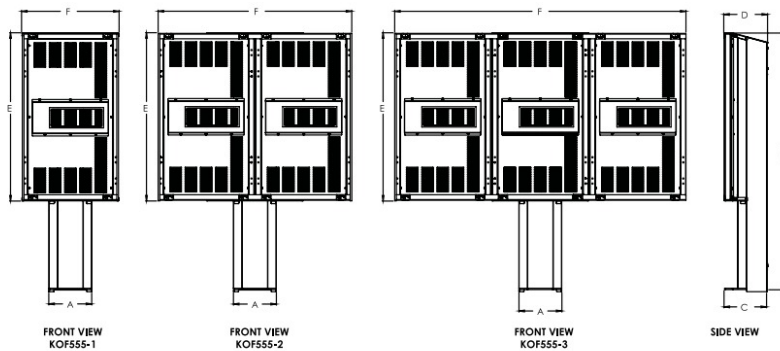
\*\*As long as it meets the requirements for various wind load specifications



All Weather Rated

For expanded product information and technical data visit [peerless-av.com](http://peerless-av.com)

## TECHNICAL DRAWINGS



MODEL NO.	DIMENSION "A"	DIMENSION "B"	DIMENSION "C"	DIMENSION "D"	DIMENSION "E"	DIMENSION "F"
KOF555-1	12.56" (319mm)	75.67" (1922mm)	12.54" (319mm)	12.62" (321mm)	49.36" (1254mm)	28.38" (721mm)
KOF555-2	12.56" (319mm)	75.67" (1922mm)	12.54" (319mm)	12.62" (321mm)	49.36" (1254mm)	57.17" (1452mm)
KOF555-3	12.56" (319mm)	75.67" (1922mm)	12.54" (319mm)	12.62" (321mm)	49.36" (1254mm)	85.97" (2184mm)

To verify mount compatibility with any display or projector model use MountFinder™ at [peerless-av.com](http://peerless-av.com).

630-375-5100 | 800-865-2112 | [info@peerless-av.com](mailto:info@peerless-av.com) | [peerless-av.com](http://peerless-av.com)

## KIOSKS



## MODELS

Supports 55" Peerless-AV® XHB554 & LG 55XE4F-M Outdoor Display(s)

<b>KOF555-1</b>	Single Configuration	Black
<b>KOF555-2</b>	Double Configuration	Black
<b>KOF555-3</b>	Triple Configuration	Black

## SPECIFICATIONS

Product Dimensions (W x H x D)

KOF555-1:	28.38" x 75.67" x 12.62" (721 x 1922 x 321mm)
KOF555-2:	57.17" x 75.67" x 12.62" (1452 x 1922 x 321mm)
KOF555-3:	85.97" x 75.67" x 12.62" (2184 x 1922 x 321mm)

Mounting Surfaces

Concrete

Ship Weight

KOF555-1:	185lb (84kg)
KOF555-2:	224lb (102kg)
KOF555-3:	290lb (132kg)

## CERTIFICATIONS

RoHS



## ACCESSORIES

Create a fully integrated drive-thru solution with a variety of options:



**KOF-OPT-SPK:**  
Speaker/Microphone Kit ..... pg# 43



**KOF-OPT-FAN:**  
Media Player Storage Fan ..... pg# 43



**KOF-OPT-SHELF:**  
Internal Media Player Shelf .... pg# 43



**KOF-OPT-ELECTRICAL:**  
Power Distribution Unit..... pg# 43





# Outdoor Accessories

Options for Peerless-AV® Outdoor Digital Menu Boards (KOF555-1, KOF555-2 & KOF555-3)

## KOF-OPT-SPK

### Speaker/Microphone Kit

1. Includes (2) Panasonic WXC-560 speaker/microphones, but designed to accommodate all major drive-thru manufacturer speakers
2. Retrofits to the Outdoor Digital Menu Board for quick and easy installation



## KOF-OPT-FAN

### Media Player Storage Fan

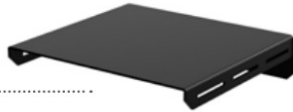
1. Create an actively cooled media player enclosure with the addition of a fan in the column
2. Circulates air to reduce the accumulation of dust



## KOF-OPT-SHELF

### Internal Media Player Shelf

1. Protects and offers moisture resistance for media player components and accessories
2. Media players can be strapped to shelf utilizing available slots on sides of shelf



## KOF-OPT-ELECTRICAL

### Power Distribution Unit

1. Available to include one or two UL rated weatherproof outlet boxes
2. Completes system as full UL compliant unit after installation





# VIDEO WALL & MENU BOARD MOUNTS

---





# SEAMLESS

BY

## peerless-AV®

---

dvLED Video Wall Integration - From start to finish.

---

The Peerless-AV® SEAMLESS dvLED Solutions Team can solve even the most complex design & technology integration challenges to create an ideal solution for any unique application.



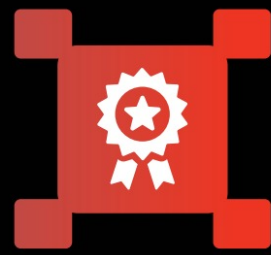
**EXPERT  
ENGINEERING & DESIGN**



**CUSTOM  
PROJECT MANAGERS**



**FULL INSTALLATION  
SERVICES**



**SEAMLESS dvLED  
MOUNTING SYSTEMS**

Visit [peerless-av.com/SEAMLESS](http://peerless-av.com/SEAMLESS) to get your dvLED project started!





**SEAMLESS** dvLED SYSTEMS

**DS-LEDUNV Models**  
SEAMLESS Kitted Universal dvLED Mounting System For Latching Displays ..... pg# 46

**DS-LEDFS**  
SEAMLESS Kitted Slim Flat dvLED Mounting Systems For Direct View LED Displays ..... pg# 47

**Custom Models**  
SEAMLESS Bespoke Custom dvLED Mounting Systems For Direct View LED Displays ..... pg# 48

**DS-LEDTK Models**  
SEAMLESS Universal Trim Kit for Direct View LED Display Video Walls 3.5" to 5.9" Deep ..... pg# 49

**SMARTMOUNT** VIDEO WALL

**DS-VW775**  
SmartMount® Supreme Full Service Video Wall Mount For 46" to 60" Displays ..... pg# 50

**DS-VW775-QR**  
SmartMount® Supreme Full Service Video Wall Mount with Quick Release For 46" to 60" Displays ... pg# 51

**DS-VW765-LAND**  
SmartMount® Full Service Video Wall Mount - Landscape For 40" to 65" Displays ..... pg# 52

**DS-VW765-LQR**  
SmartMount® Full Service Video Wall Mount with Quick Release - Landscape For 46" to 65" Displays ..... pg# 53

**DS-VW755S**  
SmartMount® Full Service Thin Video Wall Mount with Quick Release For 40" to 65" Displays ... pg# 54

**DS-VW795-QR**  
SmartMount® Full Service Video Wall Mount with Quick Release For 65" to 98" Displays ... pg# 55

**DS-VWM770**  
SmartMount® Special Purpose Video Wall Mount For 46" to 70" Displays ..... pg# 56

**DS-VW650**  
SmartMount® Ultra Thin Flat Video Wall Mounts For 40" to 65" Displays ..... pg# 57

**DS-VW665**  
SmartMount® Flat Video Wall Mounts For 40" to 65" Displays ..... pg# 58

**DS-VW655-2X2**  
SmartMount® Flat Video Wall Mount, 2x2 Kit For 46" to 55" Displays ..... pg# 59



**SMARTMOUNT** VIDEO WALL

.....continued

**DS-C560-1X3/DS-C560-2X2**  
SmartMount® Portable Video Wall Cart For 46" to 60" Displays 1x3/2x2 Configuration ..... pg# 60

**DS-C555-3X2/DS-C555-3X3**  
SmartMount® Portable Video Wall Cart For 46" to 55" Displays 2x2 and 3x2 Configuration/ 2x2, 3x2 and 3x3 Configuration ..... pg# 61

**DS-C555-4X2/DS-C555-4X3**  
SmartMount® Portable Video Wall Cart For 46" to 55" Displays 2x2, 3x2 or 4x2 Configuration/ 2x2, 3x2, 4x2 or 4x3 Configuration ..... pg# 62

**DS-S560-1X3/DS-S560-2X2**  
SmartMount® Modular Video Wall Pedestal Mount For 46" to 60" Displays 1x3/2x2 Configuration ..... pg# 63

**DS-S555-3X2/DS-S555-3X3**  
SmartMount® Modular Video Wall Pedestal Mount For 46" to 55" Displays 3x2/3x3 Configuration ..... pg# 64

**DS-S555-4X2/DS-S555-4X3**  
SmartMount® Modular Video Wall Pedestal Mount For 46" to 55" Displays 4x2/4x3 Configuration ..... pg# 65

**DS-VWT955-2X2**  
SmartMount® Video Wall Ceiling Mount For 40" to 55" Displays 2x2 Configuration ..... pg# 66

**SMARTMOUNT** MENU BOARD

**DS-MBZ642L**  
SmartMount® Digital Menu Board Mount With Height & Depth Adjustment - Landscape For 40" to 42" Displays ..... pg# 67

**DS-MBZ647L**  
SmartMount® Digital Menu Board Mount With Height & Depth Adjustment - Landscape For 46" to 65" Displays ..... pg# 67

**DS-MBZ647P**  
SmartMount® Digital Menu Board Mount With Height & Depth Adjustment - Portrait For 42" to 65" Displays ..... pg# 67

**DS-MBZ942L-2X1**  
SmartMount® Digital Menu Board Ceiling Mount with 8pt Adjustment - Landscape 2x1 Configuration for 40" to 42" Displays ..... pg# 68

**DS-MBZ947L-2X1**  
SmartMount® Digital Menu Board Ceiling Mount with 8pt Adjustment - Landscape 2x1 Configuration for 46" to 48" Displays ..... pg# 68

**DS-MBZ942L-3X1**  
SmartMount® Digital Menu Board Ceiling Mount with 8pt Adjustment - Landscape 3x1 Configuration for 40" to 42" Displays ..... pg# 68

**DS-MBZ947L-3X1**  
SmartMount® Digital Menu Board Ceiling Mount with 8pt Adjustment - Landscape 3x1 Configuration for 46" to 48" Displays ..... pg# 68



VIDEO WALL & MENU BOARD MOUNTS



MODELS

Universal Models:

Includes standard hardware for attaching display to mount

DS-LEDUNV Models

SPECIFICATIONS

	Mount Depth	Min: 2.81" (71mm) Max: 3.57" (91mm)
	Max Load	50lb (22.75kg)

CERTIFICATIONS



ACCESSORIES



**DS-LEDTK Models:**  
Universal Trim Kit  
for dvLED Video Walls  
3.5" to 5.9" Deep.....pg# 49

# SEAMLESS

## dvLED Video Wall Integration Program

All-encompassing support system  
for our partners & customers.

dvLED Video Wall Configurator



**QUICK & EASY VIDEO WALL CONFIGURATION**

**PROVIDES VIDEO WALL SPECIFICATIONS**

**REQUEST A QUOTE WITHIN MINUTES**

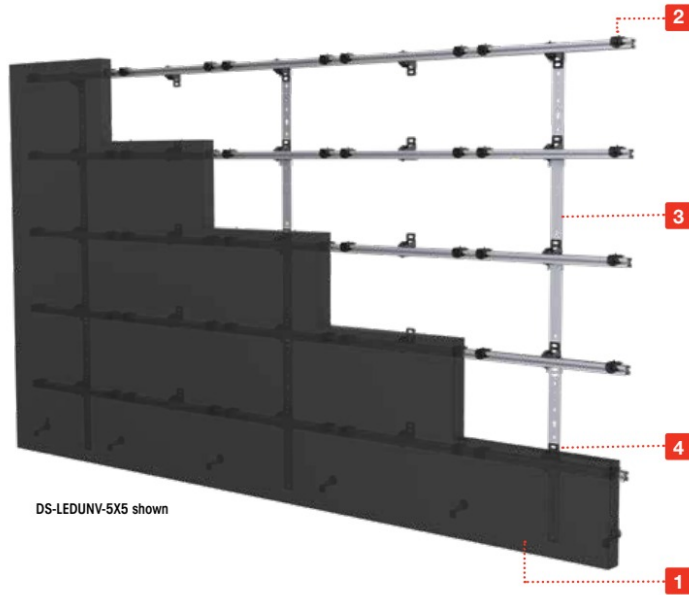
**OFFERS QUOTE HISTORY STORAGE**

Visit [Peerless-AV.com/SEAMLESS](http://Peerless-AV.com/SEAMLESS)  
to get your project started!

# SEAMLESS KITTED

## Universal dvLED Mounting System

For Latching Displays



DS-LEDUNV-5X5 shown

1. Universal design compatible with a variety of latching dvLED displays
2. X, Y and Z axis adjustment creates a seamless video wall by allowing the mount to overcome wall imperfections
3. Wall template included allows installers to quickly and accurately attach the frame to the wall
4. Quick-connect clamps allow installers to quickly and easily attach the displays to the mount frame
5. Open architecture provides ease of cable management
6. Optional Trim Kit Accessory is compatible with most displays (DS-LEDTK Models)
7. Online configurator available for quick turnaround quotes - visit [LEDConfigurator.peerless-av.com](http://LEDConfigurator.peerless-av.com)

AWARD-WINNING SOLUTION



COMPATIBLE LATCHING DVLED DISPLAY BRANDS\*



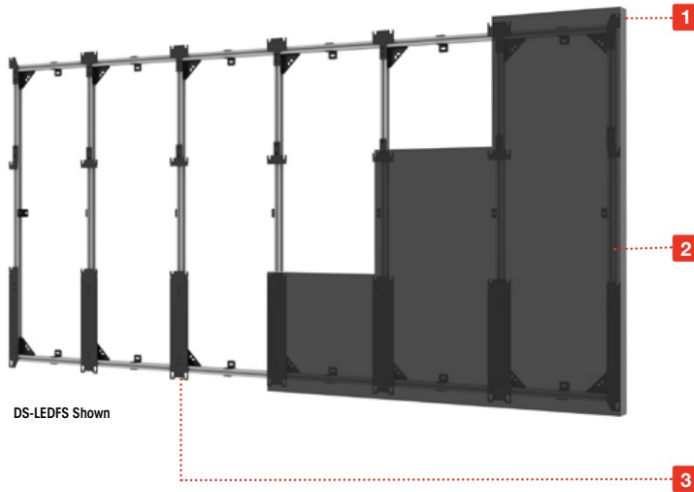
\*Please visit the product webpage, or contact a Peerless-AV® Sales Representative, for the current list of compatible latching dvLED display models.

To verify mount compatibility with any display or projector model use MountFinder™ at [peerless-av.com](http://peerless-av.com).

630-375-5100 | 800-865-2112 | [info@peerless-av.com](mailto:info@peerless-av.com) | [peerless-av.com](http://peerless-av.com)

# SEAMLESS KITTED Slim Flat dvLED Mounting Systems

For Direct View LED Displays



1. Kitted solution that's designed and built to your video wall specifications
2. Lightweight aluminum design is easier to install and minimizes the wall load
3. Adaptors adjust on the x and y axis to ease the display alignment
4. The depth adjustable wall plate creates one flat plane for the entire mount, regardless of wall imperfections
5. Clean and aesthetically pleasing installation based on a slim, space-saving design
6. Adaptable to various dvLED brands and display sizes

## AWARD-WINNING SOLUTION



To verify mount compatibility with any display or projector model use MountFinder™ at peerless-av.com.

630-375-5100 | 800-865-2112 | info@peerless-av.com | peerless-av.com

## VIDEO WALL & MENU BOARD MOUNTS



SEAMLESS  
dvLED SYSTEMS

### MODELS

#### Standard Models:

Includes standard hardware for attaching display to mount  
**DS-LEDFS**

### SPECIFICATIONS

	Mount Depth
	Min: 1.535" (39mm) Max: 1.874" (48mm)
	Max Load
	165lb Sq/m (75kg Sq/m)

### CERTIFICATIONS



### ACCESSORIES



#### DS-LEDTK Models:

Universal Trim Kit  
for dvLED Video Walls  
3.5" to 5.9" Deep.....pg# 49

Visit [Peerless-AV.com/SEAMLESS](http://Peerless-AV.com/SEAMLESS)  
to get your project started!



VIDEO WALL & MENU BOARD MOUNTS



MODELS

Custom Models

SPECIFICATIONS

dvLED Mount Type

Customized Mounting Systems  
for Unique Applications

Install Applications

Wall/Floor-to-Wall/Ceiling: Flat, Corner, Curved  
Floor: Carts, Stands/Pedestals

Video Wall Size

Large to XL  
*Specific to the Custom  
Solution Designed*

Features

Precision Components  
for Tight Tolerances  
in Complex Applications

Benefits

Completely Engineered Design  
for Specific Application

SEAMLESS **BESPOKE**  
Custom dvLED Mounting Systems

For Direct View LED Displays

Peerless-AV® provides an innovative approach to all our services. Specializing in custom dvLED solutions, we strive to stay on the cutting edge of what the industry has to offer. We are equipped to work in a variety of markets & environments, giving our customers endless design options (flat, corner or curved configurations).

Below are featured custom Bespoke Series installations the SEAMLESS team proudly designed, manufactured & installed. These unique dvLED video wall installs are utilized for DOOH advertising, immersive experiences, digital signage, informational showcasing & more.

INSTALLATION EXAMPLES



Visit [Peerless-AV.com/SEAMLESS](http://Peerless-AV.com/SEAMLESS)  
to get your project started!

To verify mount compatibility with any display or projector model use MountFinder™ at [peerless-av.com](http://peerless-av.com).



630-375-5100 | 800-865-2112



[info@peerless-av.com](mailto:info@peerless-av.com)



[peerless-av.com](http://peerless-av.com)

# SEAMLESS Universal Trim Kit

For Direct View LED Display Video Walls 3.5" to 5.9" Deep

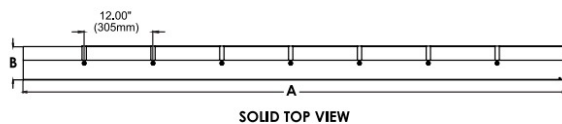
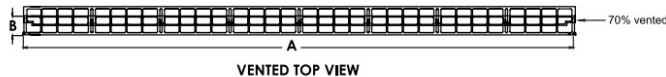
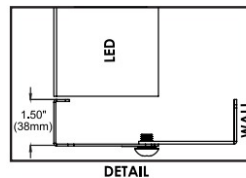
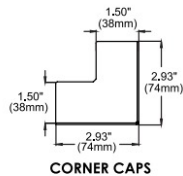


1. Aesthetically pleasing Trim Kit finishes off the video wall by covering the unsightly sides of the dvLED display
  2. Trim section options, that are solid and 70% vented, allow you to select the perfect combination for your video wall install\*
  3. Universal and depth adjustable design attaches to the wall, allowing it to go around any video wall that is 3.5" - 5.9" deep
  4. The Trim Kit can be cut to length in the field, allowing it to be stocked and ready for immediate shipment
  5. Sections measuring 5', 6' and 8' are packaged in easy to handle cardboard tubes
- \* Customer is responsible for making sure the ventilation selected is right for their video wall requirements.

For expanded product information and technical data visit [peerless-av.com](http://peerless-av.com)

## TECHNICAL DRAWINGS

DIMENSION "A"	DIMENSION "B"
5 ft	3.5" - 5.9"
6 ft	
8 ft	



To verify mount compatibility with any display or projector model use MountFinder™ at [peerless-av.com](http://peerless-av.com).

630-375-5100 | 800-865-2112 | [info@peerless-av.com](mailto:info@peerless-av.com) | [peerless-av.com](http://peerless-av.com)

## VIDEO WALL & MENU BOARD MOUNTS



SEAMLESS  
dvLED SYSTEMS

### MODELS

Dedicated Models:

**DS-LEDTK Models** Black

Part Number Nomenclature:

DS-LEDTK-Width Vented (V) or Solid (S) x Height Vented (V) or Solid (S) i.e., DS-LEDTK-10Vx6S: 10' Vented Top and Bottom x 6' Solid Sides

### SPECIFICATIONS

Product Dimensions (W x H x D)

Options: 5', 6' and 8' Long  
 Bezel: 1.5" (38mm)  
 Depth Range: 3.5" - 5.9"

Ship Weight

Corner: 5lb (2.3kg)  
 5' Solid: 8.7 (3.9kg)  
 6' Solid: 10.8lb (4.9kg)  
 8' Solid: 14.5lb (6.6kg)  
 5' Vented: 8.0lb (3.6kg)  
 6' Vented: 8.4lb (3.8kg)  
 8' Vented: 11.5lb (5.2kg)

# SEAMLESS

## dvLED Video Wall Integration Program

All-encompassing support system  
for our partners & customers.

### dvLED Video Wall Configurator



QUICK & EASY VIDEO  
WALL CONFIGURATION



PROVIDES VIDEO  
WALL SPECIFICATIONS



REQUEST A QUOTE  
WITHIN MINUTES



OFFERS QUOTE  
HISTORY STORAGE

Visit [Peerless-AV.com/SEAMLESS](http://Peerless-AV.com/SEAMLESS)  
to get your project started!



## VIDEO WALL & MENU BOARD MOUNTS



### MODELS

#### Universal Models:

Includes theft resistant and standard hardware

**DS-VW775** Black

### DISPLAY ADAPTOR



#### VESA® Pattern

Universal Models: 200 x 200 up to 600 x 400mm

### SPECIFICATIONS



#### Distance from Wall

3.90" (99mm)



#### Max Load

125lb (56.8kg)

#### Product Dimensions (W x H x D)

21.25" x 21.46" x 3.15"-14.77"  
(540 x 545 x 80-375mm)

#### Mounting Surfaces

Wood stud and plywood

#### Ship Weight

30.3lb (13.7kg)

### CERTIFICATIONS



### ACCESSORIES



#### DS-VWRSxxx:

Reusable Display Dedicated Spacers  
Contact Peerless-AV Customer Care  
for display-specific models.



#### ACC-QRL:

Quick Release Accessory - Landscape



#### ACC-QRP:

Quick Release Accessory - Portrait



#### ACC-DHK:

Display Handling Kit



#### ACC-DHP6:

Display Handling Kit  
Replacement Pads - 6pk

Contact Peerless-AV Customer Care  
for more information.

## SMARTMOUNT.

# Supreme Full Service Video Wall Mount

For 46" to 60" Displays

1. Convenient service pop-out quickly releases the mount for service with a simple turn of the lever
2. Quick release accessory releases a recessed display for service without pressing on the front of the display
3. Modular mount for unlimited video wall display configurations
4. Reusable display dedicated wall spacers eliminate guesswork and on-site installation calculations
5. No tools required for micro-adjustment 1.5" of travel on each x, y and z axis
6. Accommodates displays in landscape and portrait orientation
7. Easy hang wall plate compatible with the Peerless-AV install app for a simplified install
8. Integrated cable management allow cables to move in and out with the display
9. VESA® 600 x 400mm adaptor included



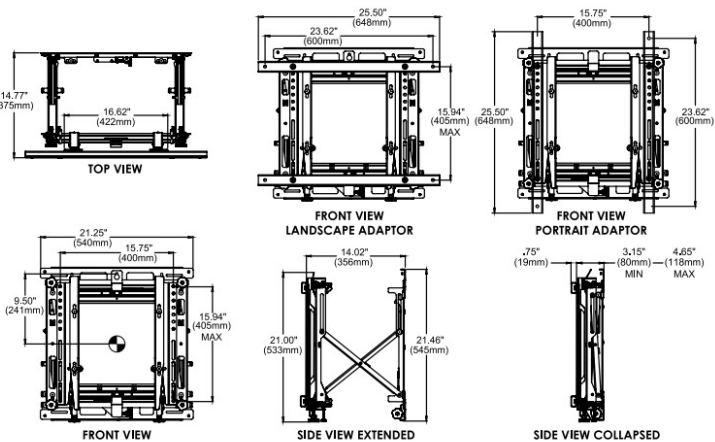
### AWARD-WINNING SOLUTION



Please visit [peerless-av.com/en-us/patents](http://peerless-av.com/en-us/patents) for patent information.

### TECHNICAL DRAWINGS

For expanded product information and technical data visit [peerless-av.com](http://peerless-av.com)



To verify mount compatibility with any display or projector model use MountFinder™ at [peerless-av.com](http://peerless-av.com).



630-375-5100 | 800-865-2112



[info@peerless-av.com](mailto:info@peerless-av.com)



[peerless-av.com](http://peerless-av.com)



SMARTMOUNT.

# Supreme Full Service Video Wall Mount with Quick Release

For 46" to 60" Displays

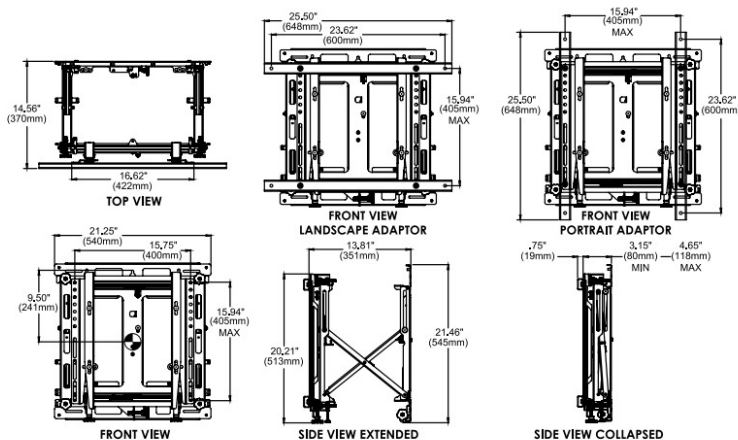
1. Toolless micro-adjustments provide 1.5" of travel on each x, y and z axis
2. Easy hang wall plate is compatible with the Peerless-AV install app for a simplified install
3. Reusable display dedicated spacers eliminate guesswork and on-site installation calculations
4. Gentle press to release provides convenient display access
5. Modular mount for unlimited video wall display configurations
6. Included security hardware deters tampering and theft
7. Accommodates displays in landscape and portrait orientation
8. Integrated cable management allow cables to move in and out with the display
9. VESA® 600 x 400mm adaptor included



Please visit [peerless-av.com/en-us/patents](http://peerless-av.com/en-us/patents) for patent information.

For expanded product information and technical data visit [peerless-av.com](http://peerless-av.com)

## TECHNICAL DRAWINGS



To verify mount compatibility with any display or projector model use MountFinder™ at [peerless-av.com](http://peerless-av.com).

630-375-5100 | 800-865-2112 | [info@peerless-av.com](mailto:info@peerless-av.com) | [peerless-av.com](http://peerless-av.com)

## VIDEO WALL & MENU BOARD MOUNTS



### MODELS

#### Universal Models:

Includes theft resistant and standard hardware

**DS-VW775-QR** Black

### DISPLAY ADAPTOR



#### VESA® Pattern

Universal Models: 200 x 200 up to 600 x 400mm

### SPECIFICATIONS



#### Distance from Wall

3.90" (99mm)



#### Max Load

125lb (56.8kg)

#### Product Dimensions (W x H x D)

21.25" x 21.46" x 3.15"-14.56"  
(540 x 545 x 80-370mm)

#### Mounting Surfaces

Wood stud and plywood

#### Ship Weight

38.2lb (17.4kg)

### CERTIFICATIONS



### ACCESSORIES



**DS-VVRSxxx:**  
Reusable Display Dedicated Spacers  
Contact Peerless-AV Customer Care for display-specific models.



**ACC-DHK:**  
Display Handling Kit



**ACC-DHP6:**  
Display Handling Kit Replacement Pads - 6pk  
Contact Peerless-AV Customer Care for more information.

SMARTMOUNT.  
VIDEO WALL

## VIDEO WALL & MENU BOARD MOUNTS



SMARTMOUNT VIDEO WALL

### MODELS

#### Universal Models:

Includes theft resistant and standard hardware

**DS-VW765-LAND** Black

### DISPLAY ADAPTOR



#### VESA® Pattern

**Universal Models:** In 100mm increments, starting at 200 x 200 up to 700 x 400mm  
Non-VESA® compatible displays require PLP adaptor plate to be purchased separately.

### SPECIFICATIONS

	<b>Distance from Wall</b>	3.08"-3.83" (78-97mm)
	<b>Max Load</b>	125lb (56.8kg)
	<b>Product Dimensions (W x H x D)</b>	35.00" x 20.00" x 3.08"-3.83" (890 x 508 x 78-97mm)
	<b>Mounting Surfaces</b>	Wood stud and plywood
	<b>Ship Weight</b>	37.95lb (17.25kg)

### CERTIFICATIONS



### ACCESSORIES



**DS-VWSxxx:**  
Wall Plate Alignment Spacers  
Contact Peerless-AV Customer Care for display-specific models.



**DS-ACC770:**  
Media Player Mounting Bracket



**DS-ACC765:**  
Cable Release Kit for recessed wall applications  
Contact Peerless-AV Customer Care for more information.



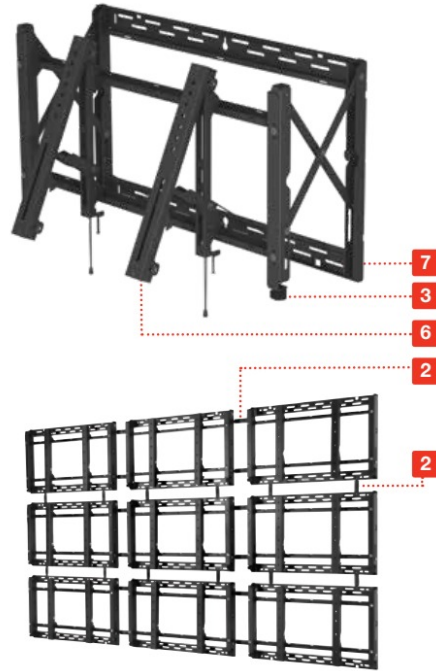
**PLP-V models:**  
Dedicated Adaptor Plates .....pg# 232

**SMARTMOUNT**

# Full Service Video Wall Mount - Landscape

For 40" to 65" Displays

1. Modular mount for unlimited video wall display configurations
2. Display specific wall plate spacers eliminate the guesswork and on-site installation calculations
3. 8 points of toolless micro adjustments align the displays
4. Displays click securely into place
5. Displays sit flush against the wall for a clean appearance on all sides
6. Pull-out/prop-open mechanism provides quick service access
7. Integrated cable management tie-backs make cabling simple
8. Includes security hardware that helps deter tampering and theft
9. VESA® mounting hole patterns from 200 x 200mm up to 700 x 400mm in 100mm increments. Additional patterns supported with adaptor plates.



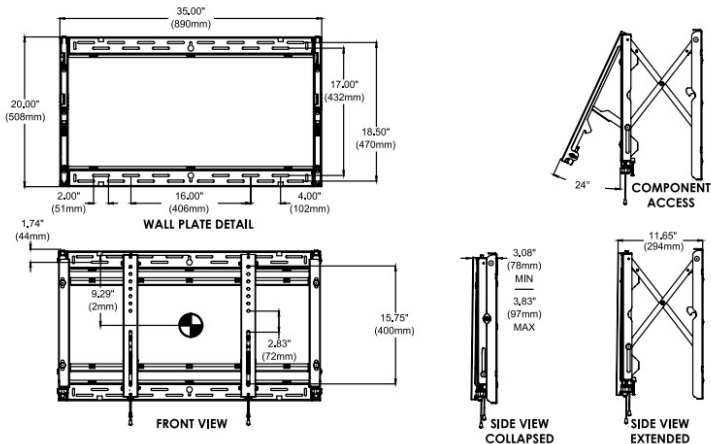
### AWARD-WINNING SOLUTION



Please visit [peerless-av.com/en-us/patents](http://peerless-av.com/en-us/patents) for patent information.

### TECHNICAL DRAWINGS

For expanded product information and technical data visit [peerless-av.com](http://peerless-av.com)



To verify mount compatibility with any display or projector model use MountFinder™ at [peerless-av.com](http://peerless-av.com).

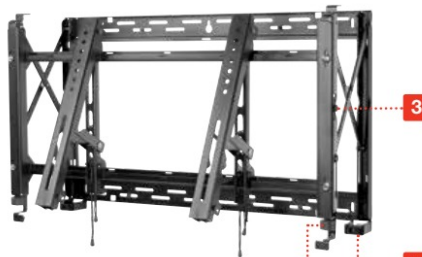
630-375-5100 | 800-865-2112 | [info@peerless-av.com](mailto:info@peerless-av.com) | [peerless-av.com](http://peerless-av.com)

**SMARTMOUNT.**

# Full Service Video Wall Mount with Quick Release - Landscape

For 46" to 65" Displays

1. Quick release pop out mechanism provides convenient display access in recessed applications
2. Quick release can be disabled with a locking screw to prevent unintentional pop-outs
3. Carriage extension force can be adjusted to accommodate the weight of the display, allowing the quick release to activate with gentle force
4. Modular mount for unlimited video wall display configurations
5. Custom wall plate spacers eliminate the guesswork and on-site installation calculations
6. Toolless micro-adjustments at 8 points allows the mount to overcome uneven walls to create a seamless video wall display
7. Pull-out/prop-open mechanism provides quick service access
8. Integrated cable management tie-backs make display-to-display cabling simple



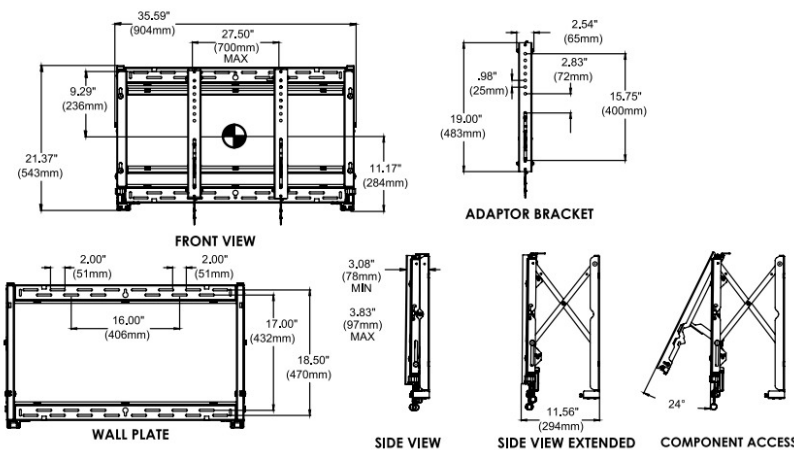
## AWARD-WINNING SOLUTION



Please visit [peerless-av.com/en-us/patents](http://peerless-av.com/en-us/patents) for patent information.

For expanded product information and technical data visit [peerless-av.com](http://peerless-av.com)

## TECHNICAL DRAWINGS



To verify mount compatibility with any display or projector model use MountFinder™ at [peerless-av.com](http://peerless-av.com).

630-375-5100 | 800-865-2112 | [info@peerless-av.com](mailto:info@peerless-av.com) | [peerless-av.com](http://peerless-av.com)

## VIDEO WALL & MENU BOARD MOUNTS



### MODELS

#### Universal Models:

Includes theft resistant and standard hardware

**DS-VW765-LQR** Black

### DISPLAY ADAPTOR



#### VESA® Pattern

Universal Models: 200 x 200 up to 700 x 400mm

### SPECIFICATIONS



#### Distance from Wall

3.08"-3.83" (78-97mm)



#### Max Load

125lb (56.8kg)

#### Product Dimensions

(W x H x D)  
 35.59" x 21.37" x 3.08"-3.83"  
 (904 x 543 x 78-97mm)

#### Mounting Surfaces

Wood stud and plywood

#### Ship Weight

39lb (17.6kg)

### CERTIFICATIONS



### ACCESSORIES



**DS-VWSxxx:**  
 Wall Plate Alignment Spacers  
 Contact Peerless-AV Customer Care for display-specific models.



**DS-ACC770:**  
 Media Player Mounting Bracket



**ACC-DHK:**  
 Display Handling Kit



**ACC-DHP6:**  
 Display Handling Kit Replacement Pads - 6pk

Contact Peerless-AV Customer Care for more information.



**PLP-V models:**  
 Dedicated Adaptor Plates .....pg# 232

SMARTMOUNT.  
VIDEO WALL



VIDEO WALL & MENU BOARD MOUNTS



MODELS

Universal Models:

Includes theft resistant hardware for attaching display to mount  
**DS-VW755S**

DISPLAY ADAPTOR

VESA® Pattern

Universal Models: 200 x 200 up to 400 x 400mm

SPECIFICATIONS

	<b>Distance from Wall</b>	1.88"-2.63" (48-67mm)
	<b>Max Load</b>	80lb (36.4kg)
	<b>Product Dimensions (W x H x D)</b>	21.44" x 20.50" x 1.88"-2.63" (545 x 521 x 48-67mm)
	<b>Mounting Surfaces</b>	Wood stud and plywood
	<b>Ship Weight</b>	25.4lb (11.5kg)

CERTIFICATIONS



ACCESSORIES

- ACC-V600X:**  
Adaptor Accessory for 600 x 400mm Mounting Patterns
  - ACC-DHK:**  
Display Handling Kit
  - ACC-DHP6:**  
Display Handling Kit Replacement Pads - 6pk
  - DS-VWRSxxx:**  
Reusable Display Dedicated Spacers
- Contact Peerless-AV Customer Care for more information.

**SMARTMOUNT**  
**Full Service Thin Video Wall Mount**  
 with Quick Release  
 For 46" to 65" Displays

1. Offers ADA compliance when mounting displays measuring  $\leq 2.0'$  deep
2. Quick release pop out mechanism provides convenient display access in recessed applications
3. Display extends into a negative tilt position for ease of service
4. Toolless micro-adjustments at 8 points allows the mount to overcome uneven walls to create a seamless video wall display
5. Accommodates displays in landscape and portrait orientation
6. Reusable custom wall plate spacers eliminate the guesswork and on-site installation calculations



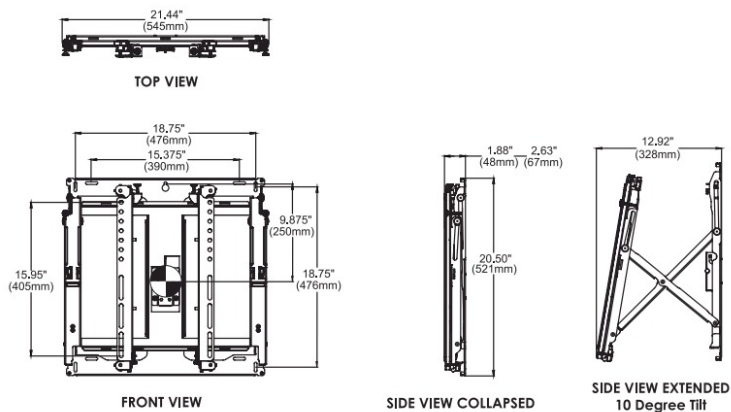
AWARD-WINNING SOLUTION



Please visit [peerless-av.com/en-us/patents](http://peerless-av.com/en-us/patents) for patent information.

TECHNICAL DRAWINGS

For expanded product information and technical data visit [peerless-av.com](http://peerless-av.com)



To verify mount compatibility with any display or projector model use MountFinder™ at [peerless-av.com](http://peerless-av.com).

# SMARTMOUNT. Full Service Video Wall Mount with Quick Release

For 65" to 98" Displays

1. Quick release pop out mechanism provides convenient display access in recessed applications
2. Quick release can be disabled with a locking screw to prevent unintentional pop-outs
3. Carriage extension force can be adjusted to accommodate the weight of the display, allowing the quick release to activate with gentle force
4. Toolless micro-adjustments at 8 points allows the mount to overcome uneven walls to create a seamless video wall display
5. Accommodates displays in landscape and portrait orientation
6. Reusable custom wall plate spacers eliminate the guesswork and on-site installation calculations
7. Modular mount for unlimited video wall display configurations
8. Integrated cable management tie-backs make display-to-display cabling simple

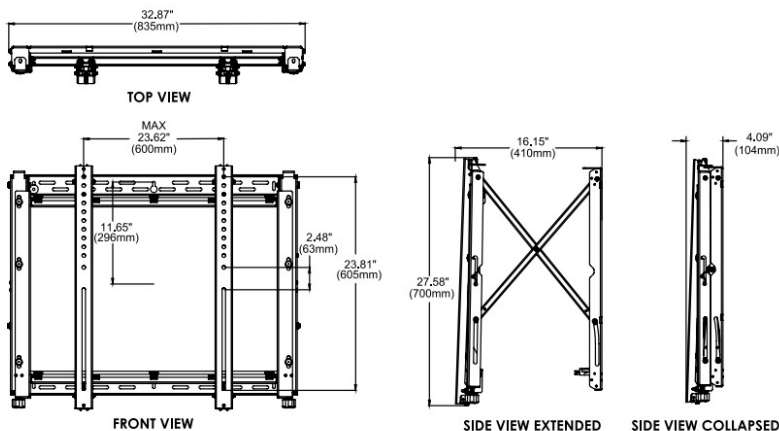


## AWARD-WINNING SOLUTION



For expanded product information and technical data visit [peerless-av.com](http://peerless-av.com)

## TECHNICAL DRAWINGS



To verify mount compatibility with any display or projector model use MountFinder™ at [peerless-av.com](http://peerless-av.com).

630-375-5100 | 800-865-2112 | [info@peerless-av.com](mailto:info@peerless-av.com) | [peerless-av.com](http://peerless-av.com)

## VIDEO WALL & MENU BOARD MOUNTS



### MODELS

#### Universal Models:

Includes theft resistant hardware for attaching display to mount  
**DS-VW795-QR** Black

### DISPLAY ADAPTOR



#### VESA® Pattern

Universal Models: 200 x 200 up to 600 x 600mm

### SPECIFICATIONS

	<b>Distance from Wall</b>
	3.68"-4.09" (93-104mm)
	<b>Max Load</b>
	225lb (102kg)
	<b>Product Dimensions (W x H x D)</b>
	32.87" x 27.58" x 3.68"-4.09" (835 x 700 x 93-104mm)
	<b>Mounting Surfaces</b>
	Wood stud, solid concrete and cinder/breeze block
	<b>Ship Weight</b>
	43lb (19.5kg)

### CERTIFICATIONS



### ACCESSORIES



**ACC-V900X:**  
Adaptor Accessory for 800 x 400 and 900 x 600mm Mounting Patterns



**ACC-V1500X:**  
Adaptor Accessory for 1200mm or 1500mm Mounting Patterns



**ACC-DHK:**  
Display Handling Kit



**ACC-DHP6:**  
Display Handling Kit Replacement Pads - 6pk

Contact Peerless-AV Customer Care for more information.

## VIDEO WALL & MENU BOARD MOUNTS



### MODELS

#### Universal Models:

Includes theft resistant hardware for attaching display to mount  
**DS-VWM770** Black

### DISPLAY ADAPTOR



#### VESA® Pattern

Universal Models: 300 x 300, 400 x 200,  
 400 x 300, 400 x 400,  
 600 x 400mm

### SPECIFICATIONS



#### Distance from Wall

4.45"-12.95" (113-329mm)



#### Swivel | Roll

±45° | ±1°



#### Max Load

125lb (56kg)

#### Product Dimensions (W x H x D)

26.94" x 18.79" x 4.45"-12.95"  
 (684 x 477 x 113-329mm)

#### Mounting Surfaces

Wood stud, solid concrete  
 and cinder/breeze block

#### Ship Weight

42.5lb (19.3kg)

### CERTIFICATIONS



### ACCESSORIES



**ACC-DHK:**  
 Display Handling Kit



**ACC-DHP6:**  
 Display Handling Kit  
 Replacement Pads - 6pk

Contact Peerless-AV Customer Care  
 for more information.

SMARTMOUNT.

# Special Purpose Video Wall Mount

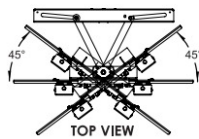
For 46" to 70" Displays

1. Display attaches to the mount in 15° increments from 0° - 360° providing designers with endless creative possibilities
2. Display extends from the wall allowing the user to easily service the video wall
3. Ten points of micro adjustment provide precise video wall alignment
4. Includes security lock out screw to eliminate pull-out ability
5. Accommodates VESA® mounting patterns of 300 x 300, 400 x 200, 400 x 300, 400 x 400, 600 x 400mm
6. Offers up to 90° of swivel for convenient rear access when extended from the wall

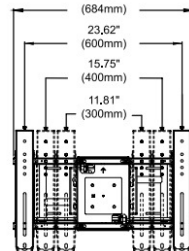


### TECHNICAL DRAWINGS

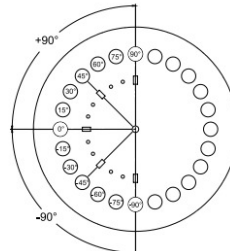
For expanded product information and technical data visit [peerless-av.com](http://peerless-av.com)



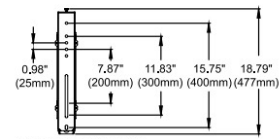
TOP VIEW



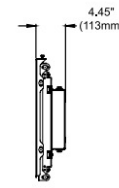
FRONT VIEW



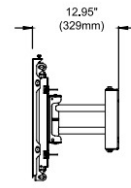
ROTATION



ADAPTOR BRACKET



SIDE VIEW



SIDE VIEW EXTENDED

To verify mount compatibility with any display or projector model use MountFinder™ at [peerless-av.com](http://peerless-av.com).



630-375-5100 | 800-865-2112



info@peerless-av.com



peerless-av.com

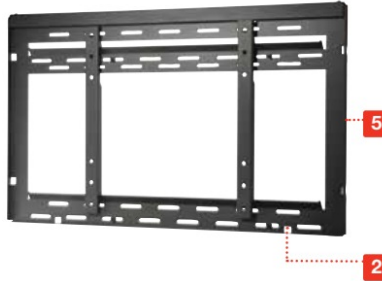


**SMARTMOUNT.**

# Ultra Thin Flat Video Wall Mount

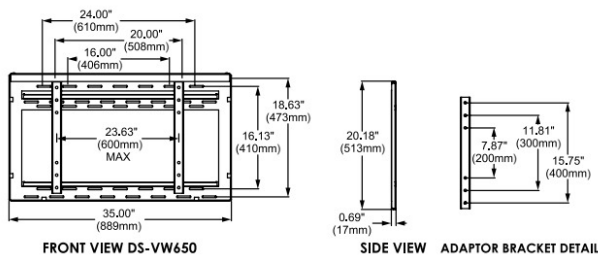
For 40" to 65" Displays

1. Modular mount for unlimited video wall display configuration
2. Custom wall plate spacers eliminate the guesswork and on-site installation calculations
3. Displays and mounts sit flush against the wall for a clean profile
4. Included security hardware deters tampering and theft
5. Ultra-thin design provides streamlined video wall profiles
6. Allows ultra thin displays to meet ADA requirement, which states display face must extend no more than 4" (102mm) off the wall



For expanded product information and technical data visit [peerless-av.com](http://peerless-av.com)

## TECHNICAL DRAWINGS



## VIDEO WALL & MENU BOARD MOUNTS



### MODELS

#### Universal Models:

Includes theft resistant hardware for attaching display to mount

**DS-VW650** Ultra Thin Black

### DISPLAY ADAPTOR



#### VESA® Pattern

Universal Models: In 100mm increments, starting at 200 x 200 up to 600 x 400mm

### SPECIFICATIONS



#### Distance from Wall

0.69" (18mm)



#### Max Load

75lb (34kg)

#### Product Dimensions (W x H x D)

35.00" x 20.18" x 0.69"  
(889 x 513 x 18mm)

#### Mounting Surfaces

Wood stud, concrete and cinder/breeze block

#### Ship Weight

16lb (7.3kg)

### CERTIFICATIONS



### ACCESSORIES



#### DS-VWSxxx:

Wall Plate Alignment Spacers

Contact Peerless-AV Customer Care for display-specific models.

Contact Peerless-AV Customer Care for more information.



#### PLP-V models:

Dedicated Adaptor Plates .....pg# 232

To verify mount compatibility with any display or projector model use MountFinder™ at [peerless-av.com](http://peerless-av.com).



630-375-5100

| 800-865-2112



info@peerless-av.com



peerless-av.com

SMARTMOUNT.  
VIDEO WALL

VIDEO WALL & MENU BOARD MOUNTS



SMARTMOUNT VIDEO WALL

MODELS

**Universal Models:**  
Includes theft resistant hardware for attaching display to mount  
**DS-VW665** Black

DISPLAY ADAPTOR



**VESA® Pattern**  
**Universal Models:** 200 x 200 up to 700 x 400mm  
Non-VESA® compatible displays require PLP adaptor plate to be purchased separately.

SPECIFICATIONS



**Distance from Wall**  
3.10"-3.85" (79-98mm)



**Max Load**  
125lb (57kg)

**Product Dimensions (W x H x D)**  
35.00" x 20.00" x 3.10"-3.85"  
(889 x 508 x 79-98mm)

**Mounting Surfaces**  
Wood stud, concrete and cinder/breeze block

**Ship Weight**  
30.5lb (14kg)

CERTIFICATIONS



ACCESSORIES



**DS-VWSxxx:**  
Wall Plate Alignment Spacers  
Contact Peerless-AV Customer Care for display-specific models.

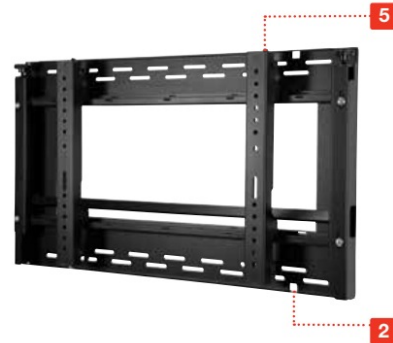
Contact Peerless-AV Customer Care for more information.



**PLP-V models:**  
Dedicated Adaptor Plates .....pg# 232

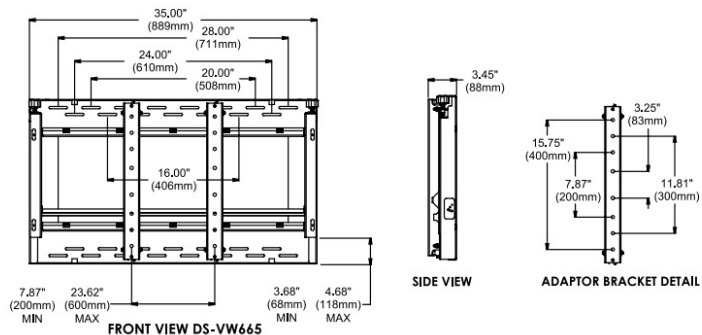
SMARTMOUNT Flat Video Wall Mount  
For 40" to 65" Displays

1. Modular mount for unlimited video wall display configuration
2. Custom wall plate spacers eliminate the guesswork and on-site installation calculations
3. Displays and mounts sit flush against the wall for a clean profile
4. Included security hardware deters tampering and theft
5. Toolless micro adjustment at 8 points seamlessly align the displays



TECHNICAL DRAWINGS

For expanded product information and technical data visit [peerless-av.com](http://peerless-av.com)

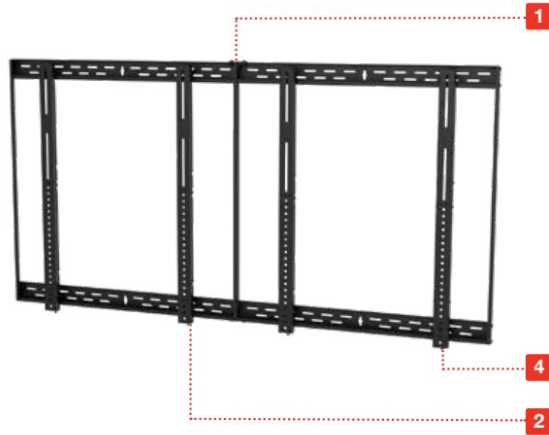


To verify mount compatibility with any display or projector model use MountFinder™ at [peerless-av.com](http://peerless-av.com).

**SMARTMOUNT.**

# Flat Video Wall Mount, 2x2 Kit

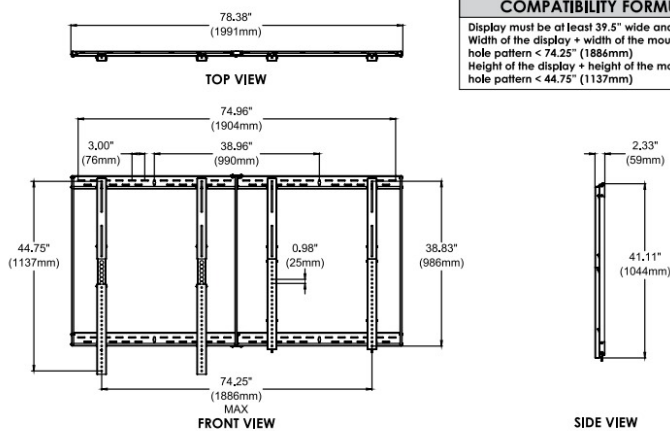
For 46" to 55" Displays



1. 2x2 video wall mounting kit
2. Horizontal adjustment makes mounting and aligning displays quick and easy
3. Compatible with most narrow bezel video wall displays in the 46" to 55" range
4. Included security screws deter tampering and theft
5. Thin design measures just 2.33" (59mm) deep
6. Compact packaging for ease of shipment

For expanded product information and technical data visit [peerless-av.com](http://peerless-av.com)

## TECHNICAL DRAWINGS



To verify mount compatibility with any display or projector model use [MountFinder™](http://MountFinder™) at [peerless-av.com](http://peerless-av.com).

630-375-5100 | 800-865-2112 | [info@peerless-av.com](mailto:info@peerless-av.com) | [peerless-av.com](http://peerless-av.com)

## VIDEO WALL & MENU BOARD MOUNTS



### MODELS

#### Universal Models:

Includes theft resistant hardware for attaching display to mount

**DS-VW655-2X2**

Black

### DISPLAY ADAPTOR



Mounting Pattern (W x H)

Universal Models: 1886 x 1137mm (74.25" x 44.75")

### SPECIFICATIONS



Distance from Wall

2.33" (59mm)



Max Load

600lb (272kg)

Product Dimensions (W x H x D)

78.38" x 41.11" x 2.33"  
(1991 x 1044 x 59mm)

Mounting Surfaces

Plywood, wood stud, cinder/  
breeze block and concrete

Ship Weight

72.2lb (32.8kg)

### CERTIFICATIONS

**RoHS**  
COMPLIANT

**TAA**  
COMPLIANT

### ACCESSORIES



**ACC-V600800:**  
Adaptor Accessory for 800 x 400mm  
Mounting Patterns

Contact Peerless-AV Customer Care  
for more information.

SMARTMOUNT.  
VIDEO WALL





MODELS

Universal Models:

Includes theft resistant hardware for attaching display to mount

**DS-C560-1X3** For 46" to 60" Displays Black  
1x3 Configuration

**DS-C560-2X2** For 46" to 60" Displays Black  
2x2 Configuration

DISPLAY ADAPTOR



VESA® Pattern

Universal Models: 200 x 200 up to 600 x 400mm

SPECIFICATIONS



Max Load

**DS-C560-1X3:** 375lb (170kg) 125lb per display  
**DS-C560-2X2:** 500lb (227kg) 125lb per display

Product Dimensions (W x H x D)

**DS-C560-1X3:** 40.29" x 102.49" x 36.10"  
(1023 x 2603 x 917mm)  
**DS-C560-2X2:** 80.58" x 84.41" x 36.10"  
(2047 x 2144 x 917mm)

Ship Weight

**DS-C560-1X3:** 279lb (126.8kg)  
**DS-C560-2X2:** 185lb (84kg)

CERTIFICATIONS



ACCESSORIES



**ACC-V600X:**  
Adaptor Accessory for 600 x 400mm  
Mounting Patterns



**ACC310VWC4:**  
Accessory Feet 4 Pack



**ACC006:**  
Six Plug Surge Protector and Cord Wrap  
Contact Peerless-AV Customer Care  
for more information.

SMARTMOUNT  
Portable Video Wall Cart

For 46" to 60" Displays up to 5" deep (127mm)

1. Modular design can be utilized for multiple configurations with a single SKU
2. Toolless micro adjustment at 8 points seamlessly align the displays
3. Lockable 5" casters enable safe and easy maneuverability over various flooring surfaces
4. Cable management through rear adjustable cable centralizing brackets
5. Designed for quick set-up and teardown
6. Adaptors feature a quick connect latch for automatic engagement with the mounting rails and ease of set-up
7. Rear media storage shelf and cover stores components while maintaining a clean appearance
8. Aluminum frame reduces the overall weight and shipping costs
9. Designed for displays that are up to 5" deep (127mm)

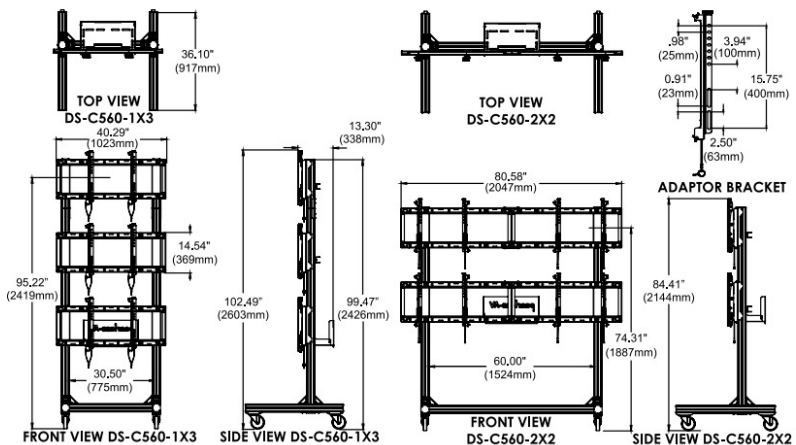


TECHNICAL DRAWINGS

For expanded product information and technical data visit [peerless-av.com](http://peerless-av.com)

DS-C560-1X3	COMPATIBILITY FORMULA
Display width ≥ 40.29"	Display Height ≤ 31.0"

DS-C560-2X2	COMPATIBILITY FORMULA
Display height ≤ 34"	Display width + mount pattern width ≤ 80"



To verify mount compatibility with any display or projector model use MountFinder™ at [peerless-av.com](http://peerless-av.com).

# SMARTMOUNT. Portable Video Wall Cart

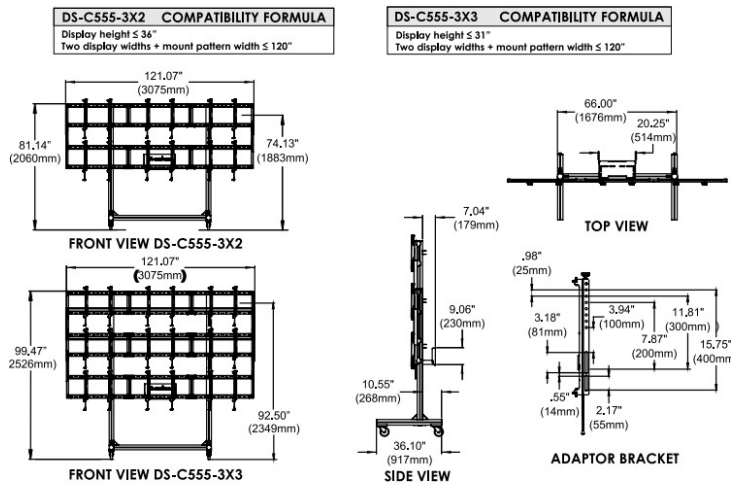
For 46" to 55" Displays up to 5" deep (127mm)

1. Modular design can be utilized for multiple configurations with a single SKU
2. Toolless micro adjustment at 8 points seamlessly align the displays
3. Lockable 5" casters enable safe and easy maneuverability over various flooring surfaces
4. Cable management through rear adjustable cable centralizing brackets
5. Designed for quick set-up and teardown
6. Adaptors feature a quick connect latch for automatic engagement with the mounting rails and ease of set-up
7. Rear media storage shelf and cover stores components while maintaining a clean appearance
8. Aluminum frame reduces the overall weight and shipping costs
9. Designed for displays that are up to 5" deep (127mm)



For expanded product information and technical data visit [peerless-av.com](http://peerless-av.com)

## TECHNICAL DRAWINGS



To verify mount compatibility with any display or projector model use MountFinder™ at [peerless-av.com](http://peerless-av.com).

630-375-5100 | 800-865-2112 | [info@peerless-av.com](mailto:info@peerless-av.com) | [peerless-av.com](http://peerless-av.com)

## VIDEO WALL & MENU BOARD MOUNTS



### MODELS

#### Universal Models:

Includes theft resistant hardware for attaching display to mount

**DS-C555-3X2** 2x2 and 3x2 Configuration Black

**DS-C555-3X3** 2x2, 3x2 and 3x3 Configuration Black

### DISPLAY ADAPTOR



#### VESA® Pattern

Universal Models: 200 x 200 up to 600 x 400mm

### SPECIFICATIONS



#### Max Load

DS-C555-3X2: 600lb (272kg) 100lb per display

DS-C555-3X3: 900lb (409kg) 100lb per display

#### Product Dimensions (W x H x D)

DS-C555-3X2: 121.07" x 81.14" x 36.10"  
(3075 x 2060 x 917mm)

DS-C555-3X3: 121.07" x 99.47" x 36.10"  
(3075 x 2526 x 917mm)

#### Ship Weight

DS-C555-3X2: 228lb (103.6kg)

DS-C555-3X3: 307lb (139.5kg)

### CERTIFICATIONS



### ACCESSORIES



#### ACC-V600X:

Adaptor Accessory for 600 x 400mm Mounting Patterns



#### ACC310VWC4:

Accessory Feet 4 Pack



#### ACC006:

Six Plug Surge Protector and Cord Wrap

Contact Peerless-AV Customer Care for more information.



MODELS

Universal Models:

- Includes theft resistant hardware for attaching display to mount
- DS-C555-4X2** For 46" to 55" Displays Black 2x2, 3x2 or 4x2 Configuration
  - DS-C555-4X3** For 46" to 55" Displays Black 2x2, 3x2, 4x2 or 4x3 Configuration

DISPLAY ADAPTOR



VESA® Pattern

Universal Models: 200 x 200 up to 600 x 400mm

SPECIFICATIONS



Max Load

**DS-C555-4X2:** 800lb (363kg) 100lb per display  
**DS-C555-4X3:** 1200lb (545kg) 100lb per display

Product Dimensions (W x H x D)

**DS-C555-4X2:** 171.63" x 84.41" x 36.10"  
 (4359 x 2144 x 917mm)  
**DS-C555-4X3:** 171.63" x 102.49" x 36.10"  
 (4359 x 2603 x 917mm)

Ship Weight

**DS-C555-4X2:** 334lb (151.8kg)  
**DS-C555-4X3:** 536lb (243.6kg)

CERTIFICATIONS



ACCESSORIES



**ACC-V600X:**  
Adaptor Accessory for 600 x 400mm Mounting Patterns



**ACC310WVC6:**  
Accessory Feet 6 Pack



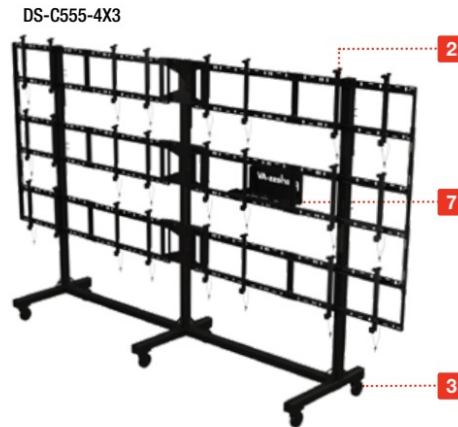
**ACC006:**  
Six Plug Surge Protector and Cord Wrap  
Contact Peerless-AV Customer Care for more information.

SMARTMOUNT

Portable Video Wall Cart

For 46" to 55" Displays up to 5" deep (127mm)

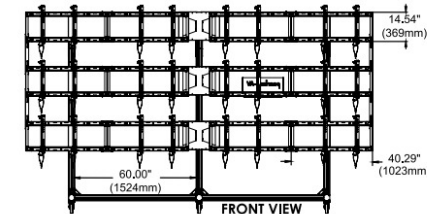
1. Modular design can be utilized for multiple configurations with a single SKU
2. Toolless micro adjustment at 8 points seamlessly align the displays
3. Lockable 5" casters enable safe and easy maneuverability over various flooring surfaces
4. Cable management through rear adjustable cable centralizing brackets
5. Designed for quick set-up and teardown
6. Adaptors feature a quick connect latch for automatic engagement with the mounting rails and ease of set-up
7. Rear media storage shelf and cover stores components while maintaining a clean appearance
8. Aluminum frame reduces the overall weight and shipping costs
9. Designed for displays that are up to 5" deep (127mm)



TECHNICAL DRAWINGS

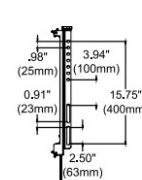
For expanded product information and technical data visit [peerless-av.com](http://peerless-av.com)

**DS-C555-4X2 COMPATIBILITY FORMULA**  
 Display height ≤ 36"  
 Three display widths + mount pattern width ≤ 171"

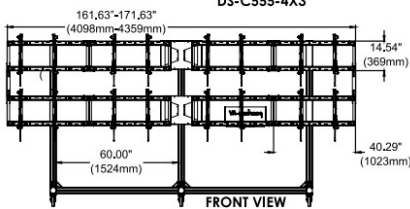


FRONT VIEW DS-C555-4X2

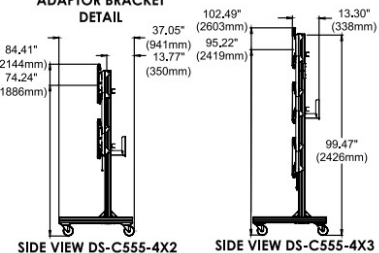
**DS-C555-4X3 COMPATIBILITY FORMULA**  
 Display width ≥ 40.5" Display Height ≤ 31.0"  
 Three display widths + mount pattern width ≤ 171"



ADAPTOR BRACKET DETAIL



FRONT VIEW DS-C555-4X3



SIDE VIEW DS-C555-4X2

SIDE VIEW DS-C555-4X3

To verify mount compatibility with any display or projector model use MountFinder™ at [peerless-av.com](http://peerless-av.com).



630-375-5100 | 800-865-2112



info@peerless-av.com



peerless-av.com



**SMARTMOUNT.**

# Modular Video Wall Pedestal Mount

For 46" to 60" Displays up to 5" deep (127mm)

1. Toolless micro adjustment at 8 points seamlessly align the displays
2. Bolts directly to concrete without requiring additional connections to the wall or ceiling
3. Cable management through rear adjustable cable centralizing brackets
4. Adaptors feature a quick connect latch for automatic engagement with the mounting rails and ease of set-up
5. Rear media storage shelf and cover stores components while maintaining a clean appearance
6. Aluminum frame reduces the overall weight and shipping costs
7. Designed for displays that are up to 5" deep (127mm)

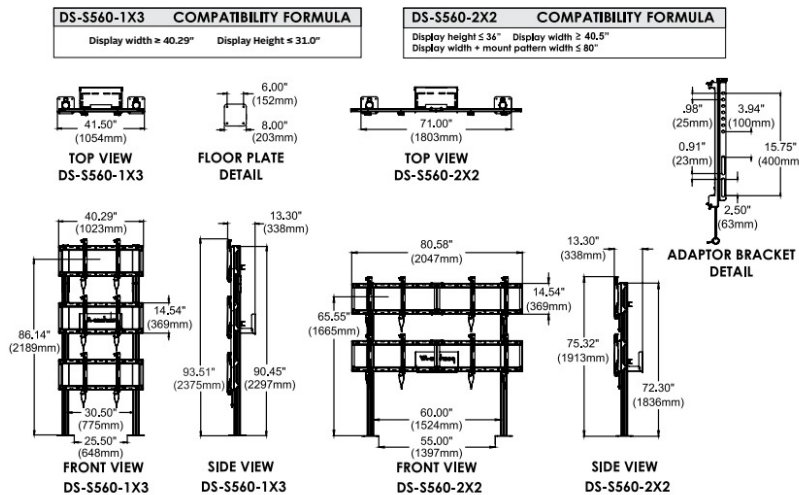
DS-S560-1X3



DS-S560-2X2



## TECHNICAL DRAWINGS



To verify mount compatibility with any display or projector model use MountFinder™ at peerless-av.com.

630-375-5100 | 800-865-2112 | info@peerless-av.com | peerless-av.com

## VIDEO WALL & MENU BOARD MOUNTS



### MODELS

#### Universal Models:

Includes theft resistant hardware for attaching display to mount

**DS-S560-1X3** For 46" to 60" Displays 1x3 Configuration Black

**DS-S560-2X2** For 46" to 60" Displays 2x2 Configuration Black

### DISPLAY ADAPTOR



#### VESA® Pattern

Universal Models: 200 x 200 up to 600 x 400mm

### SPECIFICATIONS



#### Max Load

**DS-S560-1X3:** 375lb (170kg) 125lb per display  
**DS-S560-2X2:** 500lb (227kg) 125lb per display

#### Product Dimensions (W x H x D)

**DS-S560-1X3:** 41.50" x 93.51" x 13.30"  
 (1054 x 2375 x 338mm)  
**DS-S560-2X2:** 80.58" x 75.32" x 13.30"  
 (2047 x 1913 x 338mm)

#### Ship Weight

**DS-S560-1X3:** 247lb (112.3kg)  
**DS-S560-2X2:** 147lb (66.8kg)

### CERTIFICATIONS



### ACCESSORIES



#### ACC-V600X:

Adaptor Accessory for 600 x 400mm Mounting Patterns



#### ACC006:

Six Plug Surge Protector and Cord Wrap

Contact Peerless-AV Customer Care for more information.

SMARTMOUNT.  
VIDEO WALL

## VIDEO WALL & MENU BOARD MOUNTS



### MODELS

#### Universal Models:

Includes theft resistant hardware for attaching display to mount

**DS-S555-3X2** 3x2 Configuration Black

**DS-S555-3X3** 3x3 Configuration Black

### DISPLAY ADAPTOR



#### VESA® Pattern

Universal Models: 200 x 200 up to 600 x 400mm

### SPECIFICATIONS



#### Max Load

**DS-S555-3X2:** 600lb (272kg) 100lb per display  
**DS-S555-3X3:** 900lb (409kg) 100lb per display

#### Product Dimensions (W x H x D)

**DS-S555-3X2:** 121.07" x 75.44" x 13.36"  
 (3075 x 1916 x 339mm)  
**DS-S555-3X3:** 121.07" x 90.35" x 13.36"  
 (3075 x 2295 x 339mm)

#### Ship Weight

**DS-S555-3X2:** 191lb (86.8kg)  
**DS-S555-3X3:** 264lb (120kg)

### CERTIFICATIONS



### ACCESSORIES



#### ACC-V600X:

Adaptor Accessory for 600 x 400mm Mounting Patterns



#### ACC006:

Six Plug Surge Protector and Cord Wrap

Contact Peerless-AV Customer Care for more information.

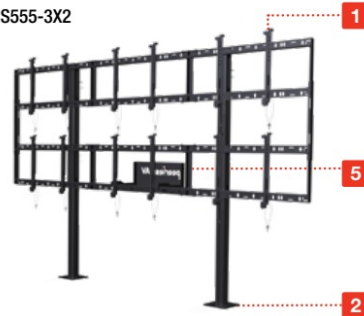
## SMARTMOUNT.

# Modular Video Wall Pedestal Mount

For 46" to 55" Displays up to 5" deep (127mm)

1. Toolless micro adjustment at 8 points seamlessly align the displays
2. Bolts directly to concrete without requiring additional connections to the wall or ceiling
3. Cable management through rear adjustable cable centralizing brackets
4. Adaptors feature a quick connect latch for automatic engagement with the mounting rails and ease of set-up
5. Rear media storage shelf and cover stores components while maintaining a clean appearance
6. Aluminum frame reduces the overall weight and shipping costs
7. Designed for displays that are up to 5" deep (127mm)

DS-S555-3X2

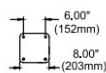


DS-S555-3X3



### TECHNICAL DRAWINGS

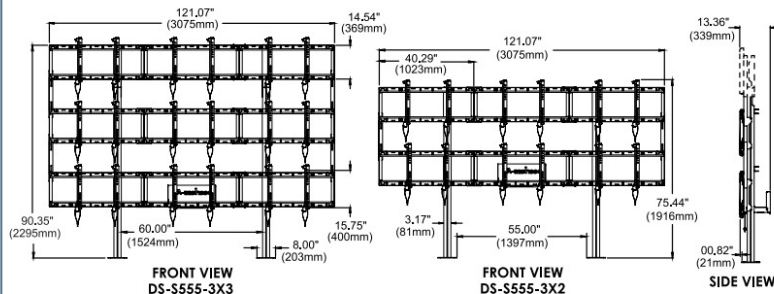
For expanded product information and technical data visit [peerless-av.com](http://peerless-av.com)



**DS-S555-3X2 COMPATIBILITY FORMULA**  
 Display height ≤ 36"  
 Display width ≥ 40.5"  
 Two display widths + mount pattern width ≤ 120"

**DS-S555-3X3 COMPATIBILITY FORMULA**  
 Display height ≤ 31"  
 Display width ≥ 40.5"  
 Two display widths + mount pattern width ≤ 120"

#### FLOOR PLATE



To verify mount compatibility with any display or projector model use MountFinder™ at [peerless-av.com](http://peerless-av.com).



630-375-5100 | 800-865-2112



[info@peerless-av.com](mailto:info@peerless-av.com)

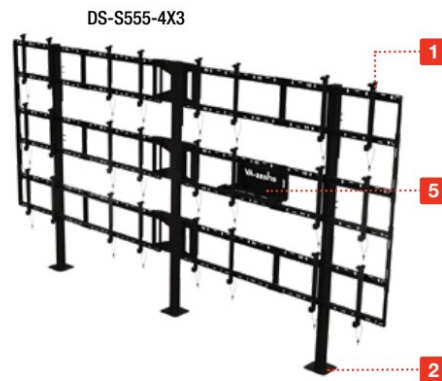
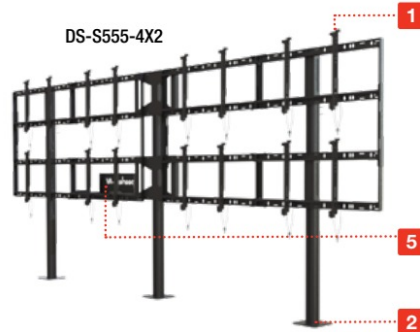


[peerless-av.com](http://peerless-av.com)

# Modular Video Wall Pedestal Mount

For 46" to 55" Displays up to 5" deep (127mm)

1. Toolless micro adjustment at 8 points seamlessly align the displays
2. Bolts directly to concrete without requiring additional connections to the wall or ceiling
3. Cable management through rear adjustable cable centralizing brackets
4. Adaptors feature a quick connect latch for automatic engagement with the mounting rails and ease of set-up
5. Rear media storage shelf and cover stores components while maintaining a clean appearance
6. Aluminum frame reduces the overall weight and shipping costs
7. Designed for displays that are up to 5" deep (127mm)

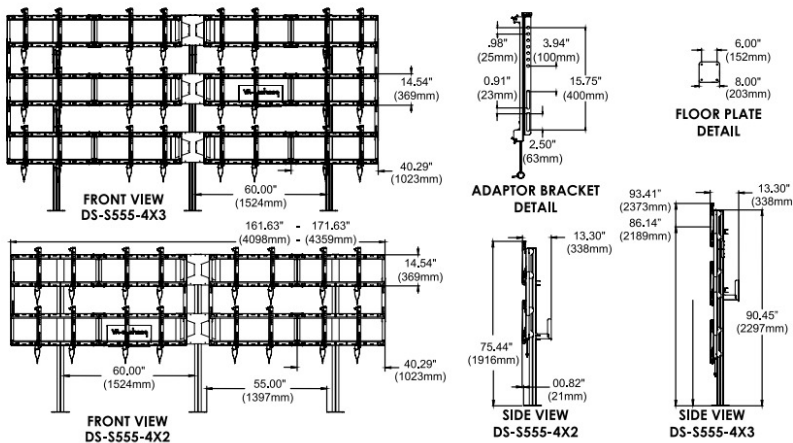


For expanded product information and technical data visit [peerless-av.com](http://peerless-av.com)

## TECHNICAL DRAWINGS

DS-S555-4X2	COMPATIBILITY FORMULA
Display width ≥ 40.5"	Display Height ≤ 36"
Three display widths + mount pattern width ≤ 171"	

DS-S555-4X3	COMPATIBILITY FORMULA
Display width ≥ 40.5"	Display Height ≤ 31.0"
Three display widths + mount pattern width ≤ 171"	



To verify mount compatibility with any display or projector model use [MountFinder™](http://MountFinder.com) at [peerless-av.com](http://peerless-av.com).

630-375-5100 | 800-865-2112 | [info@peerless-av.com](mailto:info@peerless-av.com) | [peerless-av.com](http://peerless-av.com)

## VIDEO WALL & MENU BOARD MOUNTS



### MODELS

#### Universal Models:

Includes theft resistant hardware for attaching display to mount

**DS-S555-4X2** For 46" to 55" Displays 4x2 Configuration Black

**DS-S555-4X3** For 46" to 55" Displays 4x3 Configuration Black

### DISPLAY ADAPTOR



#### VESA® Pattern

Universal Models: 200 x 200 up to 600 x 400mm

### SPECIFICATIONS



#### Max Load

**DS-S555-4X2:** 800lb (363kg) 100lb per display  
**DS-S555-4X3:** 1200lb (545kg) 100lb per display

#### Product Dimensions (W x H x D)

**DS-S555-4X2:** 171.63" x 75.44" x 13.30"  
 (4359 x 1916 x 338mm)  
**DS-S555-4X3:** 171.63" x 93.41" x 13.30"  
 (4359 x 2373 x 338mm)

#### Ship Weight

**DS-S555-4X2:** 263lb (119.5kg)  
**DS-S555-4X3:** 478lb (217.3kg)

### CERTIFICATIONS



### ACCESSORIES



**ACC-V600X:**  
 Adaptor Accessory for 600 x 400mm Mounting Patterns



**ACC006:**  
 Six Plug Surge Protector and Cord Wrap

Contact Peerless-AV Customer Care for more information.



VIDEO WALL & MENU BOARD MOUNTS



MODELS

Universal Models:

Includes theft resistant hardware for attaching display to mount

**DS-VWT955-2X2** Black

DISPLAY ADAPTOR



VESA® Pattern

Universal Models: 200 x 200 up to 600 x 400mm

SPECIFICATIONS



Tilt

5°, 10°, 15° and 20°



Max Load

400lb (182kg)

Product Dimensions

(W x H x D)

71.54" x 49.00" x 8.00"  
(1817 x 1244 x 203mm)

Mounting Surfaces

Ceiling Accessory Required

Ship Weight

95lb (43kg)

CERTIFICATIONS



ACCESSORIES



ADD Models:

Ceiling Extensions ..... pg# 231



DCS, DCT Models:

Ceiling Plates .....pg# 231

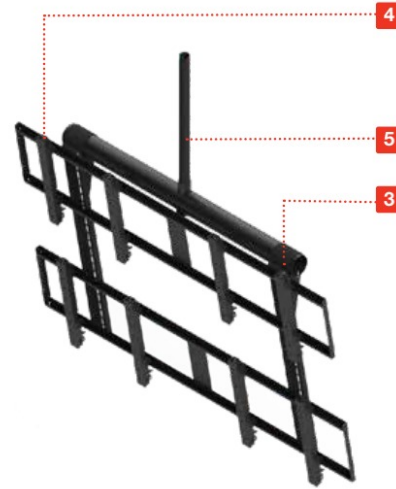


PLP-V models:

Dedicated Adaptor Plates .....pg# 232

**SMARTMOUNT**  
Video Wall Ceiling Mount  
2x2 Configuration for 40" to 55" Displays

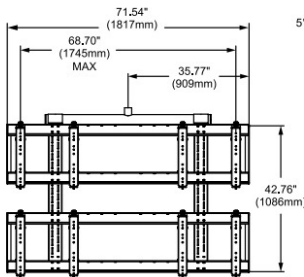
1. Ceiling mounted 2x2 video wall solution
2. Supports mounting hole patterns of VESA® 200 x 200 up to 600 x 400mm. Additional patterns supported with adaptor plates
3. Tilt options of 5°, 10°, 15° and 20°
4. 8 points of tool-less micro adjustment provides precise alignment
5. Compatible with Peerless-AV® standard columns
6. Included security hardware deters tampering and loss



TECHNICAL DRAWINGS

For expanded product information and technical data visit [peerless-av.com](http://peerless-av.com)

**COMPATIBILITY**  
Display width must be a minimum of 36"  
Display height must be >20.875" <27.16"  
Screen width + horizontal mounting hole pattern must be less than 1745 mm

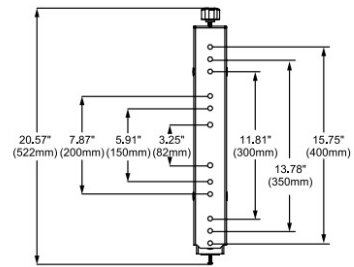


FRONT VIEW

5°, 10°, 15°, 20°



SIDE VIEW



ADAPTOR BRACKET

To verify mount compatibility with any display or projector model use MountFinder™ at [peerless-av.com](http://peerless-av.com).



630-375-5100 | 800-865-2112



[info@peerless-av.com](mailto:info@peerless-av.com)



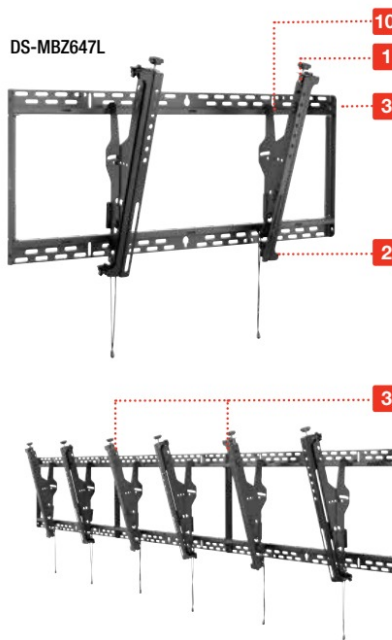
[peerless-av.com](http://peerless-av.com)

SMARTMOUNT.

# Digital Menu Board Mount with Height & Depth Adjustment

For 40" to 65" Displays

1. Toolless vertical adjustment for post installation leveling
2. Toolless four corner depth adjustment aligns the displays on the same plane
3. Connecting wall plates create a continuous mounting surface, reducing installation time and cost
4. Kickstand provides convenient cable access
5. The quick connect latch automatically engages the wall plate for a speedy set-up
6. Simple one-to-one ordering process
7. Continuous and Increlok™ tilt options
8. Open wall plate reduces wall interference
9. Included security hardware deters tampering and theft
10. Horizontal adjustment provides a seamless appearance

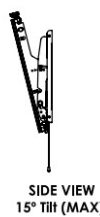
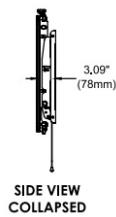
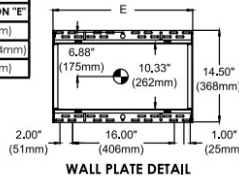
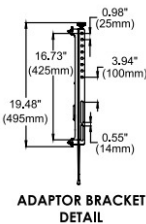
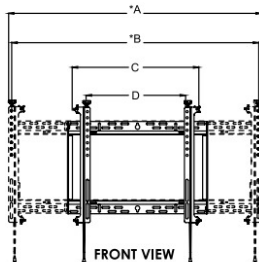


For expanded product information and technical data visit [peerless-av.com](http://peerless-av.com)

## TECHNICAL DRAWINGS

MAXIMUM VALUES					
MODEL NO.	DIMENSION "A"	DIMENSION "B"	DIMENSION "C"	DIMENSION "D"	DIMENSION "E"
DS-MBZ642L	36.23" (920mm)	35.38" (899mm)	36.80" (935mm)	33" (838mm)	35" (889mm)
DS-MBZ647L	39.98" (1015mm)	39.13" (994mm)	40.55" (1030mm)	36.75" (933mm)	38.75" (984mm)
DS-MBZ647P	23.23" (590mm)	22.38" (568mm)	23.80" (605mm)	20" (508mm)	22" (559mm)

\*distances achieved by reversing brackets



To verify mount compatibility with any display or projector model use MountFinder™ at [peerless-av.com](http://peerless-av.com).

630-375-5100 | 800-865-2112

info@peerless-av.com

peerless-av.com

## VIDEO WALL & MENU BOARD MOUNTS



### MODELS

#### Universal Models:

Includes theft resistant hardware for attaching display to mount

**DS-MBZ642L** 40" to 42" Displays - Landscape Black

**DS-MBZ647L** 46" to 65" Displays - Landscape Black

**DS-MBZ647P** 42" to 65" Displays - Portrait Black

### DISPLAY ADAPTOR



Mounting Pattern (W x H)

DS-MBZ642L: 899 x 400mm (35.38" x 15.75")

DS-MBZ647L: 994 x 400mm (39.13" x 15.75")

DS-MBZ647P: 568 x 400mm (22.38" x 15.75")

### SPECIFICATIONS



Distance from Wall

3.09" (78mm)



Tilt

+15°/0°



Max Load

100lb (45.5kg)

Product Dimensions (W x H x D)

DS-MBZ642L: 35.00" x 19.48" x 3.09"  
(889 x 495 x 78mm)

DS-MBZ647L: 38.75" x 19.48" x 3.09"  
(984 x 495 x 78mm)

DS-MBZ647P: 22.00" x 19.48" x 3.09"  
(559 x 495 x 78mm)

Mounting Surfaces

Wood stud and plywood

Ship Weight

DS-MBZ642L: 12lb (5.4kg)

DS-MBZ647L: 13lb (5.9kg)

DS-MBZ647P: 11.5lb (5.2kg)

### CERTIFICATIONS

RoHS

TAA COMPLIANT

### ACCESSORIES



**ACC-MB0800:**  
8" Accessory Wall Plate



**ACC-MB2200:**  
22" Accessory Wall Plate



**ACC-MB3500:**  
35" Accessory Wall Plate



**ACC-MB3875:**  
38.75" accessory Wall Plate



**ACC-MBF:**  
Menu Board Mount Ceiling Attachment Accessory for converting wall mounts to ceiling

Contact Peerless-AV Customer Care for more information.

SMARTMOUNT.  
MENU BOARD

VIDEO WALL & MENU BOARD MOUNTS



MODELS

Universal Models:

Includes theft resistant hardware for attaching display to mount

2x1 Configuration		
<b>DS-MBZ942L-2X1</b>	40" to 42" Displays	Black
<b>DS-MBZ947L-2X1</b>	46" to 48" Displays	Black

3x1 Configuration		
<b>DS-MBZ942L-3X1</b>	40" to 42" Displays	Black
<b>DS-MBZ947L-3X1</b>	46" to 48" Displays	Black

DISPLAY ADAPTOR

Mounting Pattern	(W x H)
DS-MBZ942L-2X1:	1788 x 400mm (70.40" x 15.75")
DS-MBZ947L-2X1:	1978 x 400mm (77.80" x 15.75")
DS-MBZ942L-3X1:	2677 x 400mm (105.40" x 15.75")
DS-MBZ947L-3X1:	2962 x 400mm (116.60" x 15.75")

SPECIFICATIONS

Tilt
+15°/0°

Max Load
2X1 Configuration: 200lb (90.9kg)
3X1 Configuration: 300lb (136kg)

Product Dimensions	(W x H x D)
DS-MBZ942L-2X1:	70.00" x 19.49" x 7.47" (1778 x 495 x 190mm)
DS-MBZ947L-2X1:	77.50" x 19.49" x 7.47" (1968 x 495 x 190mm)
DS-MBZ942L-3X1:	105.00" x 19.49" x 7.47" (2667 x 495 x 190mm)
DS-MBZ947L-3X1:	116.25" x 19.49" x 7.47" (2953 x 495 x 190mm)

Mounting Surfaces  
Ceiling Accessory Required

Ship Weight
DS-MBZ942L-2X1: 61.1lb (27.7kg)
DS-MBZ947L-2X1: 62.1lb (28.2kg)
DS-MBZ942L-3X1: 99.9lb (45.4kg)
DS-MBZ947L-3X1: 101.4lb (46.1kg)

CERTIFICATIONS



ACCESSORIES

**ADD Models:**  
Ceiling Extensions ..... pg# 231

**DCS, DCT Models:**  
Ceiling Plates ..... pg# 231

**ACC-MBCR1:**  
Ceiling Menu Board Connector for 4x1 configurations

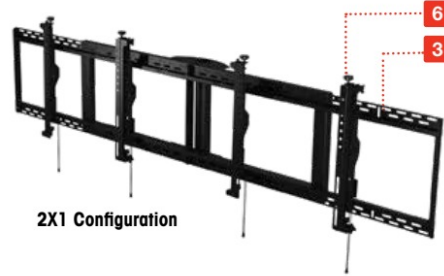
**ACC-MBS:**  
Menu Board Shelf  
Contact Peerless-AV Customer Care for more information.

SMARTMOUNT

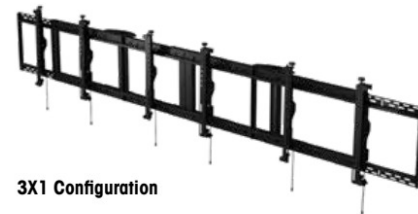
Digital Menu Board Ceiling Mount with 8pt Adjustment - Landscape

2x1 & 3x1 Configurations for 40" to 48" Displays

- Connecting wall plates create a continuous mounting surface for ease of display alignment
- Quick connect latch automatically engages the wall plate when mounting the display for a speedy set-up and peace of mind
- Horizontal adjustment allows the installer to create a menu board with a seamless appearance
- Continuous and Increlok™ tilt options assure that all displays are tilted at the same angle to assure alignment
- Included security hardware deters tampering and theft
- 8pt toolless micro-adjustment provides post installation display alignment on the x, y and z axis



2X1 Configuration



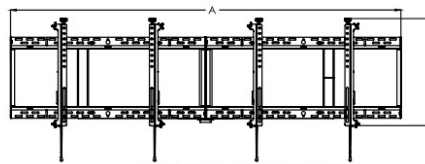
3X1 Configuration

For information on Multi-Display & Ceiling Mounts, see pages 142-149

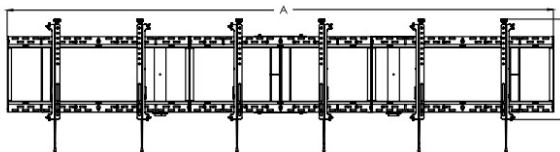
TECHNICAL DRAWINGS

For expanded product information and technical data visit peerless-av.com

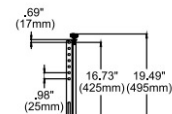
MODEL NO.	DIMENSION "A"	DIMENSION "B"
DS-MBZ942L-2X1	70.00" (1778mm)	19.49" (495mm)
DS-MBZ947L-2X1	77.50" (1968mm)	19.49" (495mm)
DS-MBZ942L-3X1	105.00" (2667mm)	19.49" (495mm)
DS-MBZ947L-3X1	116.25" (2953mm)	19.49" (495mm)



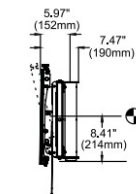
DS-MBZ94%L-2X1 FRONT VIEW



DS-MBZ94%L-3X1 FRONT VIEW



ADAPTOR BRACKET



SIDE VIEW 15° TILT

To verify mount compatibility with any display or projector model use MountFinder™ at peerless-av.com.





# DISPLAY MOUNTS

---



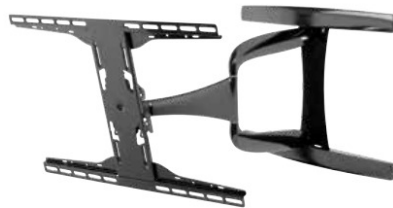
# FORM MEETS FUNCTION

If you're looking for a mount that is sleek, easy to install, and effortlessly adjusts for the perfect viewing angle, look no further - Peerless-AV<sup>®</sup> has created it.

The DesignerSeries<sup>™</sup> wall mounts are some of the thinnest wall mounts on the market and offer the most versatile features and mounting options.



FLAT



ARTICULATING



WITH IN-WALL BOX

For more information on DesignerSeries<sup>™</sup> wall mounts, see pages 124-131.



UNIVERSAL MOUNTS

Universal Mounts Chart.....pg# 71-75



**SMARTMOUNT™** Wall Mounts

**SF630(P) Models**  
SmartMount™ Flat Wall Mount for 10" to 29" Displays .....pg# 76

**SF632(P) Models**  
SmartMount™ Flat Wall Mount for 22" to 43" Displays .....pg# 77

**SF640(P) Models**  
SmartMount™ Universal Flat Wall Mount for 32" to 50" Displays .....pg# 78

**SF650(P) Models**  
SmartMount™ Universal Flat Wall Mounts for 39" to 75" Displays .....pg# 79

**SF660(P) Models**  
SmartMount™ Universal Flat Wall Mounts for 39" to 80" Displays .....pg# 79

**SF670(P) Models**  
SmartMount™ Universal Flat Wall Mount for 46" to 90" Displays .....pg# 80

**SF680(P) Models**  
SmartMount™ Universal Flat Wall Mount for 60" to 98" Displays .....pg# 81

**SF680P-HUB2**  
SmartMount™ Universal Flat Wall Mount for 85" Microsoft® Surface™ Hub 2S.....pg# 81

**SFP680**  
SmartMount™ Universal Portrait Flat Wall Mount for 46" to 90" Displays .....pg# 82

**SF680-HUB**  
SmartMount™ Universal Flat Wall Mount for 55" to 98" Displays .....pg# 83

**SF640-HUB2**  
SmartMount™ Universal Flat Wall Mount for 50" Microsoft® Surface™ Hub 2S.....pg# 83

**RMI3-FLIP2**  
Rotational Wall Mount for the 55" (WM55H, WM55R) and 65" (WM65R) Samsung Flip 2 .....pg# 84

**SF16D**  
SmartMount™ Display-Specific Flat Wall Mount for up to 71" Displays.....pg# 85

**ST630(P) Models**  
SmartMount™ Tilt Wall Mount for 10" to 29" Displays .....pg# 86

**ST632(P) Models**  
SmartMount™ Tilt Wall Mount for 22" to 43" Displays .....pg# 87

**ST640(P) Models**  
SmartMount™ Universal Tilt Wall Mount for 32" to 50" Displays .....pg# 88

**ST650(P) Models**  
SmartMount™ Universal Tilt Wall Mounts for 39" to 75" Displays .....pg# 89

**ST660(P) Models**  
SmartMount™ Universal Tilt Wall Mounts for 39" to 80" Displays .....pg# 89

**ST670(P) Models**  
SmartMount™ Universal Tilt Wall Mount for 46" to 90" Displays .....pg# 90

**ST680(P) Models**  
SmartMount™ Universal Tilt Wall Mount for 60" to 98" Displays .....pg# 91

**STP680 Models**  
SmartMount™ Universal Portrait Tilt Wall Mount for 46" to 90" Displays .....pg# 92

**SMARTMOUNT™** Wall Mounts

.....continued

**ST16D Models**  
SmartMount™ Display-Specific Tilt Wall Mount for up to 71" Displays.....pg# 93

**SP730P**  
SmartMount™ Pivoting Wall Mount for 10" to 29" Displays .....pg# 94

**SP740P**  
SmartMount™ Pivoting Wall Mount for 22" to 43" Displays .....pg# 95

**SP746PU**  
SmartMount™ Pivoting Wall Mount for 32" to 50" Displays .....pg# 96

**HPF650**  
Pull-out Pivot Wall Mount for 32" to 65" Displays .....pg# 97

**FPS-1000**  
Pull-out Pivot Wall Mount for 32" to 80" Displays .....pg# 98

**SP840**  
SmartMount™ Pull-out Pivot Wall Mount with Tilt for 32" to 65" Displays .....pg# 99

**SP850 Models**  
SmartMount™ Pull-out Pivot Wall Mounts for 32" to 80" Displays .....pg# 100

**SP850-UNM/SP850-UNL(P) Models**  
SmartMount™ Pull-out Pivot Wall Mounts for 49" to 65" & 32" to 80" Displays .....pg# 101

**SA730P**  
SmartMount™ Articulating Wall Mount for 10" to 29" Displays .....pg# 102

**SA740P**  
SmartMount™ Articulating Wall Mount for 22" to 43" Displays .....pg# 103

**SA746PU**  
SmartMount™ Articulating Wall Mount for 32" to 50" Displays .....pg# 104

**HA746-STB**  
Hospitality Wall Arm Mount with STB Enclosure for 43" to 55" Displays .....pg# 105

**SA752PU**  
SmartMount™ Articulating Wall Arm for 37" to 55" Displays .....pg# 106

**SA761PU**  
SmartMount™ Articulating Wall Arm for 39" to 75" Displays .....pg# 107

**SA771PU**  
SmartMount™ Articulating Wall Arm for 46" to 90" Displays .....pg# 108

**HPF665**  
Universal Swing-Out Wall Mount For 55" to 75" Displays.....pg# 109

**PARAMOUNT™** Wall Mounts

**PF630**  
Paramount™ Flat Wall Mount for 10" to 29" Displays .....pg# 110

**PF632**  
Paramount™ Flat Wall Mount for 22" to 43" Displays .....pg# 111

**PF640**  
Paramount™ Universal Flat Wall Mount for 32" to 46" Displays .....pg# 112

**PF650**  
Paramount™ Universal Flat Wall Mount for 39" to 75" Displays .....pg# 113

**PF660**  
Paramount™ Universal Flat Wall Mount for 39" to 90" Displays .....pg# 113

**PT630**  
Paramount™ Tilt Wall Mount for 10" to 29" Displays .....pg# 114

**PT632**  
Paramount™ Tilt Wall Mount for 22" to 43" Displays .....pg# 115

**PARAMOUNT™** Wall Mounts

.....continued

**PT640**  
Paramount™ Universal Tilt Wall Mount for 32" to 46" Displays .....pg# 116

**PT650**  
Paramount™ Universal Tilt Wall Mount for 39" to 75" Displays .....pg# 117

**PT660**  
Paramount™ Universal Tilt Wall Mount for 39" to 90" Displays .....pg# 117

**PP730**  
Paramount™ Pivot Wall Mount for 10" to 29" Displays .....pg# 118

**PP740**  
Paramount™ Pivot Wall Mount for 22" to 43" Displays .....pg# 119

**PA730**  
Paramount™ Articulating Wall Mount for 10" to 29" Displays .....pg# 120

**PA740**  
Paramount™ Articulating Wall Mount for 22" to 43" Displays .....pg# 121

**PA746**  
Paramount™ Articulating Wall Mount for 32" to 50" Displays .....pg# 122

**PA750**  
Paramount™ Articulating Wall Mount for 39" to 75" Displays .....pg# 123

**PA762**  
Paramount™ Articulating Wall Mount for 39" to 90" Displays .....pg# 124

Designer Series™ Wall/In-Wall Mounts

**SUF640P**  
DesignerSeries™ Universal Ultra Slim Flat Mount for 37" to 50" Ultra-thin Displays.....pg# 125

**SUF650P**  
DesignerSeries™ Universal Ultra Slim Flat Wall Mount for 37" to 75" Ultra-thin Displays.....pg# 125

**SUF660P**  
DesignerSeries™ Universal Ultra Slim Flat Wall Mount for 40" to 80" Ultra-thin Displays.....pg# 125

**SUF641**  
DesignerSeries™ Universal Ultra Slim Flat Wall Mount for 24" to 50" Ultra-thin Displays.....pg# 126

**SUF651**  
DesignerSeries™ Universal Ultra Slim Flat Wall Mount for 37" to 75" Ultra-thin Displays.....pg# 126

**SUF661**  
DesignerSeries™ Universal Ultra Slim Flat Wall Mount for 40" to 80" Ultra-thin Displays.....pg# 126

**SUA740P**  
DesignerSeries™ Ultra Slim Articulating Wall Mount for 32" to 43" Ultra-thin Displays.....pg# 127

**SUA747PU**  
DesignerSeries™ Universal Ultra Slim Articulating Wall Mount for 32" to 50" Ultra-thin Displays .....pg# 128

**SUA761PU**  
DesignerSeries™ Universal Ultra Slim Articulating Wall Mount for 37" to 65" Ultra-thin Displays .....pg# 129

**SUA771PU**  
DesignerSeries™ Universal Ultra Slim Articulating Wall Mount for 42" to 90" Ultra-thin Displays .....pg# 130

**OSUA771PU**  
DesignerSeries™ Universal Ultra Slim Articulating Wall Mount for 55" to 77" OLED/QLED Displays .....pg# 131

**IM747PU**  
DesignerSeries™ Articulating Mount with In-Wall Box for 37" to 65" Ultra-thin Displays .....pg# 132

**IM771PU**  
DesignerSeries™ Articulating Mount with In-Wall Box for 42" to 90" Ultra-thin Displays .....pg# 133





...continued



**IN-WALL BOXES**

- IB14X9-W/ IB14X9-AC-W**  
14x9" In-Wall Box for Recessed  
Power and AV Components .....pg# 134
- IB14X14-W/ IB14X14-AC-W**  
14x14" In-Wall Box for Recessed  
Power and AV Components .....pg# 135

**MEDIA STORAGE**

- DST660**  
SmartMount® Flat/Tilt Wall Mount  
with Media Device Storage  
for 40" to 60" Displays .....pg# 136
- DST360**  
Flat/Tilt Wall or Ceiling Mount  
with Media Device Storage  
for 26" to 60" Displays .....pg# 137
- DS334**  
Media Player Mounting Bracket .....pg# 138
- DS496**  
Media Player Mounting Plate  
for Apple Mac Mini Computer .....pg# 138
- DSX750**  
Media Player Storage  
for 32" to 60" Displays .....pg# 138

**MULTI-DISPLAY & CEILING MOUNTS**

- DST995**  
SmartMount® Flat/Tilt Universal Ceiling Mount  
with Media Device Storage  
for 40" to 95" Displays .....pg# 139
- PLB-1**  
Back-to-Back Ceiling Mount  
for up to 90" Displays .....pg# 140
- DST965**  
SmartMount® Back-to-Back Ceiling Mount  
with Media Device Storage  
for 40" to 65" Displays .....pg# 141



**MULTI-DISPLAY & CEILING MOUNTS**

- .....continued
- DST970X2**  
Dual-Display Ceiling Mount  
for 40" to 70" Displays .....pg# 142
- DST980-3**  
Multi-Display Ceiling Mount  
with Three Telescoping Arms  
for 37" to 80" Displays .....pg# 143
- DST980-4**  
Multi-Display Ceiling Mount  
with Four Telescoping Arms  
for 37" to 75" Displays .....pg# 144
- DST980-6**  
Multi-Display Ceiling Mount  
with Six Telescoping Arms  
for 37" to 42" Displays .....pg# 145
- MDJ Models**  
Multi-Display Ceiling System  
for 32" to 50" Displays .....pg# 146-147
- PLCM Models**  
SmartMount® Ceiling Mounts  
for up to 90" Displays .....pg# 148-149
- PLCK Models**  
SmartMount® Ceiling Mounts  
for up to 90" Displays .....pg# 150

**COLUMN & WINDOW DISPLAY**

- CMAL**  
Round Column Mount  
for Digital Signage Displays .....pg# 151
- DS-OM46ND-CEIL/DS-OM55ND-CEIL**  
**DS-OM46ND-FLOOR/ S-OM55ND-FLOOR**  
Floor and Ceiling Window Display Mounts  
for Samsung OM46N-D and OM55N-D  
Double-Sided Displays .....pg# 152
- DSF265L/DSF265P**  
Floor to Ceiling Landscape/ Portrait  
Cable Mount for 46" to 65" Displays .....pg# 153



**MODULAR MOUNTS**

- MOD-FPSKIT100(B)/150(B) Models**  
Modular Series Ceiling Kits  
for up to 75" Displays .....pg# 154
- MOD-FCSKIT300(B) Models**  
Modular Series Floor-to-Ceiling Kits  
for up to 75" Displays .....pg# 154
- Modular Series Individual Components  
to 'Build Your Own' Solution**  
for up to 75" Displays .....pg# 155
- MOD-FPS2KIT150(B) Models**  
Modular Series Dual Pole Ceiling Kits  
for 46" to 90" Displays .....pg# 156
- MOD-FCS2KIT300(B) Models**  
Modular Series Dual Pole  
Floor-to-Ceiling Kits  
for 46" to 90" Displays .....pg# 156
- MOD-FW2KIT300(B) Models**  
Modular Series Dual Pole  
Floor-to-Wall Kits  
for 46" to 90" Displays .....pg# 156
- MOD-FPP2KIT200(B) Models**  
Modular Series Dual Pole  
Free Standing Kits  
for 46" to 90" Displays .....pg# 156
- Modular Series Dual Pole Individual  
Components to 'Build Your Own' Solution**  
for 46" to 90" Displays .....pg# 157

**TRUSS**

- DSF290**  
Truss Mount  
for 12" truss with 2" Outer Diameter Tubing  
for 40" to 90" Displays .....pg# 158
























**I-BEAM**

- IMAM/IMAL**  
I-Beam Mounts  
for Digital Signage Displays .....pg# 159



# Universal Mounts

## DISPLAY MOUNTS























Product Type	Display Size Range	Model(s)	Picture	Max Load	Mounting Pattern (W x H)	Distance From the Wall	Tilt Range	Metal Stud Accessory	Single/Double Stud Mounting	Catalog Page			
Flat Mounts	SMARTMOUNT.	10"-29"	SF630(P)		80lb (36kg)	VESA® 75 and 100mm	0.96" (24mm)	N/A	ACC215	Single	76		
		22"-43"	SF632(P)		115lb (52kg)	VESA® 75, 100, 200 x 100 and 200 x 200mm	1.02" (26mm)	N/A	ACC215	Single	77		
		32"-50"	SF640(P)		150lb (68kg)	450 x 405mm (17.72" x 15.95")	1.20" (30mm)	N/A	ACC415	Single / Double	78		
		39"-75"	SF650(P)		175lb (79kg)	742 x 405mm (29.21" x 15.95")	1.20" (30mm)	N/A	ACC415	Double	79		
		39"-80"	SF660(P)		200lb (91kg)	824 x 405mm (32.44" x 15.95")	1.20" (30mm)	N/A	ACC415	Double	79		
		46"-90"	SF670(P)		250lb (113kg)	895 x 450mm (35.25" x 17.72")	1.73" (44mm)	N/A	ACC615	Double / Triple	80		
		60"-98"	SF680(P)		350lb (158kg)	1100 x 650mm (43.29" x 25.59")	1.73" (44mm)	N/A	ACC615	Triple	81		
		85" Microsoft® Surface™ Hub 2S	SF680P-HUB2		350lb (158kg)	1100 x 650mm (43.29" x 25.59")	1.73" (44mm)	N/A	ACC615	Triple	81		
		46"-90"	SFP680		350lb (158kg)	494 x 650mm (19.45" x 25.59")	1.70" (43mm)	N/A	ACC615	Triple	82		
		55"-98"	SF680-HUB		300lb (136.1kg)	1216 x 608mm (47.89" x 23.94")	2.13" (54mm)	N/A	ACC615	Double	83		
		50" Microsoft® Surface™ Hub 2S	SF640-HUB2		80lb (36.3kg)	350 x 350mm (13.78" x 13.78")	0.52" (13mm)	N/A	ACC615	Double	83		
		55" or 65" Samsung Flip 2	RMI3-FLIP2		90lb (41kg)	400 x 400mm (15.75" x 15.75")	3.24" (82mm)	0°, -4.5°	ACC615	Double	84		
		Designer Series*	PARAMOUNT.	10"-29"	PF630		50lb (23kg)	VESA® 75 and 100mm	0.64" (16mm)	N/A	ACC215	Single	110
				22"-43"	PF632		80lb (36kg)	VESA® 100, 200 x 100 and 200 x 200mm	0.64" (16mm)	N/A	ACC215	Single	111
				32"-46"	PF640		100lb (45kg)	450 x 305mm (17.72" x 12.01")	1.26" (32mm)	N/A	ACC415	Double	112
39"-75"	PF650				150lb (68kg)	742 x 405mm (29.23" x 15.95")	1.26" (32mm)	N/A	ACC415	Double	113		
39"-90"	PF660				200lb (91kg)	825 x 405mm (32.48" x 15.95")	1.26" (32mm)	N/A	ACC415	Double	113		
37"-50"	SUF640P				150lb (68kg)	450 x 402mm (17.73" x 15.82")	0.33" (8mm)	N/A	ACC215	Double	125		
37"-75"	SUF650P				150lb (68kg)	742 x 449mm (29.23" x 17.67")	0.33" (8mm)	N/A	ACC415	Double	125		
40"-80"	SUF660P				150lb (68kg)	825 x 449mm (32.48" x 17.67")	0.33" (8mm)	N/A	ACC415 / ACC615	Double / Triple	125		
24"-50"	SUF641				150lb (68kg)	75 to 425mm (in 25mm increments)	0.19" (5mm)	N/A	N/A	Double	126		
37"-75"	SUF651				150lb (68kg)	150 to 400 & 550 to 700mm (in 25mm increments)	0.19" (5mm)	N/A	N/A	Double	126		
40"-80"	SUF661		150lb (68kg)	150 to 400 & 550 to 800mm (in 25mm increments)	0.19" (5mm)	N/A	N/A	Double	126				

\* Designed for use with displays that are less than 3" (75mm) deep

To verify mount compatibility with any display or projector model use MountFinder™ at [peerless-av.com](http://peerless-av.com).

630-375-5100 | 800-865-2112 | [info@peerless-av.com](mailto:info@peerless-av.com) | [peerless-av.com](http://peerless-av.com)



Product Type	Display Size Range	Model(s)	Picture	Max Load	Mounting Pattern (W x H)	Distance From the Wall	Tilt Range	Metal Stud Accessory	Single/ Double Stud Mounting	Catalog Page		
Tilt Mounts	SMARTMOUNT	10"-29"	ST630(F)		80lb (36kg)	VESA® 75 and 100mm	1.58"-2.23" (40-57mm)	+15°/-5°	ACC215	Single	86	
		22"-43"	ST632(F)		115lb (52kg)	VESA® 75, 100, 200 x 100 and 200 x 200mm	1.65"-2.82" (42-72mm)	+15°/-5°	ACC215	Single	87	
		32"-50"	ST640(F)		150lb (68kg)	458 x 405mm (18.02" x 15.95")	2.62"-5.40" (67-137mm)	+15°/-5°	ACC415	Single / Double	88	
		39"-75"	ST650(F)		175lb (79kg)	742 x 405mm (29.21" x 15.95")	2.62"-5.40" (67-137mm)	+15°/-5°	ACC415	Double	89	
		39"-80"	ST660(F)		200lb (91kg)	824 x 405mm (32.44" x 15.95")	2.62"-5.40" (67-137mm)	+15°/-5°	ACC415	Double	89	
		46"-90"	ST670(F)		250lb (113kg)	895 x 450mm (35.25" x 17.72")	3.00"-6.63" (76-168mm)	+15°/-5°	ACC615	Double / Triple	90	
		60"-98"	ST680(P)		350lb (158kg)	1061 x 650mm (41.76" x 25.59")	3.38"-10.58" (86-269mm)	+15°/-5°	ACC615	Triple	91	
		46"-90"	STP680		350lb (158kg)	455 x 650mm (17.91" x 25.59")	3.38"-10.58" (86-269mm)	+15°/-5°	ACC615	Triple	92	
		PARAMOUNT	10"-29"	PT630		50lb (23kg)	VESA® 75 and 100mm	2.01"-2.98" (51-76mm)	+15°/-5°	ACC215	Single	114
			22"-43"	PT632		80lb (36kg)	VESA® 100, 200 x 100, and 200 x 200mm	2.01"-3.78" (51-96mm)	+15°/-5°	ACC215	Single	115
32"-46"	PT640			100lb (45kg)	450 x 305mm (17.72" x 12.01")	2.63"-4.74" (67-120mm)	+15°/-5°	ACC415	Double	116		
39"-75"	PT650			150lb (68kg)	750 x 405mm (29.52" x 15.95")	2.63"-5.50" (67-139mm)	+15°/-5°	ACC415	Double	117		
39"-90"	PT660			200lb (91kg)	832 x 405mm (32.75" x 15.95")	2.63"-5.50" (67-139mm)	+15°/-5°	ACC415	Double	117		
PARAMOUNT	SMARTMOUNT	10"-29"	SP730P		25lb (11kg)	VESA® 75 x 75, 100 x 100mm	2.77"-9.88" (70-251mm)	±35°	WSP700/701	Single	94	
		22"-43"	SP740P		80lb (36kg)	VESA® 100 x 100, 100 x 200 and 200 x 200mm	3.03"-12.41" (77-315mm)	+15°/-5°	WSP700/701	Single	95	
		32"-50"	SP746PU		80lb (36kg)	400 x 400mm (15.75" x 15.75")	3.46"-12.84" (88-326mm)	+15°/-5°	WSP700/701	Single	96	
		10"-29"	PP730		25lb (11kg)	VESA® 75 and 100mm	2.75"-7.40" (70-188mm)	±15°	WSP700/701	Single	118	
		22"-43"	PP740		80lb (36kg)	VESA® 100, 200 x 100 and 200 x 200mm	2.78"-7.43" (70-189mm)	+15°/-5°	WSP700/701	Single	119	
SMARTMOUNT	32"-65"	HPF650		60lb (27kg)	400 x 400mm (15.75" x 15.75")	2.32"-11.29" (59-287mm)	N/A	N/A	Double	97		
	32"-65"	SP840		60lb (27kg)	400 x 400mm (15.75" x 15.95")	2.64"-11.55" (67-293mm)	0°, 3.3°, 6.6° or 10°	N/A	Double	99		
	49"-65"	SP850-UNM		150lb (68kg)	400 x 400mm (15.75" x 15.75")	2.73"-11.14" (69-282mm)	0°, 5°, 10°	N/A	Double	101		
	32"-80"	SP850-UNL(P)		150lb (68kg)	600 x 400mm (23.62" x 15.75")	2.73"-11.18" (69-284mm)	0°, 5°, 10°	N/A	Double	101		





















To verify mount compatibility with any display or projector model use MountFinder™ at [peerless-av.com](http://peerless-av.com).

630-375-5100 | 800-865-2112 | [info@peerless-av.com](mailto:info@peerless-av.com) | [peerless-av.com](http://peerless-av.com)



# Universal Mounts

## DISPLAY MOUNTS

Product Type	Display Size Range	Model(s)	Picture	Max Load	Mounting Pattern (W x H)	Distance From the Wall	Tilt Range	Metal Stud Accessory	Single/Double Stud Mounting	Catalog Page	
SMARTMOUNT	10"-29"	SA730P		25lb (11kg)	VESA® 75 x 75, 100 x 100mm	2.77"-16.99" (70-432mm)	±35°	WSP700/701	Single	102	
	22"-43"	SA740P		80lb (36kg)	VESA® 100 x 100, 200 x 100 and 200 x 200mm	3.03"-21.80" (77-554mm)	+15°/-5°	WSP700/701	Single	103	
	32"-50"	SA746PU		80lb (36kg)	400 x 400mm (15.75" x 15.75")	3.46"-22.22" (88-564mm)	+15°/-5°	WSP700/701	Single	104	
	37"-55"	SA752PU		90lb (42kg)	600 x 400mm (23.62" x 15.75")	2.97"-26.47" (75-672mm)	+15°/-5°	WSP756	Single	106	
	39"-75"	SA761PU		125lb (57kg)	600 x 400mm (23.62" x 15.75")	3.10"-26.60" (79-676mm)	+15°/-5°	WSP756	Double	107	
	46"-90"	SA771PU		150lb (68kg)	800 x 400mm (31.50" x 15.75")	3.10"-26.60" (79-676mm)	+15°/-5°	WSP756	Double	108	
	43"-55"	HA746-STB		80lb (36kg)	400 x 400mm (15.75" x 16.22")	3.97"-22.22" (100-564mm)	+15°/-5°	N/A	Single/Double	105	
	55"-75"	HPF665		60lb (27kg)	400 x 412mm (15.75" x 15.75")	4.40" (112mm)	N/A	N/A	Double	109	
	PARAMOUNT	10"-29"	PA730		25lb (11kg)	VESA® 75 and 100mm	2.73"-14.85" (69-377mm)	±15°	WSP700/701	Single	120
		22"-43"	PA740		80lb (36kg)	VESA® 100, 200 x 100 and 200 x 200mm	2.80"-14.91" (71-379mm)	+15°/-5°	WSP700/701	Single	121
32"-50"		PA746		80lb (36kg)	VESA® 100, 200 x 100, 200 x 200, 300 x 200, 300 x 300, 400 x 200, 400 x 300 and 400 x 400mm	2.81"-15.08" (71-383mm)	+15°/-5°	WSP700/701	Single	122	
39"-75"		PA750		100lb (45kg)	600 x 400mm (23.62" x 15.75")	3.00"-21.35" (76-542mm)	+15°/-5°	N/A	Double	123	
39"-90"		PA762		150lb (68kg)	600 x 400mm (23.62" x 15.75")	3.00"-21.23" (76-539mm)	+15°/-5°	N/A	Double	124	
32"-43"		SUA740 for Ultra-thin displays only*		60lb (27kg)	VESA® 200 x 100 and 200 x 200mm	1.74"-24.74" (44-628mm)	+15°/-5°	WSP756	Single	127	
32"-50"		SUA747PU for Ultra-thin displays only*		60lb (27kg)	400 x 400mm (15.75" x 15.75")	1.85"-24.85" (47-631mm)	+15°/-5°	WSP756	Single	128	
37"-65"		SUA761PU for Ultra-thin displays only*		100lb (45kg)	600 x 400mm (23.62" x 15.75")	1.85"-24.85" (47-631mm)	+15°/-5°	WSP756	Double	129	
42"-90"		SUA771PU for Ultra-thin displays only*		125lb (57kg)	400 x 400mm (15.75" x 15.75")	1.85"-24.85" (47-631mm)	+15°/-5°	WSP756	Double	130	
55"-77"		OSUA771PU OLED/QLED for Ultra-thin displays only*		125lb (57kg)	800 x 400mm (31.50" x 15.75")	2.87"-25.87" (73-657mm)	+10°/-3°	WSP756	Double	131	
Designer Series	37"-65"	IM747PU for Ultra-thin displays only*		80lb (36kg)	400 x 400mm (15.75" x 15.75")	1.94"-25.03" (49-636mm)	+15°/-5°	N/A	Single/Double	132	
	42"-90"	IM771PU for Ultra-thin displays only*		125lb (56.7kg)	800 x 400mm (31.50" x 15.75")	1.98"-24.98" (50-634mm)	+15°/-5°	N/A	Single/Double	133	

\* Designed for use with displays that are less than 3" (75mm) deep

To verify mount compatibility with any display or projector model use MountFinder™ at [peerless-av.com](http://peerless-av.com).

630-375-5100 | 800-865-2112 | [info@peerless-av.com](mailto:info@peerless-av.com) | [peerless-av.com](http://peerless-av.com)

Product Type	Display Size Range	Model(s)	Picture	Max Load	Mounting Pattern (W x H)	Distance From the Wall or Ceiling	Tilt Range	Metal Stud Accessory	Single/Double Stud Mounting	Catalog Page	
Media Storage, Multi-Display & Ceiling Mounts <b>SMARTMOUNT</b>	26"-60"	DST360		150lb (68kg)	VESA® 100 x 100 up to 300 x 300mm	4.28" (109mm) from wall	+20°/-0°	N/A	Single/Double	137	
	40"-70"	DST970X2		250lb (113kg)	600 x 400mm (23.62" x 15.75")	Varies depending on extension column used	0°-20°	N/A	N/A	142	
	37"-80"	DST980-3		495lb (225kg)	730 x 405mm (28.75" x 15.95")	Varies depending on extension column used	0°-20°	N/A	N/A	143	
	37"-75"	DST975-4		500lb (227kg)	730 x 405mm (28.75" x 15.95")	Varies depending on extension column used	0°-20°	N/A	N/A	144	
	37"-42"	DST942-6		480lb (218kg)	730 x 405mm (28.75" x 15.95")	Varies depending on extension column used	0°-20°	N/A	N/A	145	
	40"-60"	DST660		125lb (57kg)	VESA® 200 x 100 up to 400 x 400mm	2.83" (72mm) from wall	+10°/-0°	N/A	Double	136	
	40"-95"	DST995		225lb (102kg)	VESA® 200 x 200, 300 x 300, 400 x 200, 400 x 300, and 400 x 400mm	Varies depending on extension column used	0°-15°	N/A	N/A	139	
	40"-65"	DST965		300lb (136kg)	730 x 405mm (28.75" x 15.95")	Varies depending on extension column used	20° fixed	N/A	N/A	141	
	32"-90"	PLCM-UNL		150lb (68kg)	600 x 400mm (23.62" x 15.75")	43.23" (1098mm) from ceiling	+20°/-5°	N/A	N/A	148	
	32"-90"	PLCM-UNL-CP		150lb (68kg)	600 x 400mm (23.62" x 15.75")	44.23" (1123mm) from ceiling	+20°/-5°	N/A	N/A	148	
	32"-90"	PLCM-2-UNL		150lb (68kg)	600 x 400mm (23.62" x 15.75")	Varies depending on extension column used	+20°/-5°	N/A	N/A	148	
	Up to 90"	PLCK-UNL		150lb (68kg)	600 x 400mm (23.62" x 15.75")	25.82" (656mm) from ceiling	+20°/-5°	N/A	N/A	150	
	Floor to Ceiling Cable	46"-65"	DSF265L		65lb (29.5kg)	VESA® 600, 400, 300 and 200mm	N/A	N/A	N/A	N/A	153
		46"-65"	DSF265P	 DSF265P shown	65lb (29.5kg)	VESA® 600, 400, 300 and 200mm	N/A	N/A	N/A	N/A	153
	Modular Mounts	Up to 75"	MOD-FPSKIT100(B)		132lb (60kg)	600 x 400mm (23.62" x 15.75")	38.47" (977mm) from ceiling	+20°/-5°	N/A	N/A	154
Up to 75"		MOD-FPSKIT150(B)		132lb (60kg)	600 x 400mm (23.62" x 15.75")	57.76" (1467mm) from ceiling	+20°/-5°	N/A	N/A	154	
Up to 75"		MOD-FCSKIT300(B)		132lb (60kg)	600 x 400mm (23.62" x 15.75")	120.11" (3051mm) floor-to-ceiling	+5°/-5°	N/A	N/A	154	
46"-90"		MOD-FPS2KIT150(B)		211lb (96kg)	600 x 400mm (23.62" x 15.75")	59" (1.5m) from ceiling	+20°/-5°	N/A	N/A	156	
46"-90"		MOD-FCS2KIT300(B)		422lb (192kg)	600 x 400mm (23.62" x 15.75")	118" (3m) floor-to-ceiling	+20°/-5°	N/A	N/A	156	
46"-90"		MOD-FW2KIT300(B)		422lb (192kg)	600 x 400mm (23.62" x 15.75")	118" (3m) floor-to-wall	+20°/-5°	N/A	N/A	156	
46"-90"		MOD-FPP2KIT200(B)		422lb (192kg)	600 x 400mm (23.62" x 15.75")	78" (2m) from floor	+20°/-5°	N/A	N/A	156	
Round Column	Dependent on Mount Used	CMAL		225lb (102kg)	Dependent on Mount Used	N/A	N/A	N/A	N/A	151	
Truss Mount	40"-90"	DSF290		175lb (79kg)	VESA® 100, 200, 300 and 400mm	N/A	N/A	N/A	N/A	158	
I-Beam Mount	Dependent on Mount Used	IMAM* IMAL**		225lb (102kg)	Dependent on Mount Used	N/A	N/A	N/A	N/A	159	

\* IMAM for up to 12" Wide Beams \*\*IMAL For 12" to 24.5" Wide Beams

To verify mount compatibility with any display or projector model use MountFinder™ at [peerless-av.com](http://peerless-av.com).

630-375-5100 | 800-865-2112 | [info@peerless-av.com](mailto:info@peerless-av.com) | [peerless-av.com](http://peerless-av.com)



Product Type	Display Size Range	Model(s)	Picture	Max Load	Mounting Pattern (W x H)	Distance From the Wall, Base or Floor	Tilt Range	Metal Stud Accessory	Single/ Double Stud Mounting	Catalog Page	
<b>Carts</b>	<b>SMARTMOUNT</b>	42"-86"	SR598ML3		280lb (127kg) display	VESA® 200 x 200 up to 800 x 600mm	47.33"-72.87" (1202-1851mm) from floor	-5°, +1°	N/A	N/A	162
		42"-86"	SR598ML3E		280lb (127kg) display	VESA® 200 x 200 up to 800 x 600mm	46.88"-72.47" (1191-1841mm) from floor	N/A	N/A	N/A	163
		42"-86"	SR598ML3T		220lb (99.8kg) display	VESA® 200 x 200 up to 800 x 600mm	31.11"-68.97" (790-1752mm) from floor	-90° - 0°	N/A	N/A	164
		55" or 65" Samsung Flip 2	SR560-FLIP2		90lb (41kg) display	400 x 400mm (15.75" x 15.75")	64.23" (1632mm) from floor	0°, -4.5°	N/A	N/A	165
		32"-75"	SR560M		150lb (68.2kg) display	VESA® 200 x 200 up to 600 x 400mm	68.38" (1736mm) from floor	-5°, 0°	N/A	N/A	166
		32"-75"	SR575M		150lb (68.2kg) display	VESA® 200 x 200 up to 600 x 400mm	68.38" (1736mm) from floor	-5°, 0°	N/A	N/A	167
		32"-75"	SR575K		150lb (68.2kg) display	VESA® 200 x 200 up to 600 x 400mm	46.12" (1172mm) from floor	0°, +90°	N/A	N/A	168
		55"-98"	SR598		300lb (136.1kg) display	VESA® 200 x 200 up to 900 x 600mm	68.38" (1736mm) from floor	-5°, 0°	N/A	N/A	169
		55"/84" Microsoft® Surface™ Hub	SR598-HUB		300lb (136.1kg) display	VESA® 200 x 200 up to 1256 x 608mm	72.44" (1840mm) from floor	-5°, 0°	N/A	N/A	169
		85" Microsoft® Surface™ Hub 2S	SR598-HUB2		300lb (136.1kg) display	VESA® 200 x 200 up to 900 x 600mm	68.38" (1736mm) from floor	-5°, 0°	N/A	N/A	169
		50" Microsoft® Surface™ Hub 2S	SR560-HUB2		65lb (29.5kg) display	VESA® 350 x 350mm	48.65"-60.00" (1236-1524mm) from floor	-4.5°, 0°	N/A	N/A	170
		40"-65"	SR555M		75lb (43.1kg) display	VESA® 200 x 200 up to 400 x 400mm	75.41" (1915mm) from floor	-5°, 0°	N/A	N/A	171
		40"-55"	SR555E		75lb (43.1kg) display	VESA® 200 x 200 up to 400 x 400mm	78.10" (1983mm) from floor	N/A	N/A	N/A	172
		32"-75"	SR575E		150lb (68.2kg) display	VESA® 200 x 200 up to 600 x 400mm	78.10" (1983mm) from floor	N/A	N/A	N/A	172
		55"-80"	VCM580		335lb (152kg)	VESA® up to 600 x 400mm	18.39"-15.39" (67-391mm) from wall	N/A	N/A	N/A	173
		<b>Stands</b>	<b>SMARTMOUNT</b>	42"-86"	SS598ML3		280lb (127kg)	VESA® 200 x 200 up to 800 x 600mm	47.76"-72.42" (1213-1840mm) from wall	N/A	N/A
32"-75"	SS560F				150lb (68.2kg) display	VESA® 200 x 200 up to 600 x 400mm	65.83" (1672mm) from floor	-5°, 0°	N/A	N/A	175
32"-75"	SS575K				150lb (68.2kg) display	VESA® 200 x 200 up to 600 x 400mm	46.12" (1172mm) from floor	0°, +90°	N/A	N/A	176
up to 75"	FPZ-600				200lb (90.7kg) per display	VESA® 100, 200 x 100 and 200 x 200mm	72.33" (1837mm) from floor	N/A	N/A	N/A	177
up to 90"	FPZ-670				200lb (90.7kg) per display	VESA® 200 x 200mm	72.33" (1837mm) from floor	N/A	N/A	N/A	178
32"-60"	PTS4X4				60lb (27.2kg)	VESA® 200 x 100, 400 x 400mm	20.16"-25.67" (512-652) from desk	+10°/-5°	N/A	N/A	180
<b>Desktop &amp; Tablet Mounts</b>	55"-85"	PTS6X4		115lb (52.2kg)	VESA® 600 x 200mm	23.97"-28.70" (609-729mm) from desk	+3°/-0°	N/A	N/A	181	
	26"-37"	HP432-002		80lb (36.4kg)	VESA® 100 x 100, 200 x 100 and 200 x 200mm	see drawings	N/A	N/A	N/A	182	
	32"-47"	HP447		75lb (34.1kg)	VESA® 200 x 100, 200 x 200mm	see drawings	N/A	N/A	N/A	183	
	49"-55"	HP455		75lb (34.1kg)	VESA® 200 x 200, 200 x 400, 300 x 300 and 400 x 400mm	see drawings	N/A	N/A	N/A	184	
	for Tablets less than 0.75" (19mm) deep	PTM200		5lb (2.3kg)	VESA® 75 x 75mm	N/A	N/A	N/A	N/A	185	
	for Tablets less than 0.75" (19mm) deep	PTM400		5lb (2.3kg)	N/A	N/A	±30°	N/A	N/A	185	
	up to 38" monitors	LCT100S		20lb (9kg)	VESA® 75 and 100mm	see drawings	±40°	N/A	N/A	187	
	up to 38" monitors	LCT620A(-G)		8.4lb-17.8lb (3.8kg-8.1kg) per arm	VESA® 75 and 100mm	see drawings	+45°/-90°	N/A	N/A	188	
	up to 38" monitors	LCT620AD(-G)		8.4lb-17.8lb (3.8kg-8.1kg) per arm	VESA® 75 and 100mm	see drawings	+45°/-90°	N/A	N/A	189	
	24" to 49" Ultra-Wide Curved Monitors	LCT650SD		60lb (27.2kg)	VESA® 75 x 75mm & 100 x 100mm	see drawings	N/A	N/A	N/A	190	
up to 38" monitors	LCW620A		8.4lb-17.8lb (3.8kg-8.1kg) per arm	VESA® 75 and 100mm	see drawings	+45°/-90°	N/A	Single	192		

To verify mount compatibility with any display or projector model use [MountFinder™](#) at [peerless-av.com](#).



DISPLAY MOUNTS



MODELS

Universal Models:

Includes theft resistant hardware for attaching display to mount

**SF630** Semi-gloss black

Includes standard hardware (hex or Phillips) for attaching display to mount

**SF630P** Semi-gloss black

DISPLAY ADAPTOR



VESA® Pattern

Universal Models: 75 and 100mm

SPECIFICATIONS



Distance from Wall

0.96" (24mm)



Max Load

80lb (36kg)

Product Dimensions (W x H x D)

6.02" x 5.75" x 0.96"  
(153 x 146 x 24mm)

Mounting Surfaces

Wood stud, concrete, cinder/  
breeze block and metal stud  
(Metal stud accessory required)

Ship Weight

2.2lb (1.0kg)



Color Packaging

CERTIFICATIONS



ACCESSORIES



**ACC215:**

2-pack Metal Stud  
Fastener Kit ..... pg# 234



**ACC2X1:**

VESA® 200 x 100mm  
Adaptor Plate ..... pg# 226



**ESHV models:**

AV Wall Shelves ..... pg# 211



**IBA4-W:**

Easy Mount Recessed  
Low Voltage Cable Plate ..... pg# 227

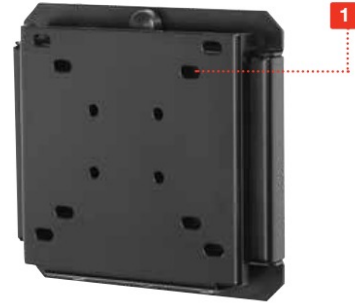


**IBA5-W:**

Recessed Low Voltage  
Media Plate with Duplex  
Surge Suppressor ..... pg# 227

SMARTMOUNT Flat Wall Mount  
For 10" to 29" Displays\*

1. VESA® 75 and 100mm compliant
2. Low-profile design holds display 0.96" (24mm) away from the wall
3. Display adaptor plate simply hooks onto wall plate for quick and easy installation

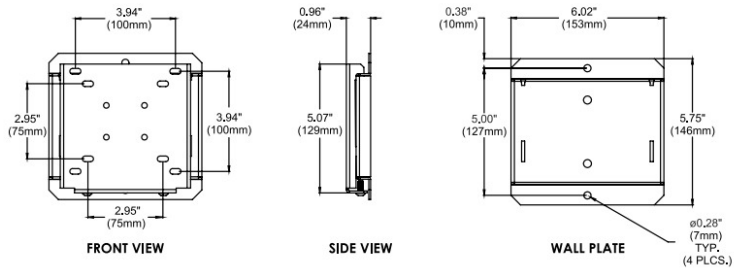


\*This display size range is simply a guideline for product selection. Displays larger than the screen size range may still be compatible as long as they fall within the VESA® pattern and max weight of the Peerless-AV® product.

Please visit [peerless-av.com/en-us/patents](http://peerless-av.com/en-us/patents) for patent information.

TECHNICAL DRAWINGS

For expanded product information and technical data visit [peerless-av.com](http://peerless-av.com)



To verify mount compatibility with any display or projector model use MountFinder™ at [peerless-av.com](http://peerless-av.com).



630-375-5100 | 800-865-2112



info@peerless-av.com

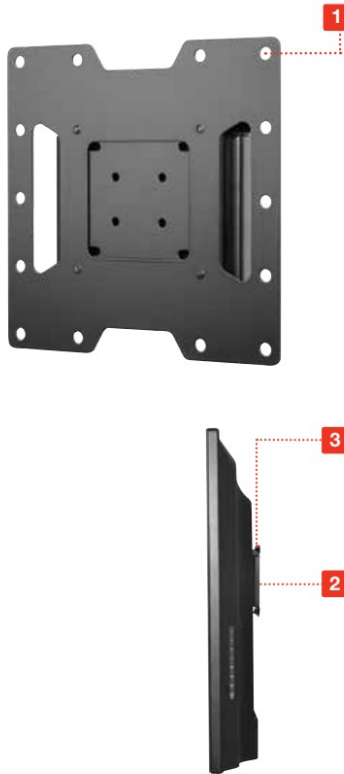


peerless-av.com

# SMARTMOUNT Flat Wall Mount

For 22" to 43" Displays\*

1. VESA® 75, 100, 200 x 100 and 200 x 200mm compliant
2. Low-profile design holds display 1.02" (25mm) away from the wall
3. Display adaptor plate simply hooks onto wall plate for quick and easy installation
4. Compatible with displays that use M8 screws

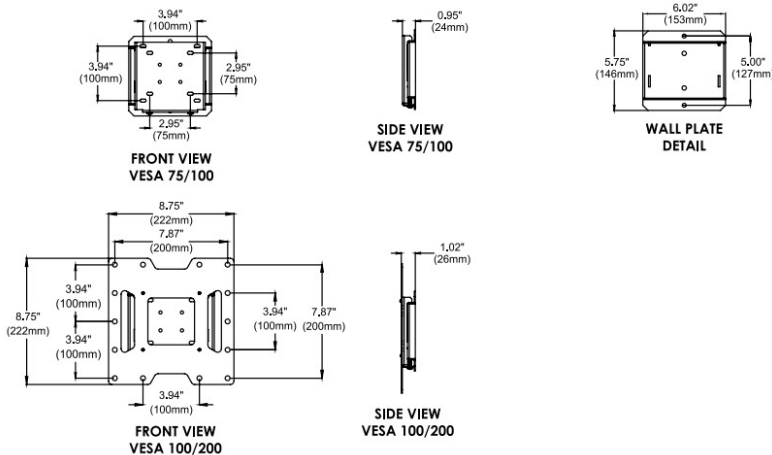


\*This display size range is simply a guideline for product selection. Displays larger than the screen size range may still be compatible as long as they fall within the VESA® pattern and max weight of the Peerless-AV® product.

Please visit [peerless-av.com/en-us/patents](http://peerless-av.com/en-us/patents) for patent information.

For expanded product information and technical data visit [peerless-av.com](http://peerless-av.com)

## TECHNICAL DRAWINGS



To verify mount compatibility with any display or projector model use MountFinder™ at [peerless-av.com](http://peerless-av.com).

630-375-5100 | 800-865-2112 | [info@peerless-av.com](mailto:info@peerless-av.com) | [peerless-av.com](http://peerless-av.com)

## DISPLAY MOUNTS



SMARTMOUNT WALL MOUNTS

### MODELS

#### Universal Models:

Includes theft resistant hardware for attaching display to mount

**SF632** Semi-gloss black

Includes standard hardware (hex or Phillips) for attaching display to mount

**SF632P** Semi-gloss black

### DISPLAY ADAPTOR



#### VESA® Pattern

Universal Models: 75, 100, 200 x 100 and 200 x 200mm

### SPECIFICATIONS



#### Distance from Wall

1.02" (26mm)



#### Max Load

115lb (52kg)

#### Product Dimensions (W x H x D)

8.75" x 8.75" x 1.02"  
(222 x 222 x 26mm)

#### Mounting Surfaces

Wood stud, concrete, cinder/breeze block and metal stud (Metal stud accessory required)

#### Ship Weight

3.8lb (1.7kg)



Color Packaging

### CERTIFICATIONS



### ACCESSORIES



**ACC215:**  
2-pack Metal Stud Fastener Kit ..... pg# 234



**ACC4X4:**  
VESA® 400 x 400mm Adaptor Plate..... pg# 226



**ACC-UCM:**  
Universal AV Component Mount..... pg# 218



**ESHV models:**  
AV Wall Shelves ..... pg# 211



**IBA4-W:**  
Easy Mount Recessed Low Voltage Cable Plate ..... pg# 227



**IBA5-W:**  
Recessed Low Voltage Media Plate with Duplex Surge Suppressor ..... pg# 227

DISPLAY MOUNTS



MODELS

Universal Models:

Includes theft resistant hardware for attaching display to mount

**SF640** Semi-gloss black

Includes standard hardware (hex or Phillips) for attaching display to mount

**SF640P** Semi-gloss black

DISPLAY ADAPTOR



Mounting Pattern

Universal Models: 450 x 405mm  
(17.72"W x 15.95"H)

Many 42" flat panel displays have mounting hole patterns larger than dimensions above. Use MountFinder™ to verify mount compatibility.



VESA® Pattern

Universal Models: Up to 400 x 400mm

SPECIFICATIONS



Distance from Wall

1.20" (30mm)



Max Load

150lb (68kg)

Product Dimensions (W x H x D)

19.37" x 16.89" x 1.20"  
(492 x 429 x 30mm)

Mounting Surfaces

Wood stud, concrete, cinder/breeze block and metal stud (Metal stud accessory required)

Ship Weight

5.40lb (2.45kg)



Color Packaging

CERTIFICATIONS



ACCESSORIES



**ACC415:**  
4-pack Metal Stud  
Fastener Kit ..... pg# 234



**ACC309:**  
Video Conference Shelf ..... pg# 215



**ACC-UCM:**  
Universal AV  
Component Mount..... pg# 218



**ACC-WMVCs:**  
Video Conferencing Shelf ..... pg# 217



**ESHV models:**  
AV Wall Shelves ..... pg# 211

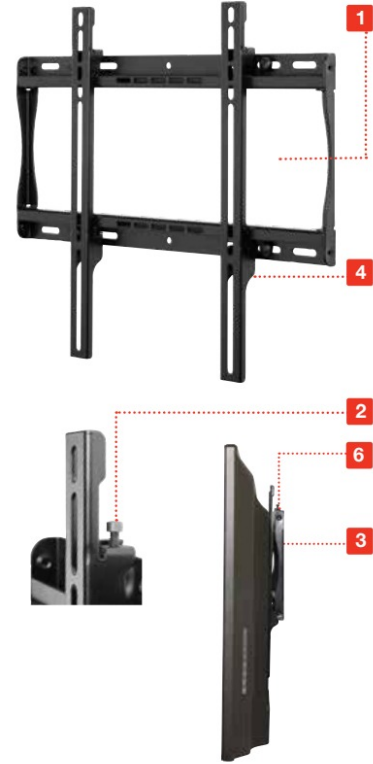


**IBA4-W:**  
Easy Mount Recessed  
Low Voltage Cable Plate ..... pg# 227

# SMARTMOUNT Universal Flat Wall Mount

For 32" to 50" Displays\*

1. Open wall plate design allows for total wall access, increasing electrical and cable management options
2. Up to 0.25" (6mm) of vertical adjustment on each universal display adaptor bracket for post-installation leveling and height adjustment fine-tuning
3. Low-profile design holds display only 1.20" (30mm) from the wall
4. Easy-Glide™ design ensures display is securely attached to wall plate
5. Horizontal display adjustment up to 6.00" (152mm) for centering display on wall
6. Universal display adaptors easily hook onto wall plate for fast installation
7. Fits displays with mounting hole patterns up to 450 x 405mm (17.72"W x 15.95"H)
8. Landscape to portrait mounting options increase installation versatility. Please check your display dimensions against the wall plate when used in portrait mode\*\*



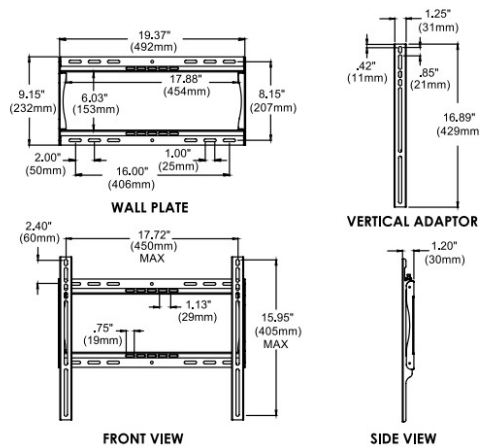
\*This display size range is simply a guideline for product selection. Displays larger than the screen size range may still be compatible as long as they fall within the VESA® pattern and max weight of the Peerless-AV® product.

\*\* Requires display to be removed and reset on mount

Please visit [peerless-av.com/en-us/patents](http://peerless-av.com/en-us/patents) for patent information.

TECHNICAL DRAWINGS

For expanded product information and technical data visit [peerless-av.com](http://peerless-av.com)



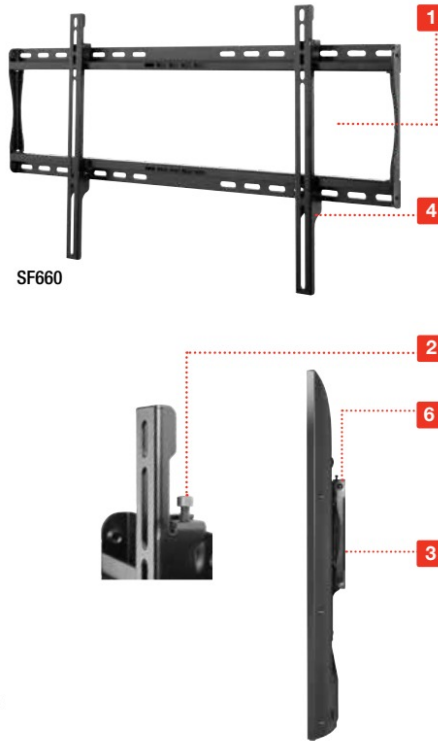
To verify mount compatibility with any display or projector model use MountFinder™ at [peerless-av.com](http://peerless-av.com).



# SMARTMOUNT Universal Flat Wall Mount

For 39" to 80" Displays\*

1. Open wall plate design allows for total wall access, increasing electrical and cable management options
2. Up to 0.25" (6mm) of vertical adjustment on each universal display adaptor bracket for post-installation leveling and height adjustment fine-tuning
3. Low-profile design holds display only 1.20" (30mm)
4. Easy-Glide™ design ensures display is securely attached to wall plate
5. Horizontal display adjustment up to 8.00" (203mm) for centering display on wall
6. Universal display adaptors easily hook onto wall plate for fast installation
7. Landscape to portrait mounting options increase installation versatility. Please check your display dimensions against the wall plate when used in portrait mode\*\*



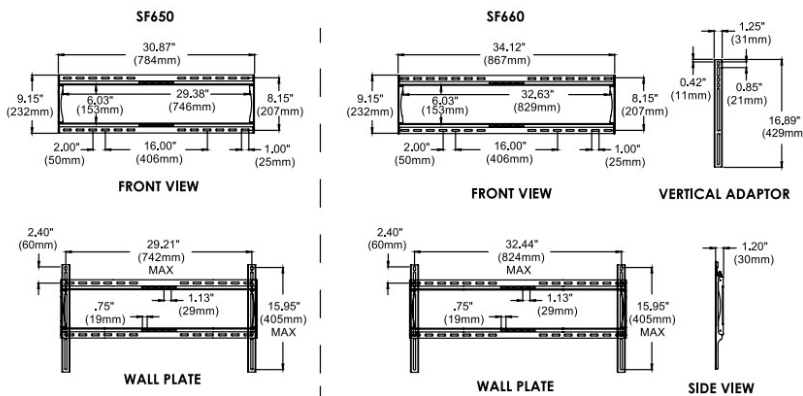
\*This display size range is simply a guideline for product selection. Displays larger than the screen size range may still be compatible as long as they fall within the VESA® pattern and max weight of the Peerless-AV® product.

\*\* Requires display to be removed and reset on mount

Please visit [peerless-av.com/en-us/patents](http://peerless-av.com/en-us/patents) for patent information.

For expanded product information and technical data visit [peerless-av.com](http://peerless-av.com)

## TECHNICAL DRAWINGS



To verify mount compatibility with any display or projector model use MountFinder™ at [peerless-av.com](http://peerless-av.com).

630-375-5100 | 800-865-2112 | [info@peerless-av.com](mailto:info@peerless-av.com) | [peerless-av.com](http://peerless-av.com)

## DISPLAY MOUNTS



SMARTMOUNT WALL MOUNTS

### MODELS

#### Universal Models:

Includes theft resistant hardware for attaching display to mount

<b>SF650</b>	39" to 75" Displays	Semi-gloss black
<b>SF660</b>	39" to 80" Displays	Semi-gloss black

Includes standard hardware (hex or Phillips) for attaching display to mount

<b>SF650P</b>	39" to 75" Displays	Semi-gloss black
<b>SF660P</b>	39" to 80" Displays	Semi-gloss black

### DISPLAY ADAPTOR



#### Mounting Pattern

##### Universal Models:

<b>SF650(P):</b>	742 x 405mm (29.21" x 15.95")
<b>SF660(P):</b>	824 x 405mm (32.44" x 15.95")



#### VESA® Pattern

##### Universal Models:

<b>SF650(P):</b>	Up to 600 x 400mm
<b>SF660(P):</b>	Up to 800 x 400mm

### SPECIFICATIONS



#### Distance from Wall

1.20" (30mm)



#### Max Load

<b>SF650(P):</b>	175lb (79kg)
<b>SF660(P):</b>	200lb (91kg)

#### Product Dimensions (W x H x D)

<b>SF650(P):</b>	30.87" x 16.89" x 1.20" (784 x 429 x 30mm)
<b>SF660(P):</b>	34.12" x 16.89" x 1.20" (867 x 429 x 30mm)

#### Mounting Surfaces

Wood stud, concrete, cinder/breeze block and metal stud (Metal stud accessory required)

#### Ship Weight



Color Packaging

<b>SF650(P):</b>	7.15lb (3.24kg)
<b>SF660(P):</b>	7.60lb (3.45kg)

### CERTIFICATIONS



### ACCESSORIES



**ACC415:**  
4-pack Metal Stud Fastener Kit ..... pg# 234



**ACC309:**  
Video Conference Shelf ..... pg# 215



**ACC-UCM:**  
Universal AV Component Mount..... pg# 218



**ACC-WMVC:**  
Video Conferencing Shelf ..... pg# 217



**ESHV models:**  
AV Wall Shelves ..... pg# 211



**IBA4-W:**  
Easy Mount Recessed Low Voltage Cable Plate ..... pg# 227

DISPLAY MOUNTS



MODELS

Universal Models:

Includes theft resistant hardware for attaching display to mount

**SF670** Semi-gloss black

Includes standard hardware (hex or Phillips) for attaching display to mount

**SF670P** Semi-gloss black

DISPLAY ADAPTOR

Mounting Pattern	(W x H)
Universal Models:	895 x 450mm (35.25" x 17.72")

SPECIFICATIONS

	<b>Distance from Wall</b>	1.73" (44mm)
	<b>Max Load</b>	250lb (113kg)
	<b>Product Dimensions (W x H x D)</b>	37.75" x 19.48" x 1.73" (959 x 495 x 44mm)
	<b>Mounting Surfaces</b>	Wood stud, concrete, cinder/breeze block and metal stud (Metal stud accessory required)
	<b>Ship Weight</b>	16.21lb (7.35kg)
	<b>Color Packaging</b>	

CERTIFICATIONS



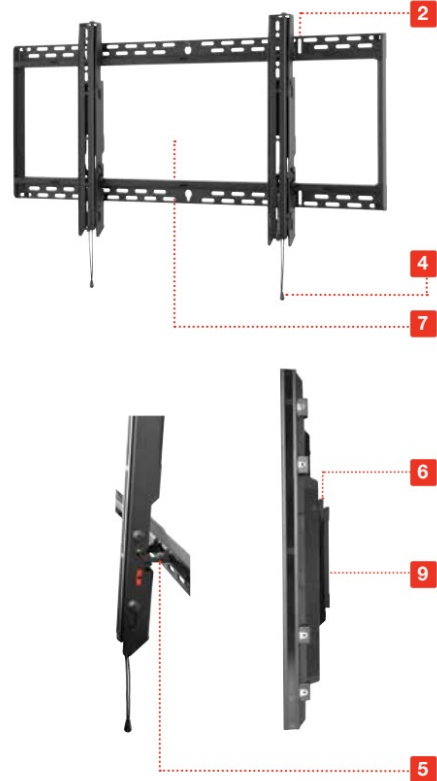
ACCESSORIES

	<b>ACC615:</b> 6-pack Metal Stud Fastener Kit ..... pg# 234
	<b>ACC309:</b> Video Conference Shelf ..... pg# 215
	<b>ACC-UCM:</b> Universal AV Component Mount..... pg# 218
	<b>ESHV models:</b> AV Wall Shelves ..... pg# 211
	<b>IBA4-W:</b> Easy Mount Recessed Low Voltage Cable Plate ..... pg# 227

SMARTMOUNT Universal Flat Wall Mount

For 46" to 90" Displays\*

1. Easy hang wall plate allows a bolt to be pre-installed to ease wall plate installation
2. Lateral display adjustment up to 11.25" (286mm)
3. Adaptor rail latching feature securely locks the display in place with an audible click
4. Draw strings can be used to easily remove the display or can be removed for a theft resistant installation
5. A built-in kick stand holds the display safely away from the wall for easy access
6. 1" of post-installation vertical adjustment provides flexibility in the installation
7. Large open wall plate provides extra stability and room for junction boxes
8. Includes fastener pack with all necessary mounting and display attachment hardware (including M10)
9. Low-profile design holds display only 1.73" (44mm) from the wall

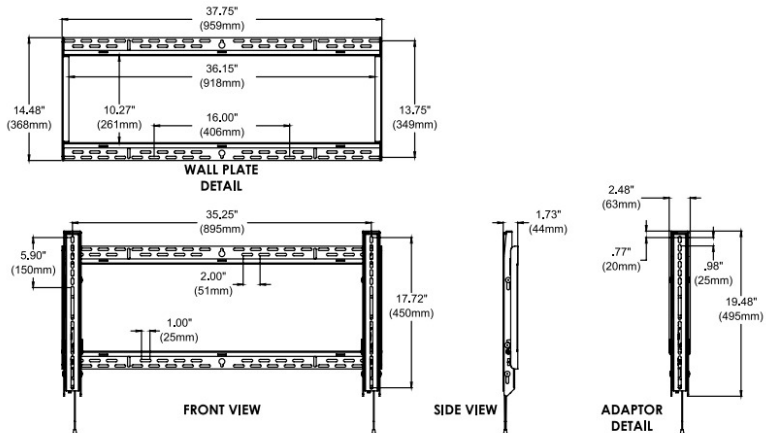


\*This display size range is simply a guideline for product selection. Displays larger than the screen size range may still be compatible as long as they fall within the VESA® pattern and max weight of the Peerless-AV® product.

Please visit [peerless-av.com/en-us/patents](http://peerless-av.com/en-us/patents) for patent information.

TECHNICAL DRAWINGS

For expanded product information and technical data visit [peerless-av.com](http://peerless-av.com)

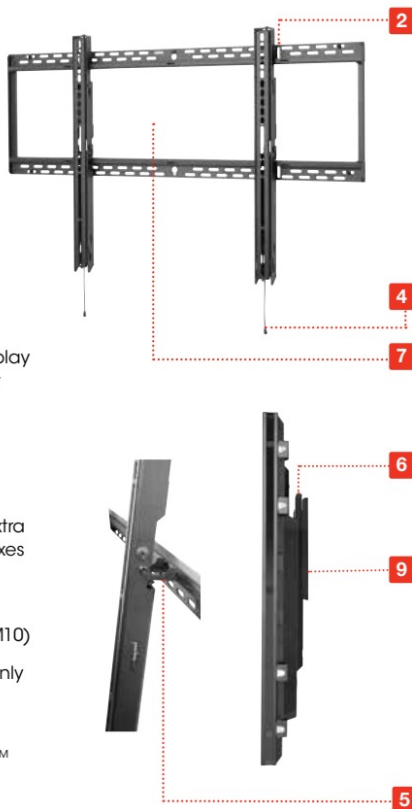


To verify mount compatibility with any display or projector model use MountFinder™ at [peerless-av.com](http://peerless-av.com).

# SMARTMOUNT Universal Flat Wall Mounts

For 60" to 98" Displays\* &  
85" Microsoft® Surface™ Hub 2S

1. Easy hang wall plate allows a bolt to be pre-installed to ease wall plate installation
2. Lateral display adjustment up to 19.25" (489mm)
3. Adaptor rail latching feature securely locks the display in place with an audible click
4. Draw strings can be used to easily remove the display or can be removed for a theft resistant installation
5. A built-in kick stand holds the display safely away from the wall for easy access
6. 1" of post-installation vertical adjustment provides flexibility in the installation
7. Large open wall plate provides extra stability and room for junction boxes
8. Includes fastener pack with all necessary mounting and display attachment hardware (including M10)
9. Low-profile design holds display only 1.73" (44mm) from the wall
10. SF680P-HUB2 Includes spacer and hardware for 85" Microsoft® Surface™ Hub 2S

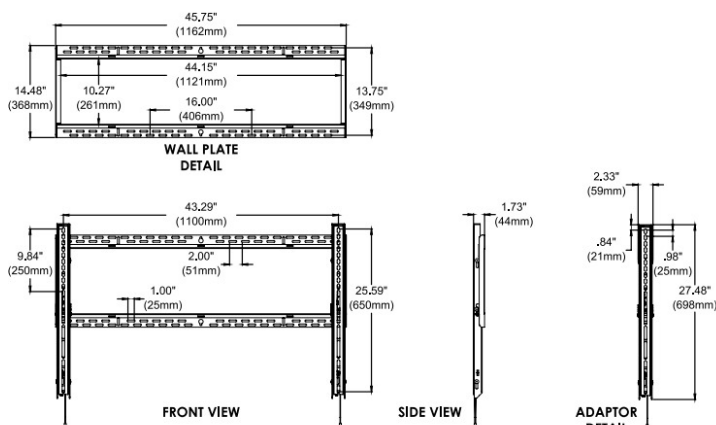


\*This display size range is simply a guideline for product selection. Displays larger than the screen size range may still be compatible as long as they fall within the VESA® pattern and max weight of the Peerless-AV® product.

Please visit [peerless-av.com/en-us/patents](http://peerless-av.com/en-us/patents) for patent information.

For expanded product information and technical data visit [peerless-av.com](http://peerless-av.com)

## TECHNICAL DRAWINGS



To verify mount compatibility with any display or projector model use MountFinder™ at [peerless-av.com](http://peerless-av.com).

630-375-5100 | 800-865-2112 | [info@peerless-av.com](mailto:info@peerless-av.com) | [peerless-av.com](http://peerless-av.com)

## DISPLAY MOUNTS



SMARTMOUNT WALL MOUNTS

## MODELS

### Universal Models:

Includes theft resistant hardware for attaching display to mount

**SF680** Semi-gloss black

Includes standard hardware (hex or Phillips) for attaching display to mount


**SF680P** Semi-gloss black

**SF680P-HUB2** Semi-gloss black

## DISPLAY ADAPTOR

Mounting Pattern	(W x H)
Universal Models:	1100 x 650mm (43.29" x 25.59")

## SPECIFICATIONS

Distance from Wall	1.73" (44mm)
Max Load	350lb (158kg)
Product Dimensions (W x H x D)	45.75" x 27.48" x 1.73" (1162 x 698 x 44mm)
Mounting Surfaces	Wood stud, concrete, cinder/breeze block and metal stud (Metal stud accessory required)
Ship Weight	20.30lb (9.21kg)
Color Packaging	

## CERTIFICATIONS

RoHS COMPLIANT TAA COMPLIANT SF680(P): eULos osDpd

SF680P-HUB2:



## ACCESSORIES

- ACC615:** 6-pack Metal Stud Fastener Kit ..... pg# 234
- ACC309:** Video Conference Shelf ..... pg# 215
- ACC-UCM:** Universal AV Component Mount..... pg# 218
- ESHV models:** AV Wall Shelves ..... pg# 211
- IBA4-W:** Easy Mount Recessed Low Voltage Cable Plate ..... pg# 227



DISPLAY MOUNTS



MODELS

Universal Models:

Includes theft resistant hardware for attaching display to mount

**SFP680** Semi-gloss black

DISPLAY ADAPTOR



Mounting Pattern (W x H)

Universal Models: 494 x 650mm  
(19.45" x 25.59")

SPECIFICATIONS



Distance from Wall

1.70" (43mm)



Max Load

350lb (158kg)

Product Dimensions (W x H x D)

22.00" x 27.48" x 1.70"  
(559 x 698 x 43mm)

Mounting Surfaces

Wood stud, concrete, cinder/  
breeze block and metal stud  
(Metal stud accessory required)

Ship Weight

14.95lb (6.78kg)



Color Packaging

CERTIFICATIONS



ACCESSORIES



**ACC615:**  
6-pack Metal Stud  
Fastener Kit ..... pg# 234



**ACC309:**  
Video Conference Shelf ..... pg# 215



**ACC-UCM:**  
Universal AV  
Component Mount..... pg# 218



**ESHV models:**  
AV Wall Shelves ..... pg# 211



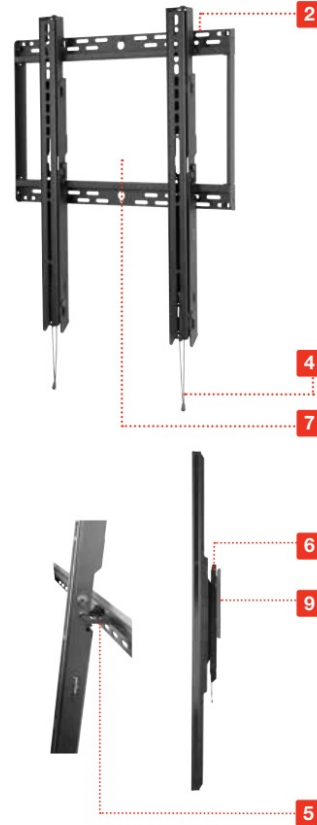
**IBA4-W:**  
Easy Mount Recessed  
Low Voltage Cable Plate ..... pg# 227

SMARTMOUNT

Universal Portrait  
Flat Wall Mount

For 46" to 90" Displays\*

1. Easy hang wall plate allows a bolt to be pre-installed to ease wall plate installation
2. Lateral display adjustment up to 3.38" (85.9mm)
3. Adaptor rail latching feature securely locks the display in place with an audible click
4. Draw strings can be used to easily remove the display or can be removed for a theft resistant installation
5. A built-in kick stand holds the display safely away from the wall for easy access
6. 1" of post-installation vertical adjustment provides flexibility in the installation
7. Large open wall plate provides extra stability and room for junction boxes
8. Includes fastener pack with all necessary mounting and display attachment hardware (including M10)
9. Low-profile design holds display only 1.70" (43mm) from the wall

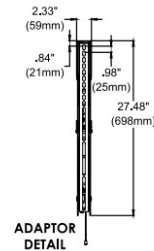
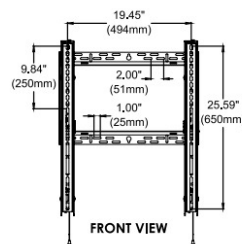
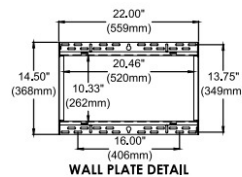


\*This display size range is simply a guideline for product selection. Displays larger than the screen size range may still be compatible as long as they fall within the VESA® pattern and max weight of the Peerless-AV® product.

Please visit [peerless-av.com/en-us/patents](http://peerless-av.com/en-us/patents) for patent information.

TECHNICAL DRAWINGS

For expanded product information and technical data visit [peerless-av.com](http://peerless-av.com)



To verify mount compatibility with any display or projector model use MountFinder™ at [peerless-av.com](http://peerless-av.com).



630-375-5100 | 800-865-2112



info@peerless-av.com



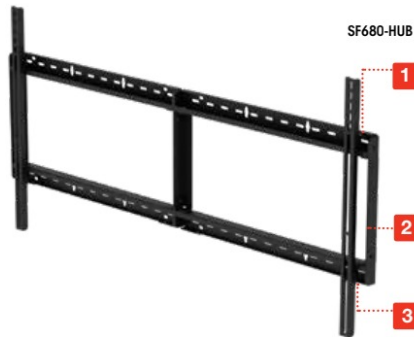
peerless-av.com

# SMARTMOUNT Universal Flat Wall Mount

For 55" to 98" Displays &  
50" Microsoft® Surface™ Hub 2S

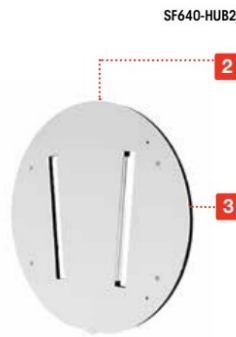
## SF680-HUB

1. Easy hang wall plate allows a bolt to be pre-installed to ease wall plate installation
2. Low-profile design holds display only 2.13" (54mm) from the wall
3. Universal display adaptors easily hook onto wall plate for fast installation
4. Accommodates the 55" and 84" Microsoft® Surface™ Hub 1
5. Use optional accessories for mounting the Cisco Spark Board



## SF640-HUB2

1. Product complies with the Microsoft® Site Readiness Guide and is certified through Microsoft®
2. Display adaptor simply slides into the wall plate for quick and easy, one person installation
3. ADA compliant solution - the overall depth of the Microsoft® Surface™ Hub 2S combined with the mount is 3.52" (89.4mm) from the wall
4. Includes all necessary wall and display attachment hardware for the Microsoft® Surface™ Hub 2S which meet the required length specified by Microsoft

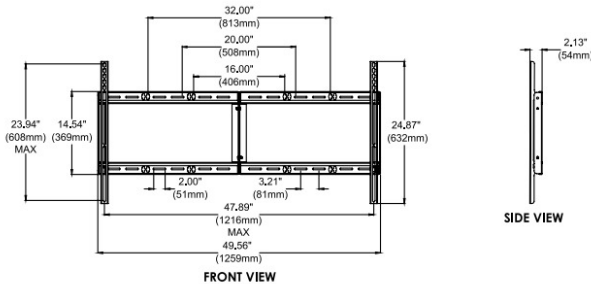


Please visit [peerless-av.com/en-us/patents](http://peerless-av.com/en-us/patents) for patent information.

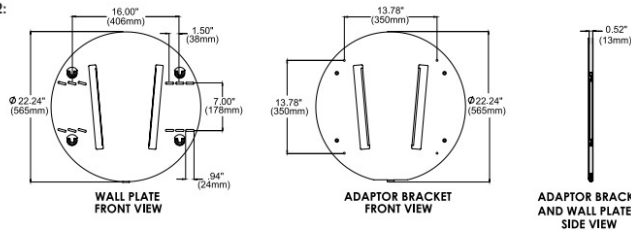
For expanded product information and technical data visit [peerless-av.com](http://peerless-av.com)

## TECHNICAL DRAWINGS

### SF680-HUB



### SF640-HUB2:



To verify mount compatibility with any display or projector model use [MountFinder™](http://MountFinder.com) at [peerless-av.com](http://peerless-av.com).

630-375-5100 | 800-865-2112 | [info@peerless-av.com](mailto:info@peerless-av.com) | [peerless-av.com](http://peerless-av.com)

## DISPLAY MOUNTS



SMARTMOUNT WALL MOUNTS

## MODELS

### Universal Models:

Includes theft resistant hardware for attaching display to mount

<b>SF680-HUB</b>	55" to 98" Displays	Black
<b>SF640-HUB2</b>	50.5" Microsoft® Surface™ Hub 2S	White

## DISPLAY ADAPTOR

Mounting Pattern	(W x H)
Universal Models:	
SF680-HUB:	1216 x 608mm (47.89" x 23.94")
SF640-HUB2:	350 x 350mm (13.78" x 13.78")

## SPECIFICATIONS

Distance from Wall	
SF680-HUB:	2.13" (54mm)
SF640-HUB2:	0.52" (13mm)

Max Load	
SF680-HUB:	300lb (136.1kg)
SF640-HUB2:	80lb (36.3kg)

Product Dimensions (W x H x D)	
SF680-HUB:	49.56" x 24.87" x 2.13" (1259 x 632 x 54mm)
SF640-HUB2:	22.24" x 22.24" x 0.52" (565 x 565 x 13mm)

Mounting Surfaces	
	Wood stud, concrete, cinder/breeze block and metal stud (Metal stud accessory required)

Ship Weight	
SF680-HUB:	22lb (10kg)
SF640-HUB2:	16.4lb (7.4kg)

## CERTIFICATIONS

SF680-HUB: COMPLIANT

SF640-HUB2: Designed for Microsoft Surface

## ACCESSORIES

	<b>SF680-HUB:</b> <b>ACC615:</b> 6-pack Metal Stud Fastener Kit ..... pg# 234
	<b>ACC-SPARK55:</b> 55" Cisco Spark Board Adaptor Brackets..... pg# 235
	<b>ACC-SPARK70:</b> 70" Cisco Spark Board Adaptor Brackets..... pg# 235
	<b>SF640-HUB2:</b> <b>ACC415:</b> 4-pack Metal Stud Fastener Kit ..... pg# 234

DISPLAY MOUNTS



MODELS

Universal Models:

Includes theft resistant hardware for attaching display to mount  
**RM13-FLIP2** Gloss White

DISPLAY ADAPTOR



Mounting Pattern (W x H)

Universal Models: 400 x 400mm  
 (15.75" x 15.75")

SPECIFICATIONS



Distance from Wall

3.24" (82mm)



Max Load

90lb (41kg)

Product Dimensions (W x H x D)

21.62" x 23.21" x 3.24"  
 (549 x 589 x 82mm)

Mounting Surfaces

Wood stud, concrete, cinder/  
 breeze block and metal stud  
 (Metal stud accessory required)

Ship Weight

32.6lb (14.8kg)

CERTIFICATIONS

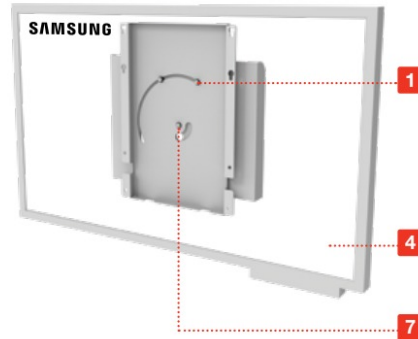


# Rotational Wall Mount

For the 55" (WM55H, WM55R) AND 65" (WM65R)

**SAMSUNG** Flip 2

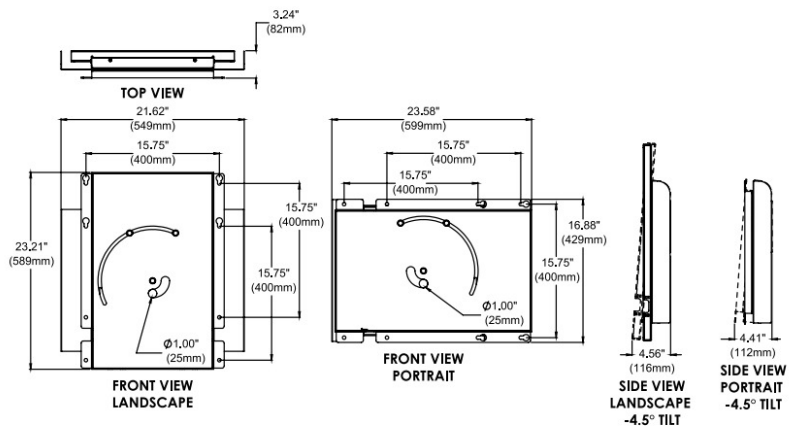
1. Rotational interface smoothly rotates the display from landscape to portrait, while providing the stability required for a touch display
2. 400 x 400 VESA® and custom length M8 hardware provide the proper mounting for the Samsung Flip 2
3. Custom fit covers provide a finished look to the sides of the mount
4. Rotational interface holds the display at a negative 4.5° to further promote ergonomics and a more natural writing surface
5. Gloss white, powder coat finish closely matches the Samsung Flip 2 finish
6. The RM13-FLIP2 wall plate securely fastens the display to 16" stud centers
7. Cable management access provides routing options on both sides of the mount for power and data



Please visit [peerless-av.com/en-us/patents](http://peerless-av.com/en-us/patents) for patent information.

TECHNICAL DRAWINGS

For expanded product information and technical data visit [peerless-av.com](http://peerless-av.com)



To verify mount compatibility with any display or projector model use MountFinder™ at [peerless-av.com](http://peerless-av.com).



# Display-Specific Flat Wall Mount

For up to 71" Displays

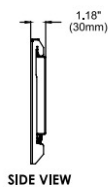
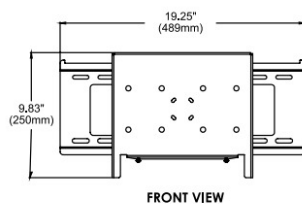
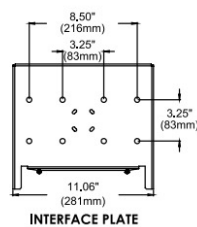
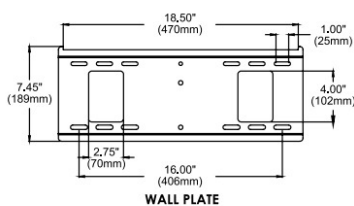
1. Fits any display-specific PLP adaptor plate
2. Measures 1.18" (30mm) from wall, plus thickness of adaptor plate
3. Horizontal display adjustment up to 8.00" (203mm) for centering display on wall
4. Easy-Glide™ design ensures display is securely attached to wall plate
5. Ships with 19.25" (489mm) wide wall plate, perfect for portrait style installations
6. Wall plate knockouts provide wall access, improving cable management options



Please visit [peerless-av.com/en-us/patents](http://peerless-av.com/en-us/patents) for patent information.

For expanded product information and technical data visit [peerless-av.com](http://peerless-av.com)

## TECHNICAL DRAWINGS



To verify mount compatibility with any display or projector model use MountFinder™ at [peerless-av.com](http://peerless-av.com).

## DISPLAY MOUNTS



### MODELS

#### Dedicated Models:

Includes theft resistant hardware for attaching display to mount  
Display adaptor purchased separately\*



**SF16D** Black for up to 16" studs

\*Dedicated adaptor plates come in flat black and include security fasteners

### DISPLAY ADAPTOR

**Dedicated Models:** Requires display-specific PLP or LC adaptor to be purchased separately





### SPECIFICATIONS

	<b>Distance from Wall</b>	1.18" (30mm)
	<b>Max Load</b>	200lb (90kg)
<b>Product Dimensions (W x H x D)</b>		
19.25" x 9.83" x 1.18" (489 x 250 x 30mm)		
<b>Mounting Surfaces</b>		
Wood stud, concrete, cinder/breeze block and metal stud (Metal stud accessory required)		
<b>Ship Weight</b>		
7.4lb (3.4kg)		

### CERTIFICATIONS



### ACCESSORIES

-  **ACC415:**  
4-pack Metal Stud Fastener Kit ..... pg# 234
-  **ACC-UCM:**  
Universal AV Component Mount..... pg# 218
-  **ESHV models:**  
AV Wall Shelves ..... pg# 211
-  **RM12W:**  
Rotational Mount Interface..... pg# 235

DISPLAY MOUNTS



MODELS

Universal Models:

Includes theft resistant hardware for attaching display to mount

**ST630** Semi-gloss black

Includes standard hardware (hex or Phillips) for attaching display to mount

**ST630P** Semi-gloss black

DISPLAY ADAPTOR



VESA® Pattern

Universal Models: 75 and 100mm

SPECIFICATIONS



Distance from Wall

1.58"-2.23" (40-57mm)



Tilt

+15/-5°



Max Load

80lb (36kg)

Product Dimensions (W x H x D)

6.61" x 6.20" x 1.58"-2.23"  
(168 x 157 x 40-57mm)

Mounting Surfaces

Wood stud, concrete, cinder/  
breeze block and metal stud  
(Metal stud accessory required)

Ship Weight

2.8lb (1.3kg)



Color Packaging

CERTIFICATIONS



ACCESSORIES



**ACC215:**  
2-pack Metal Stud  
Fastener Kit ..... pg# 234



**ACC2X1:**  
VESA® 200 x 100mm  
Adaptor Plate ..... pg# 226



**ESHV models:**  
AV Wall Shelves ..... pg# 211



**IBA4-W:**  
Easy Mount Recessed  
Low Voltage Cable Plate ..... pg# 227



**IBA5-W:**  
Recessed Low Voltage  
Media Plate with Duplex  
Surge Suppressor ..... pg# 227

SMARTMOUNT. Tilt Wall Mount

For 10" to 29" Displays\*

1. VESA® 75 and 100mm compliant
2. Up to +15/-5° of tilt without the use of tools
3. Display adaptor plate simply hooks onto wall plate for quick and easy installation

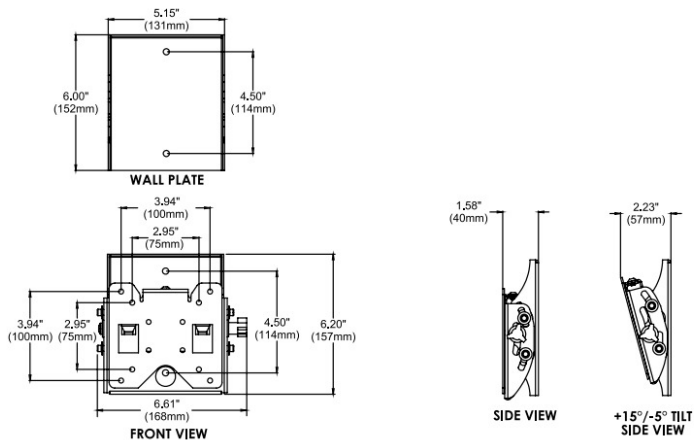


\*This display size range is simply a guideline for product selection. Displays larger than the screen size range may still be compatible as long as they fall within the VESA® pattern and max weight of the Peerless-AV® product.

Please visit [peerless-av.com/en-us/patents](http://peerless-av.com/en-us/patents) for patent information.

TECHNICAL DRAWINGS

For expanded product information and technical data visit [peerless-av.com](http://peerless-av.com)



To verify mount compatibility with any display or projector model use MountFinder™ at [peerless-av.com](http://peerless-av.com).

# SMARTMOUNT Tilt Wall Mount

For 22" to 43" Displays\*

1. VESA® 75, 100, 200 x 100 and 200 x 200mm compliant
2. Up to +15/-5° of tilt without the use of tools
3. Display adaptor plate simply hooks onto wall plate for quick and easy installation
4. Compatible with flat panels that use M8 screws

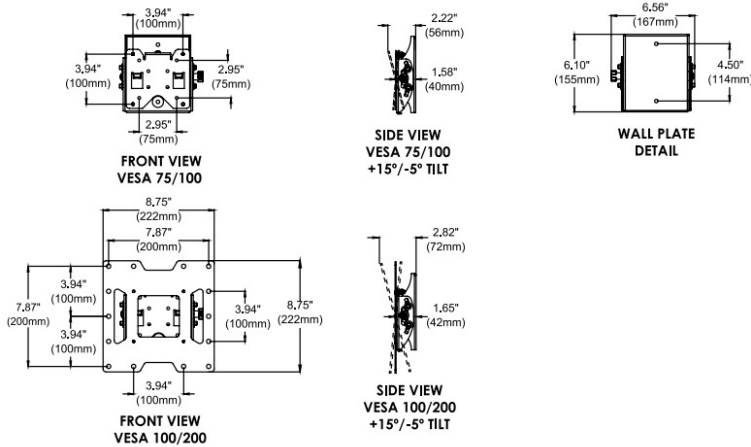


\*This display size range is simply a guideline for product selection. Displays larger than the screen size range may still be compatible as long as they fall within the VESA® pattern and max weight of the Peerless-AV® product.

Please visit [peerless-av.com/en-us/patents](http://peerless-av.com/en-us/patents) for patent information.

For expanded product information and technical data visit [peerless-av.com](http://peerless-av.com)

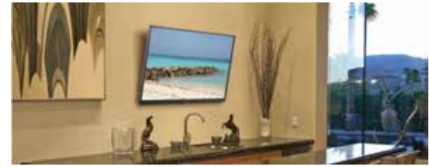
## TECHNICAL DRAWINGS



To verify mount compatibility with any display or projector model use MountFinder™ at [peerless-av.com](http://peerless-av.com).

630-375-5100 | 800-865-2112 | [info@peerless-av.com](mailto:info@peerless-av.com) | [peerless-av.com](http://peerless-av.com)

## DISPLAY MOUNTS



SMARTMOUNT WALL MOUNTS

## MODELS

### Universal Models:

Includes theft resistant hardware for attaching display to mount

**ST632** Semi-gloss black

Includes standard hardware (hex or Phillips) for attaching display to mount

**ST632P** Semi-gloss black

## DISPLAY ADAPTOR



### VESA® Pattern

Universal Models: 75, 100, 200 x 100 and 200 x 200mm

## SPECIFICATIONS

### Distance from Wall

1.65" -2.82" (42 -72mm)

### Tilt

+15/-5°

### Max Load

115lb (52kg)

### Product Dimensions (W x H x D)

8.75" x 8.75" x 1.65" -2.82"  
(222 x 222 x 42 -72mm)

### Mounting Surfaces

Wood stud, concrete, cinder/breeze block and metal stud (Metal stud accessory required)

### Ship Weight

4.7lb (2.2kg)



Color Packaging

## CERTIFICATIONS



## ACCESSORIES

- ACC215:** 2-pack Metal Stud Fastener Kit ..... pg# 234
- ACC4X4:** VESA® 400 x 400mm Adaptor Plate..... pg# 226
- ACC-UCM:** Universal AV Component Mount..... pg# 218
- ESHV models:** AV Wall Shelves ..... pg# 211
- IBA4-W:** Easy Mount Recessed Low Voltage Cable Plate ..... pg# 227
- IBA5-W:** Recessed Low Voltage Media Plate with Duplex Surge Suppressor ..... pg# 227



DISPLAY MOUNTS



MODELS

Universal Models:

Includes theft resistant hardware for attaching display to mount

**ST640** Semi-gloss black

Includes standard hardware (hex or Phillips) for attaching display to mount

**ST640P** Semi-gloss black

DISPLAY ADAPTOR

Mounting Pattern	(W x H)
Universal Models:	458 x 405mm (18.02" x 15.95")

Many 42" flat panel displays have mounting hole patterns larger than dimensions above. Use MountFinder™ to verify mount compatibility.



VESA® Pattern

Universal Models: Up to 400 x 400mm

SPECIFICATIONS

Distance from Wall	2.62"-5.40" (67-137mm)
--------------------	------------------------

Tilt	+15/-5°
------	---------

Max Load	150lb (68kg)
----------	--------------

Product Dimensions (W x H x D)	22.14" x 16.89" x 2.62"-5.40" (562 x 429 x 67-137mm)
--------------------------------	---

Mounting Surfaces

Wood stud, concrete, cinder/breeze block and metal stud  
(Metal stud accessory required)

Ship Weight

7.82lb (3.55kg)



Color Packaging

CERTIFICATIONS



ACCESSORIES

-  **ACC415:**  
4-pack Metal Stud Fastener Kit ..... pg# 234
-  **ACC309:**  
Video Conference Shelf ..... pg# 215
-  **ACC-UCM:**  
Universal AV Component Mount..... pg# 218
-  **ACC-WMVCs:**  
Video Conferencing Shelf ..... pg# 217
-  **ESHV models:**  
AV Wall Shelves ..... pg# 211
-  **IBA4-W:**  
Easy Mount Recessed Low Voltage Cable Plate ..... pg# 227

# SMARTMOUNT Universal Tilt Wall Mount

For 32" to 50" Displays\*

1. Open wall plate design allows for total wall access, increasing electrical and cable management options
2. Up to 0.25" (6mm) of vertical adjustment on each universal display adaptor bracket for post-installation leveling and height adjustment fine-tuning
3. Included IncreLok™ feature offers fixed tilt lock in 5° increments when used
4. Easy-Grip™ ratcheting handle locks tilt angle into place
5. Universal tilt adaptors allow for +15/-5° tilt adjustment in one easy motion
6. Horizontal display adjustment up to 6.00" (152mm) for centering display on wall
7. Universal display adaptors easily hook onto wall plate for fast installation
8. Landscape to portrait mounting options increase installation versatility. Please check your display dimensions against the wall plate when used in portrait mode\*\*



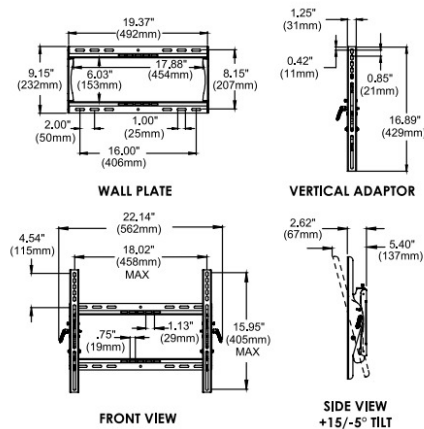
\*This display size range is simply a guideline for product selection. Displays larger than the screen size range may still be compatible as long as they fall within the VESA® pattern and max weight of the Peerless-AV® product.

\*\* Requires display to be removed and reset on mount

Please visit [peerless-av.com/en-us/patents](http://peerless-av.com/en-us/patents) for patent information.

TECHNICAL DRAWINGS

For expanded product information and technical data visit [peerless-av.com](http://peerless-av.com)

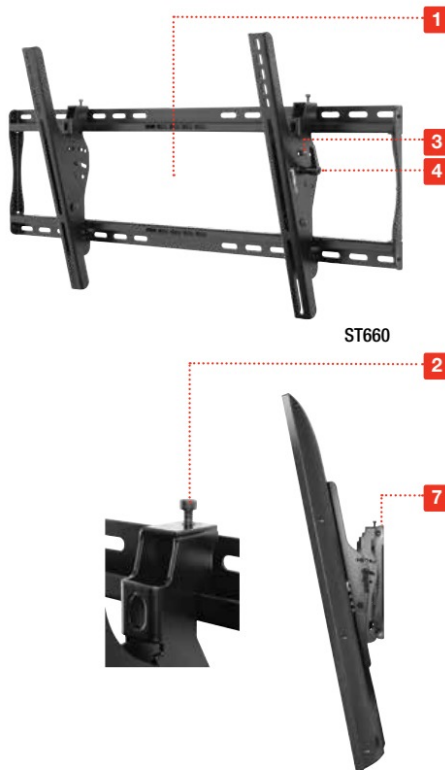


To verify mount compatibility with any display or projector model use MountFinder™ at [peerless-av.com](http://peerless-av.com).

# SMARTMOUNT Universal Tilt Wall Mount

For 39" to 80" Displays\*

1. Open wall plate design allows for total wall access, increasing electrical and cable management options
2. Up to 0.25" (6mm) of vertical adjustment on each universal display adaptor bracket for post-installation leveling and height adjustment fine-tuning
3. Universal tilt adaptors allow for +15/-5° tilt adjustment in one easy motion
4. Included IncreLok™ feature offers fixed tilt lock in 5° increments when used
5. Easy-Grip™ ratcheting handle locks tilt angle into place
6. Horizontal display adjustment up to 8.00" (203mm) for centering display on wall
7. Universal display adaptors easily hook onto wall plate for fast installation
8. Landscape to portrait mounting options increase installation versatility. Please check your display dimensions against the wall plate when used in portrait mode\*\*



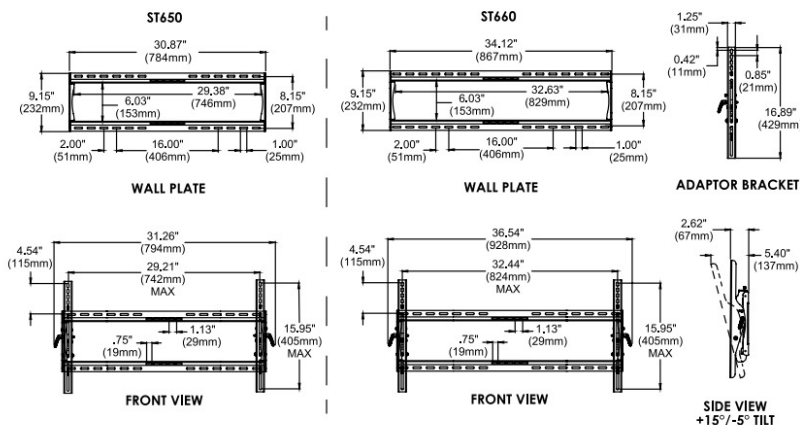
\*This display size range is simply a guideline for product selection. Displays larger than the screen size range may still be compatible as long as they fall within the VESA® pattern and max weight of the Peerless-AV® product.

\*\* Requires display to be removed and reset on mount

Please visit [peerless-av.com/en-us/patents](http://peerless-av.com/en-us/patents) for patent information.

For expanded product information and technical data visit [peerless-av.com](http://peerless-av.com)

## TECHNICAL DRAWINGS



To verify mount compatibility with any display or projector model use MountFinder™ at [peerless-av.com](http://peerless-av.com).

630-375-5100 | 800-865-2112 | [info@peerless-av.com](mailto:info@peerless-av.com) | [peerless-av.com](http://peerless-av.com)

## DISPLAY MOUNTS



SMARTMOUNT WALL MOUNTS

## MODELS

### Universal Models:

Includes theft resistant hardware for attaching display to mount

**ST650** 39" to 75" Displays Semi-gloss black

**ST660** 39" to 80" Displays Semi-gloss black

Includes standard hardware (hex or Phillips) for attaching display to mount

**ST650P** 39" to 75" Displays Semi-gloss black

**ST660P** 39" to 80" Displays Semi-gloss black

## DISPLAY ADAPTOR

Mounting Pattern	(W x H)
<b>Universal Models:</b>	
<b>ST650(P):</b>	742 x 405mm (29.21" x 15.95")
<b>ST660(P):</b>	824 x 405mm (32.44" x 15.95")
<b>VESA® Pattern</b>	
<b>Universal Models:</b>	
<b>ST650(P):</b>	Up to 600 x 400mm
<b>ST660(P):</b>	Up to 800 x 400mm

## SPECIFICATIONS

<b>Distance from Wall</b>	2.62"-5.40" (67-137mm)
<b>Tilt</b>	+15/-5°
<b>Max Load</b>	<b>ST650(P):</b> 175lb (79kg) <b>ST660(P):</b> 200lb (91kg)
<b>Product Dimensions (W x H x D)</b>	<b>ST650(P):</b> 31.26" x 16.89" x 2.62"-5.40" (794 x 429 x 67-137mm) <b>ST660(P):</b> 36.54" x 16.89" x 2.62"-5.40" (928 x 429 x 67-137mm)

### Mounting Surfaces

Wood stud, concrete, cinder/breeze block and metal stud (Metal stud accessory required)

### Ship Weight

<b>ST650(P):</b>	10.35lb (4.70kg)
<b>ST660(P):</b>	11.00lb (4.99kg)

Color Packaging

## CERTIFICATIONS



## ACCESSORIES

	<b>ACC415:</b> 4-pack Metal Stud Fastener Kit ..... pg# 234
	<b>ACC309:</b> Video Conference Shelf ..... pg# 215
	<b>ACC-UCM:</b> Universal AV Component Mount..... pg# 218
	<b>ACC-WMVCs:</b> Video Conferencing Shelf ..... pg# 217
	<b>ESHV models:</b> AV Wall Shelves ..... pg# 211
	<b>IBA4-W:</b> Easy Mount Recessed Low Voltage Cable Plate ..... pg# 227

DISPLAY MOUNTS



MODELS

Universal Models:

Includes theft resistant hardware for attaching display to mount

**ST670** Semi-gloss black

Includes standard hardware (hex or Phillips) for attaching display to mount

**ST670P** Semi-gloss black

DISPLAY ADAPTOR



Mounting Pattern (W x H)

Universal Models: 895 x 450mm  
(35.25" x 17.72")

SPECIFICATIONS



Distance from Wall

3.00"-6.63" (76-168mm)



Tilt

+15/-5°



Max Load

250lb (113kg)

Product Dimensions (W x H x D)

39.40" x 19.48" x 3.00"-6.63"  
(1001 x 495 x 76-168mm)

Mounting Surfaces

Wood stud, concrete, cinder/  
breeze block and metal stud  
(Metal stud accessory required)

Ship Weight



Color Packaging

19.13lb (8.68kg)

CERTIFICATIONS



ACCESSORIES



**ACC615:**  
6-pack Metal Stud  
Fastener Kit ..... pg# 234



**ACC309:**  
Video Conference Shelf ..... pg# 215



**ACC-UCM:**  
Universal AV  
Component Mount..... pg# 218



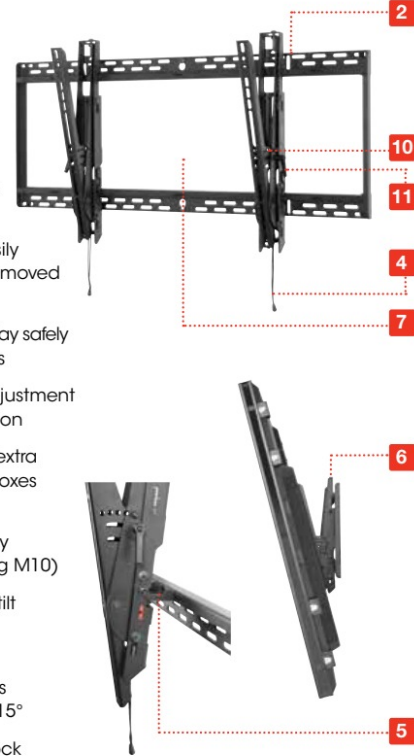
**ESHV models:**  
AV Wall Shelves ..... pg# 211



**IBA4-W:**  
Easy Mount Recessed  
Low Voltage Cable Plate ..... pg# 227

SMARTMOUNT Universal Tilt Wall Mount  
For 46" to 90" Displays\*

1. Easy hang wall plate allows a bolt to be pre-installed to ease wall plate installation
2. Lateral display adjustment up to 11.25" (286mm)
3. Adaptor rail latching feature securely locks the display in place with an audible click
4. Draw strings can be used to easily remove the display or can be removed for a theft resistant installation
5. A built-in kick stand holds the display safely away from the wall for easy access
6. 1" of post-installation vertical adjustment provides flexibility in the installation
7. Large open wall plate provides extra stability and room for junction boxes
8. Includes fastener pack with all necessary mounting and display attachment hardware (including M10)
9. Adjustable up to 15° of forward tilt and -5° of backward tilt for the optimal viewing angle
10. Optional IncreLok™ feature offers fixed tilt angles of -5°, 0°, 5°, 10°, 15°
11. Easy-Grip™ ratcheting handle lock the display into place

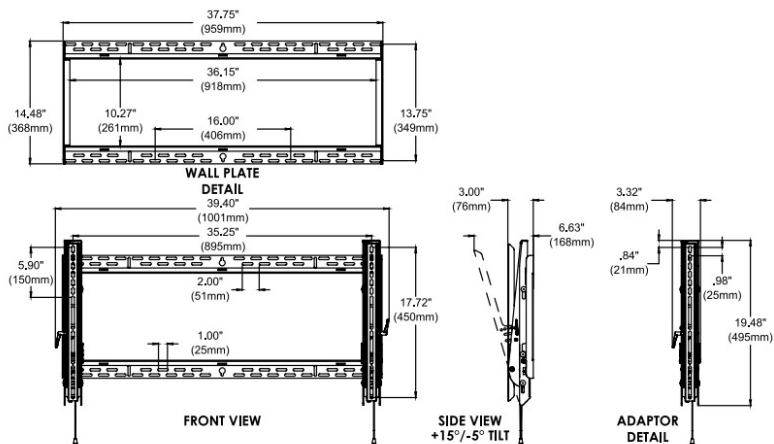


\*This display size range is simply a guideline for product selection. Displays larger than the screen size range may still be compatible as long as they fall within the VESA® pattern and max weight of the Peerless-AV® product.

Please visit [peerless-av.com/en-us/patents](http://peerless-av.com/en-us/patents) for patent information.

TECHNICAL DRAWINGS

For expanded product information and technical data visit [peerless-av.com](http://peerless-av.com)



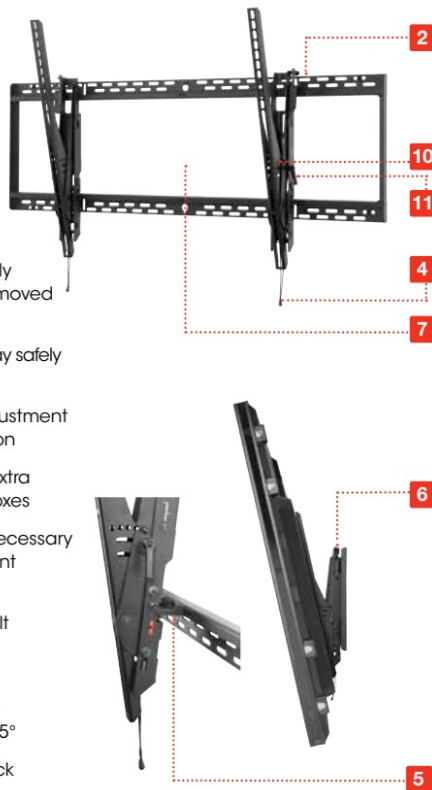
To verify mount compatibility with any display or projector model use MountFinder™ at [peerless-av.com](http://peerless-av.com).



# SMARTMOUNT Universal Tilt Wall Mount

For 60" to 98" Displays\*

1. Easy hang wall plate allows a bolt to be pre-installed to ease wall plate installation
2. Lateral display adjustment up to 19.25" (489mm)
3. Adaptor rail latching feature securely locks the display in place with an audible click
4. Draw strings can be used to easily remove the display or can be removed for a theft resistant installation
5. A built-in kick stand holds the display safely away from the wall for easy access
6. 1" of post-installation vertical adjustment provides flexibility in the installation
7. Large open wall plate provides extra stability and room for junction boxes
8. Includes fastener pack with all necessary mounting and display attachment hardware (including M10)
9. Adjustable up to 15° of forward tilt and -5° of backward tilt for the optimal viewing angle
10. Optional IncreLok™ feature offers fixed tilt angles of -5°, 0°, 5°, 10°, 15°
11. Easy-Grip™ ratcheting handle lock the display into place

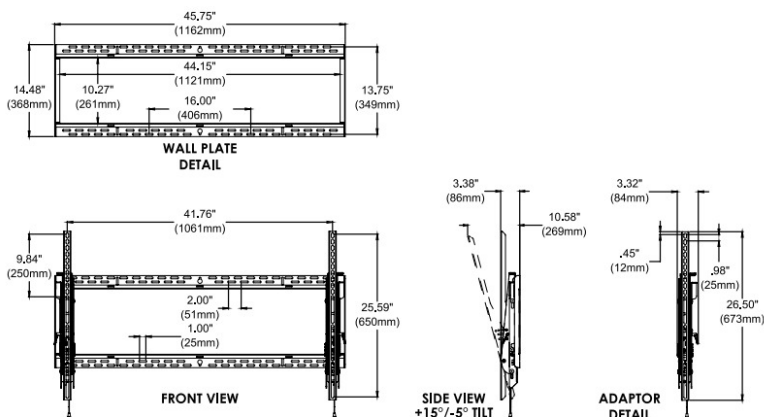


\*This display size range is simply a guideline for product selection. Displays larger than the screen size range may still be compatible as long as they fall within the VESA® pattern and max weight of the Peerless-AV® product.

Please visit [peerless-av.com/en-us/patents](http://peerless-av.com/en-us/patents) for patent information.

For expanded product information and technical data visit [peerless-av.com](http://peerless-av.com)

## TECHNICAL DRAWINGS



To verify mount compatibility with any display or projector model use MountFinder™ at [peerless-av.com](http://peerless-av.com).

630-375-5100 | 800-865-2112 | [info@peerless-av.com](mailto:info@peerless-av.com) | [peerless-av.com](http://peerless-av.com)

## DISPLAY MOUNTS



SMARTMOUNT WALL MOUNTS

## MODELS

### Universal Models:

Includes theft resistant hardware for attaching display to mount

**ST680** Semi-gloss black

Includes standard hardware (hex or Phillips) for attaching display to mount

**ST680P** Semi-gloss black

## DISPLAY ADAPTOR

Mounting Pattern	(W x H)
Universal Models:	1061 x 650mm (41.76" x 25.59")

## SPECIFICATIONS

Distance from Wall	3.38"-10.58" (86-269mm)
Tilt	+15/-5°
Max Load	350lb (158kg)
Product Dimensions (W x H x D)	45.75" x 26.50" x 3.38"-10.58" (1162 x 673 x 86-269mm)
Mounting Surfaces	Wood stud, concrete, cinder/breeze block and metal stud (Metal stud accessory required)
Ship Weight	22.13lb (10.04kg)
Color Packaging	

## CERTIFICATIONS



## ACCESSORIES

	<b>ACC615:</b> 6-pack Metal Stud Fastener Kit ..... pg# 234
	<b>ACC309:</b> Video Conference Shelf ..... pg# 215
	<b>ACC-UCM:</b> Universal AV Component Mount..... pg# 218
	<b>ESHV models:</b> AV Wall Shelves ..... pg# 211
	<b>IBA4-W:</b> Easy Mount Recessed Low Voltage Cable Plate..... pg# 227

DISPLAY MOUNTS



MODELS

Universal Models:

Includes theft resistant hardware for attaching display to mount  
**STP680** Semi-gloss black

DISPLAY ADAPTOR

Mounting Pattern	(W x H)
Universal Models:	455 x 650mm (17.91" x 25.59")

SPECIFICATIONS

	<b>Distance from Wall</b>	3.38"-10.58" (86-269mm)
	<b>Tilt</b>	+15/-5°
	<b>Max Load</b>	350lb (158kg)
<b>Product Dimensions (W x H x D)</b>		22.00" x 26.50" x 3.38"-10.58" (559 x 673 x 86-269mm)
<b>Mounting Surfaces</b>		Wood stud, concrete, cinder/breeze block and metal stud (Metal stud accessory required)
<b>Ship Weight</b>		18.87lb (8.55kg)

CERTIFICATIONS



ACCESSORIES



**ACC615:**  
6-pack Metal Stud Fastener Kit ..... pg# 234



**ACC309:**  
Video Conference Shelf ..... pg# 215



**ACC-UCM:**  
Universal AV Component Mount..... pg# 218



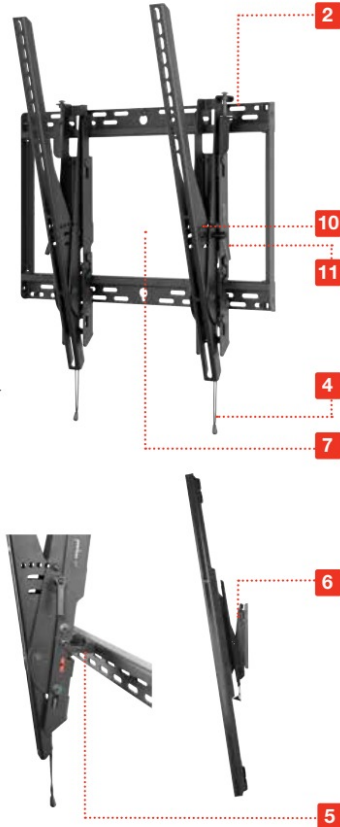
**ESHV models:**  
AV Wall Shelves ..... pg# 211



**IBA4-W:**  
Easy Mount Recessed Low Voltage Cable Plate ..... pg# 227

SMARTMOUNT  
**Universal Portrait  
 Tilt Wall Mount**  
 For 46" to 90" Displays\*

1. Easy hang wall plate allows a bolt to be pre-installed to ease wall plate installation
2. Lateral display adjustment up to 1.63" (41mm)
3. Adaptor rail latching feature securely locks the display in place with an audible click
4. Draw strings can be used to easily remove the display or can be removed for a theft resistant installation
5. A built-in kick stand holds the display safely away from the wall for easy access
6. 1" of post-installation vertical adjustment provides flexibility in the installation
7. Large open wall plate provides extra stability and room for junction boxes
8. Includes fastener pack with all necessary mounting and display attachment hardware (including M10)
9. Adjustable up to 15° of forward tilt and -5° of backward tilt for the optimal viewing angle
10. Optional IncreLok™ feature offers fixed tilt angles of -5°, 0°, 5°, 10°, 15°
11. Easy-Grip™ ratcheting handle lock the display into place

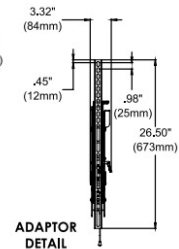
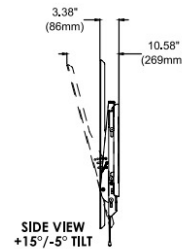
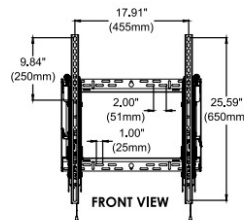
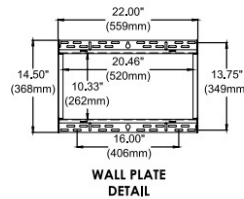


\*This display size range is simply a guideline for product selection. Displays larger than the screen size range may still be compatible as long as they fall within the VESA® pattern and max weight of the Peerless-AV® product.

Please visit [peerless-av.com/en-us/patents](http://peerless-av.com/en-us/patents) for patent information.

TECHNICAL DRAWINGS

For expanded product information and technical data visit [peerless-av.com](http://peerless-av.com)

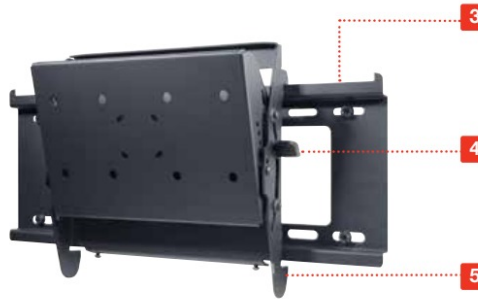


To verify mount compatibility with any display or projector model use MountFinder™ at [peerless-av.com](http://peerless-av.com).

# Display-Specific Tilt Wall Mount

For up to 71" Displays

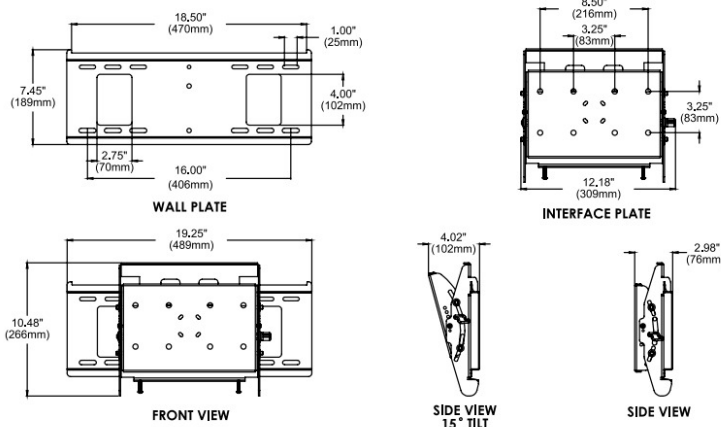
1. Fits any display-specific PLP or LC adaptor plate
2. Tilt allows adjustment of +15/-5° without the use of tools
3. Horizontal display adjustment up to 8.00" (203mm) for centering display on wall
4. Included IncreLok™ feature offers fixed tilt lock in 5° increments when used
5. Easy-Glide™ design ensures display is securely attached to wall plate
6. Ships with 19.25" (489mm) wide wall plate, perfect for portrait style installations
7. Wall plate knockouts provide wall access, improving cable management options



Please visit [peerless-av.com/en-us/patents](http://peerless-av.com/en-us/patents) for patent information.

For expanded product information and technical data visit [peerless-av.com](http://peerless-av.com)

## TECHNICAL DRAWINGS



To verify mount compatibility with any display or projector model use MountFinder™ at [peerless-av.com](http://peerless-av.com).

## DISPLAY MOUNTS



### MODELS

#### Dedicated Models:

Includes theft resistant hardware for attaching display to mount  
 Display adaptor purchased separately\*

**ST16D** Black for up to 16" studs

\*Dedicated adaptor plates come in flat black and include security fasteners

### DISPLAY ADAPTOR

**Dedicated Models:** Requires display-specific PLP or LC adaptor to be purchased separately

### SPECIFICATIONS

	<b>Distance from Wall</b>	2.98" (76mm)
	<b>Tilt</b>	+15/-5°
	<b>Max Load</b>	200lb (90kg)
	<b>Product Dimensions (W x H x D)</b>	19.25" x 10.48" x 2.98"-4.02" (489 x 266 x 76-102mm)
	<b>Mounting Surfaces</b>	Wood stud, concrete, cinder/breeze block and metal stud (Metal stud accessory required)
	<b>Ship Weight</b>	10.1lb (4.6kg)

### CERTIFICATIONS



### ACCESSORIES

- ACC615:** 6-pack Metal Stud Fastener Kit ..... pg# 234
- ACC-UCM:** Universal AV Component Mount..... pg# 218
- ESHV models:** AV Wall Shelves..... pg# 211
- RM12W:** Rotational Mount Interface..... pg# 235



DISPLAY MOUNTS



MODELS

Universal Models:

Includes standard hardware (hex or Phillips) for attaching display to mount  
**SP730P** Semi-gloss black

DISPLAY ADAPTOR



VESA® Pattern

Universal Models: 75 x 75, 100 x 100mm

SPECIFICATIONS

	<b>Distance from Wall</b>	2.77"-9.88" (70-251mm)
	<b>Tilt   Swivel   Roll</b>	±35°   ±90°   ±5°
	<b>Max Load</b>	25lb (11kg)
	<b>Product Dimensions (W x H x D)</b>	11.14" x 8.06" x 2.77"-9.88" (283 x 205 x 70-251mm)
	<b>Mounting Surfaces</b>	Wood stud, concrete, cinder/breeze block and metal stud (Metal stud accessory required)
	<b>Ship Weight</b>	3.75lb (1.70kg)
		Color Packaging

CERTIFICATIONS



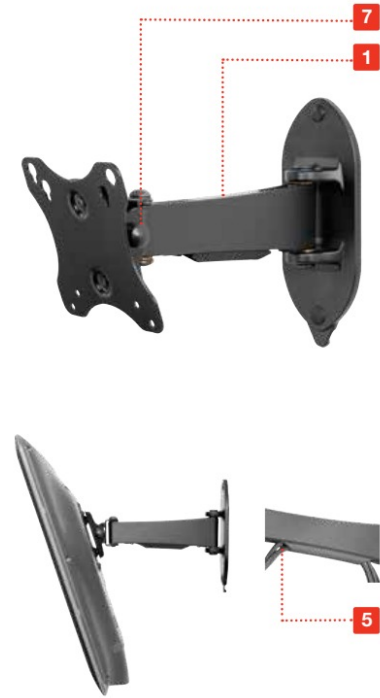
ACCESSORIES

	<b>ACC918:</b> Security Fasteners ..... pg# 234
	<b>ACC2X1:</b> VESA® 200 x 100mm Adaptor Plate ..... pg# 226
	<b>ESHV models:</b> AV Wall Shelves ..... pg# 211
	<b>IBA4-W:</b> Easy Mount Recessed Low Voltage Cable Plate ..... pg# 227
	<b>IBA5-W:</b> Recessed Low Voltage Media Plate with Duplex Surge Suppressor ... pg# 227
	<b>WSP700/WSP701:</b> Metal Stud Wall Plates for 167/24" Center Metal Studs ... pg# 233

SMARTMOUNT. Pivoting Wall Mount

For 10" to 29" Displays\*

1. Extends display 9.88" (251mm) from the wall
2. Retracts to hold display 2.77" (70mm) from the wall
3. ±90° of pivot allows for perfect display positioning
4. Quick and easy, Hook-and-Hang™ one-person installation
5. Internal cable management provides clean, professional installation finish
6. Easy leveling ±5° after display installation
7. One-Touch™ tilt offers ±35° of viewing angle adjustment
8. Landscape or portrait mounting options increase display versatility
9. Includes all necessary wall mounting and display attachment hardware

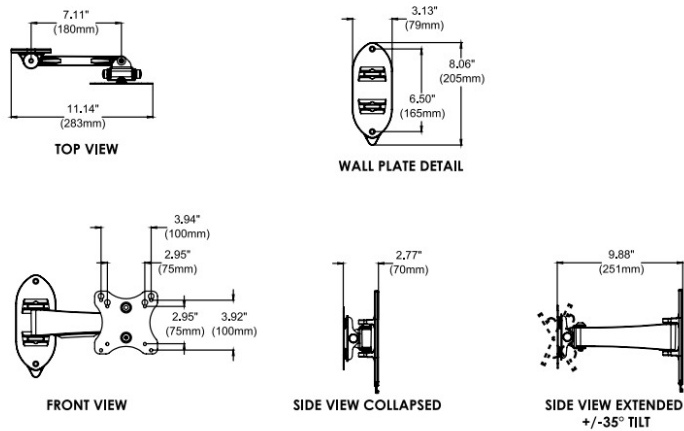


\*This display size range is simply a guideline for product selection. Displays larger than the screen size range may still be compatible as long as they fall within the VESA® pattern and max weight of the Peerless-AV® product.

Please visit [peerless-av.com/en-us/patents](http://peerless-av.com/en-us/patents) for patent information.

TECHNICAL DRAWINGS

For expanded product information and technical data visit [peerless-av.com](http://peerless-av.com)

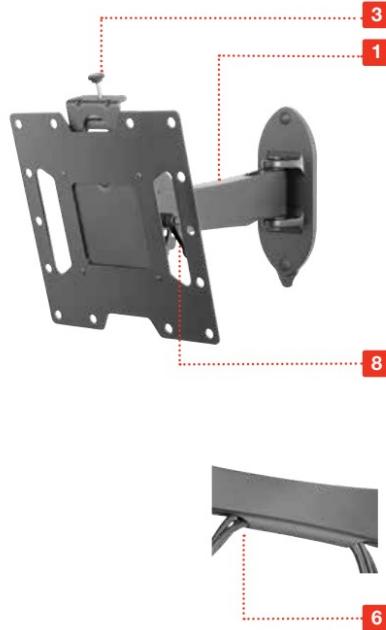


To verify mount compatibility with any display or projector model use MountFinder™ at [peerless-av.com](http://peerless-av.com).

# SMARTMOUNT. Pivoting Wall Mount

For 22" to 43" Displays\*

1. Extends display 12.41" (315mm) from the wall
2. Retracts to hold display just 3.03" (77mm) from the wall
3. Up to  $\pm 0.5"$  (13mm) of vertical adjustment for post-installation leveling and height adjustment fine-tuning
4.  $\pm 90^\circ$  of pivot allows for perfect display positioning
5. Quick and easy, Hook-and-Hang™ one-person installation
6. Internal cable management provides clean, professional installation finish
7. Easy leveling  $\pm 5^\circ$  after display installation
8. One-Touch™ tilt offers  $+15^\circ/-5^\circ$  of viewing angle adjustment
9. Landscape or portrait mounting options increase display versatility
10. Includes all necessary wall mounting and display attachment hardware

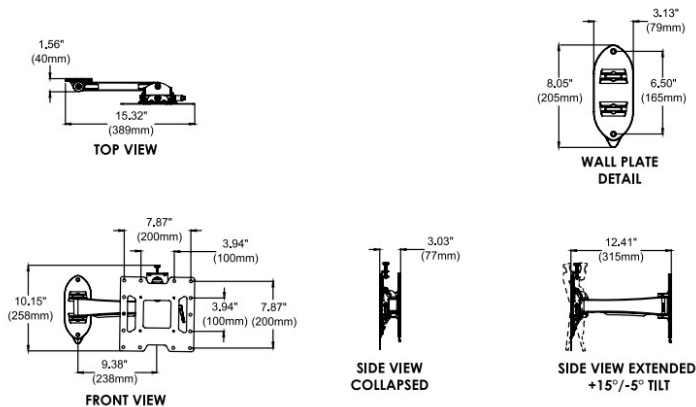


\*This display size range is simply a guideline for product selection. Displays larger than the screen size range may still be compatible as long as they fall within the VESA® pattern and max weight of the Peerless-AV™ product.

Please visit [peerless-av.com/en-us/patents](http://peerless-av.com/en-us/patents) for patent information.

For expanded product information and technical data visit [peerless-av.com](http://peerless-av.com)

## TECHNICAL DRAWINGS



To verify mount compatibility with any display or projector model use MountFinder™ at [peerless-av.com](http://peerless-av.com).

630-375-5100 | 800-865-2112 | [info@peerless-av.com](mailto:info@peerless-av.com) | [peerless-av.com](http://peerless-av.com)

## DISPLAY MOUNTS



SMARTMOUNT.  
WALL MOUNTS

## MODELS

### Universal Models:

Includes standard hardware (hex or Phillips) for attaching display to mount  
**SP740P** Semi-gloss black

## DISPLAY ADAPTOR



### VESA® Pattern

Universal Models: 100 x 100, 200 x 100 and 200 x 200mm

## SPECIFICATIONS



### Distance from Wall

3.03"-12.41" (77-315mm)



### Tilt | Swivel | Roll

$+15^\circ/-5^\circ$  |  $\pm 90^\circ$  |  $\pm 5^\circ$



### Max Load

80lb (36kg)

### Product Dimensions (W x H x D)

15.32" x 10.15" x 3.03"-12.41"  
(389 x 258 x 77-315mm)

### Mounting Surfaces

Wood stud, concrete, cinder/breeze block and metal stud (Metal stud accessory required)

### Ship Weight

6.2lb (2.8kg)

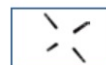


Color Packaging

## CERTIFICATIONS

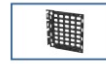


## ACCESSORIES



### ACC4X4:

VESA® 400 x 400mm Adaptor Plate ..... pg# 226



### ACC-UCM:

Universal AV Component Mount..... pg# 218



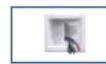
### ESHV models:

AV Wall Shelves ..... pg# 211



### IBA4-W:

Easy Mount Recessed Low Voltage Cable Plate ..... pg# 227



### IBA5-W:

Recessed Low Voltage Media Plate with Duplex Surge Suppressor... pg# 227



### WSP700/WSP701:

Metal Stud Wall Plates for 16"/24" Center Metal Studs... pg# 233

DISPLAY MOUNTS



MODELS

Universal Models:

Includes standard hardware (hex or Phillips) for attaching display to mount  
**SP746PU** Semi-gloss black

DISPLAY ADAPTOR



Mounting Pattern (W x H)

Universal Models: 400 x 400mm  
(15.75" x 15.75")



VESA® Pattern

Universal Models: 200 x 100 to 400 x 400mm

SPECIFICATIONS



Distance from Wall

3.46"-12.84" (88-326mm)



Tilt | Swivel | Roll

+15°/-5° | ±90° | ±5°



Max Load

80lb (36kg)

Product Dimensions (W x H x D)

19.21" x 16.75" x 3.46"-12.84"  
(488 x 425 x 88-326mm)

Mounting Surfaces

Wood stud, concrete, cinder/  
breeze block and metal stud  
(Metal stud accessory required)

Ship Weight

9.8lb (4.5kg)



Color Packaging

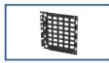
CERTIFICATIONS



ACCESSORIES



**ACC4X4:**  
VESA® 400 x 400mm  
Adaptor Plate ..... pg# 226



**ACC-UCM:**  
Universal AV  
Component Mount..... pg# 218



**ESHV models:**  
AV Wall Shelves ..... pg# 211



**IBA4-W:**  
Easy Mount Recessed  
Low Voltage Cable Plate ..... pg# 227



**IBA5-W:**  
Recessed Low Voltage Media Plate  
with Duplex Surge Suppressor... pg# 227

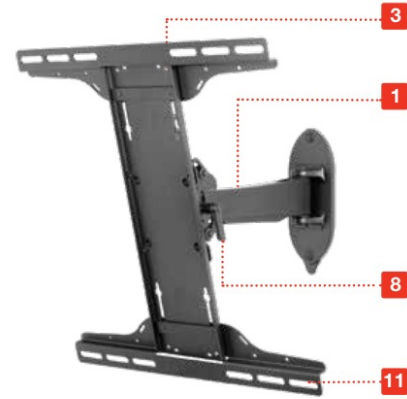


**WSP700/WSP701:**  
Metal Stud Wall Plates for  
16"/24" Center Metal Studs... pg# 233

SMARTMOUNT. Pivoting Wall Mount

For 32" to 50" Displays\*

1. Extends display 12.84" (326mm) from the wall
2. Retracts to hold display just 3.46" (88mm) from the wall
3. Up to ±0.5" (13mm) of vertical adjustment for post-installation leveling and height adjustment fine-tuning
4. ±90° of pivot allows for perfect display positioning
5. Quick and easy, Hook-and-Hang™ one-person installation
6. Internal cable management provides clean, professional installation finish
7. Easy leveling ±5° after display installation
8. One-Touch™ tilt offers +15°/-5° of viewing angle adjustment
9. Landscape or portrait mounting options increase display versatility
10. Includes all necessary wall mounting and display attachment hardware
11. SP746PU's I-Shaped Adaptor plate's innovative design helps avoid blocking connections on back of display

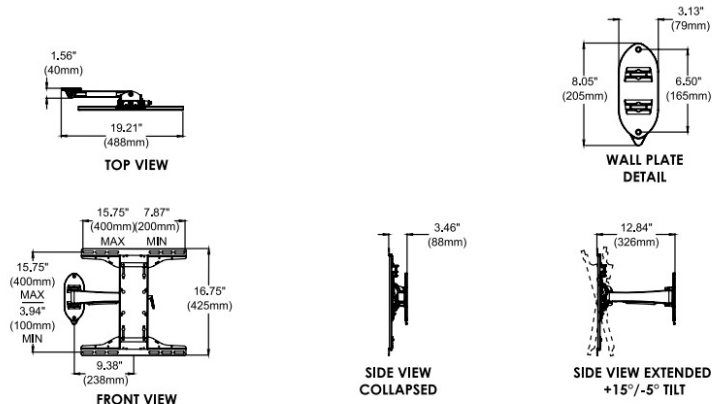


\*This display size range is simply a guideline for product selection. Displays larger than the screen size range may still be compatible as long as they fall within the VESA® pattern and max weight of the Peerless-AV® product.

Please visit [peerless-av.com/en-us/patents](http://peerless-av.com/en-us/patents) for patent information.

TECHNICAL DRAWINGS

For expanded product information and technical data visit [peerless-av.com](http://peerless-av.com)



To verify mount compatibility with any display or projector model use MountFinder™ at [peerless-av.com](http://peerless-av.com).

630-375-5100 | 800-865-2112 | [info@peerless-av.com](mailto:info@peerless-av.com) | [peerless-av.com](http://peerless-av.com)



# Pull-Out Pivot Wall Mount

For 32" to 65" Displays

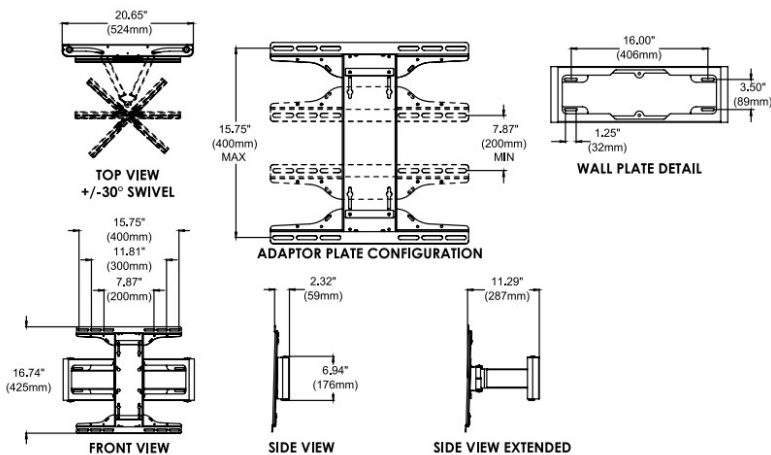
1. Contemporary/lightweight design perfectly matches TVs to fit into any room decor
2. Designed for both wood and metal 16" studs or single stud
3. Built in pivot up to  $\pm 30^\circ$  provides adjustable viewing angles
4. Easy pull-out provides quick maintenance access
5. Supports VESA® patterns from 200 x 200 to 400 x 400mm
6. The I-Shaped Adaptor plate's innovative design helps avoid blocking connections on back of display
7. Display continues to stay centered on the mount when extended or retracted
8. Security screws prevent tampering and theft
9. Flush mountable in-furniture when used in conjunction with In-furniture bracket accessory, ACC-HPF650



Please visit [peerless-av.com/en-us/patents](http://peerless-av.com/en-us/patents) for patent information.

For expanded product information and technical data visit [peerless-av.com](http://peerless-av.com)

## TECHNICAL DRAWINGS



To verify mount compatibility with any display or projector model use MountFinder™ at [peerless-av.com](http://peerless-av.com).

630-375-5100 | 800-865-2112 | [info@peerless-av.com](mailto:info@peerless-av.com) | [peerless-av.com](http://peerless-av.com)

## DISPLAY MOUNTS



SMARTMOUNT  
WALL MOUNTS

### MODELS


#### Universal Models:

Includes theft resistant hardware for attaching display to mount  
**HPF650** Black

### DISPLAY ADAPTOR

Mounting Pattern	(W x H)
Universal Models:	400 x 400mm (15.75" x 15.75")
VESA® Pattern	
Universal Models:	200 x 200 to 400 x 400mm




### SPECIFICATIONS

Distance from Wall	2.32"-11.29" (59-287mm)
Swivel   Roll	$\pm 30^\circ$   $\pm 1^\circ$
Max Load	60lb (27kg)
Product Dimensions (W x H x D)	20.65" x 16.74" x 2.32"-11.29" (525 x 425 x 59-287mm)
Mounting Surfaces	Wood stud, concrete and cinder/breeze block
Ship Weight	15.3lb (6.9kg)
Color Packaging	

### CERTIFICATIONS



### ACCESSORIES

	<b>ACC-HPF650:</b> In-furniture Bracket ..... pg# 226
	<b>ACC-UCM:</b> Universal AV Component Mount..... pg# 218
	<b>IBA3AC(-W):</b> Recessed Cable Management and Power Storage Accessory Box... pg# 227

DISPLAY MOUNTS



MODELS

Dedicated Models:

Screen adaptor purchased separately for non-VESA® displays\*  
Includes theft resistant hardware for attaching display to mount  
**FPS-1000** Black

\* Dedicated adaptor plates come in flat black and include security fasteners

DISPLAY ADAPTOR



VESA® Pattern

Dedicated Models: 100 x 100 and 200 x 100mm  
Non-VESA® compliant displays require display-specific adaptor to be purchased separately.

SPECIFICATIONS

**Distance from Wall**  
2.16"-10.53" (55-267mm)

**Swivel | Roll**  
±45° | ±1°

**Max Load**  
150lb (68kg)

**Product Dimensions (W x H x D)**  
21.00" x 9.64" x 2.16"-10.53"  
(533 x 245 x 55-267mm)

**Mounting Surfaces**  
Wood studs, concrete and cinder/breeze block  
(Metal stud accessory required)

**Ship Weight**  
20lb (9.1kg)

CERTIFICATIONS



ACCESSORIES



**ACC-UCM:**  
Universal AV Component Mount..... pg# 218



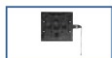
**PLP-UNM:**  
Universal I-Shaped Adaptor for 22" to 50" Displays..... pg# 232



**PLP-UNL:**  
Universal I-Shaped Adaptor for 32" to 90" Displays..... pg# 232



**PLP-V models:**  
Dedicated Adaptor Plates .....pg# 232



**RM12W:**  
Rotational Mount Interface..... pg# 226

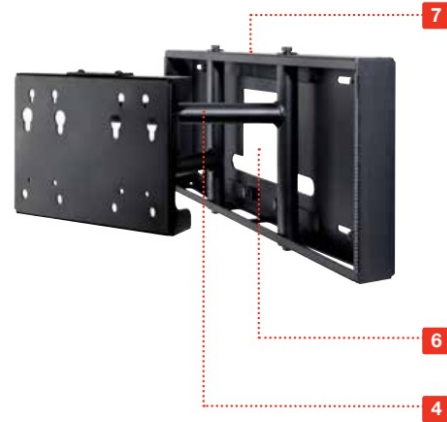


**WSPB16/WSPB20/WSPB24:**  
Metal Stud Wall Plates ..... pg# 233

# Pull-Out Pivot Wall Mount

For 32" to 80" Displays

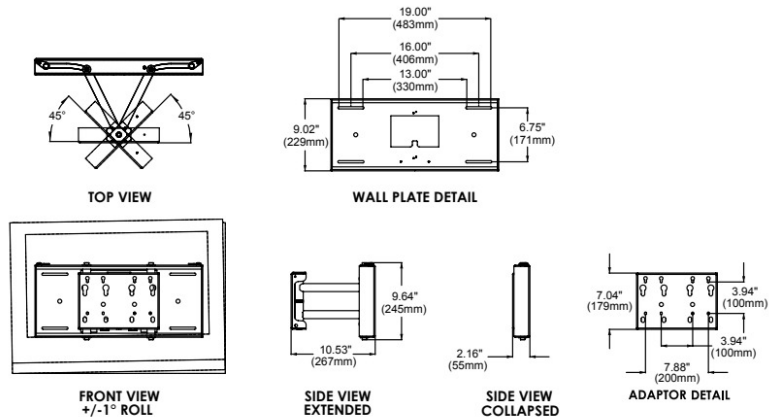
- VESA® 100 x 100 and 200 x 100mm compliant
- Non-VESA adaptor plate also available
- Ideal for wall mount applications and attachment to false backslashes
- Built-in pivot up to 90° (45° each direction) allows for adjustable viewing angles
- Roll can be adjusted 1° clockwise or counterclockwise
- Easy pull-out pivot provides quick maintenance access
- Includes security lock out screw to eliminate pull out ability
- Security screws prevent tampering and theft



Please visit [peerless-av.com/en-us/patents](http://peerless-av.com/en-us/patents) for patent information.

TECHNICAL DRAWINGS

For expanded product information and technical data visit [peerless-av.com](http://peerless-av.com)



To verify mount compatibility with any display or projector model use MountFinder™ at [peerless-av.com](http://peerless-av.com).

# Pull-Out Pivot Wall Mount with Tilt

For 32" to 65" Displays\*

1. Lightweight design well suited for today's TVs and fits into any room décor
2. Can be dual mounted to 16" studs or single stud
3. Built in pivot up to  $\pm 30^\circ$  provides adjustable viewing angles
4. Easy pull-out swivel provides quick maintenance access
5. The I-Shaped Adaptor plate's innovative design helps avoid blocking connections on back of display
6. Display continues to stay centered on the mount when extended or retracted
7. Security screws prevent tampering and theft
8. Flush mountable to in-furniture when used in conjunction with In-furniture bracket accessory, ACC-HPF650
9. InceLok™ Tilt allows the display to be set at  $0^\circ$ ,  $3.3^\circ$ ,  $6.6^\circ$  or  $10^\circ$
10. Adjust the force required to pull the display from the closed position using the adjustable tensioned detent

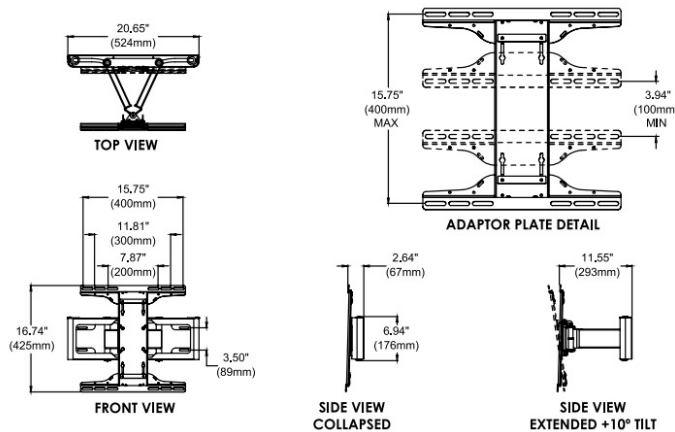


\*This display size range is simply a guideline for product selection. Displays larger than the screen size range may still be compatible as long as they fall within the VESA® pattern and max weight of the Peerless-AV™ product.

Please visit [peerless-av.com/en-us/patents](http://peerless-av.com/en-us/patents) for patent information.

For expanded product information and technical data visit [peerless-av.com](http://peerless-av.com)

## TECHNICAL DRAWINGS



To verify mount compatibility with any display or projector model use MountFinder™ at [peerless-av.com](http://peerless-av.com).

630-375-5100 | 800-865-2112 | [info@peerless-av.com](mailto:info@peerless-av.com) | [peerless-av.com](http://peerless-av.com)

## DISPLAY MOUNTS



### MODELS

#### Universal Models:

Includes theft resistant hardware for attaching display to mount  
**SP840** Black

### DISPLAY ADAPTOR

Mounting Pattern	(W x H)
------------------	---------

Universal Models: 400 x 400mm  
(15.75" x 15.75")



#### VESA® Pattern

Universal Models: 200 x 100 to 400 x 400mm

### SPECIFICATIONS

Distance from Wall
2.64"-11.55" (67-293mm)

Tilt   Swivel   Roll
$0^\circ$ , $3.3^\circ$ , $6.6^\circ$ or $10^\circ$   $\pm 30^\circ$   $\pm 1^\circ$

Max Load
60lb (27kg)

Product Dimensions (W x H x D)
20.65" x 16.74" x 2.64"-11.55" (524 x 425 x 67-293mm)

Mounting Surfaces
Wood stud, concrete and cinder/breeze block

Ship Weight
14.81lb (6.72kg)



Color Packaging

### CERTIFICATIONS



### ACCESSORIES



**ACC-HPF650:**  
In-furniture Bracket ..... pg# 226



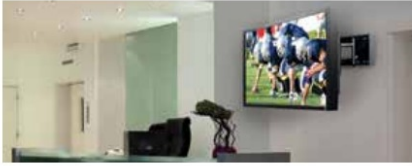
**ACC-UCM:**  
Universal AV Component Mount..... pg# 218



**IBA3AC(-W):**  
Recessed Cable Management and Power Storage Accessory Box... pg# 227



DISPLAY MOUNTS



MODELS

Dedicated Models:

Display adaptor purchased separately for non-VESA® displays\*  
Includes theft resistant hardware for attaching display to mount

- SP850** Black
- SP850-S** Silver
- SP850-V2X2** Black

Includes standard hardware (hex or Phillips) for attaching display to mount

- SP850P** Black
- SP850P-S** Silver

\*Dedicated adaptor plates come in flat black and include security fasteners

DISPLAY ADAPTOR



VESA® Pattern

Dedicated Models:

- SP850(P)-S):** 100 and 200 x 100mm
- SP850-V2X2:** 200 x 200mm

Non-VESA® compliant displays require display-specific adaptor to be purchased separately.

SPECIFICATIONS



Distance from Wall

- SP850(P)-S):** 2.31"-10.68" (59-271mm)
- SP850-V2X2:** 2.73"-11.18" (69-284mm)



Tilt | Swivel | Roll

0°, 5° or 10° | ±45° | ±1°



Max Load

150lb (68kg)

Product Dimensions (W x H x D)

- SP850(P)-S):** 21.00" x 9.76" x 2.31"-10.68"  
(533 x 248 x 59-271mm)
- SP850-V2X2:** 21.00" x 9.76" x 2.73"-11.18"  
(533 x 248 x 69-284mm)

Mounting Surfaces

Wood stud, concrete and cinder/breeze block

Ship Weight

- SP850(P)-S):** 22.7lb (10.24kg)
- SP850-V2X2:** 25lb (11.4kg)

CERTIFICATIONS



ACCESSORIES



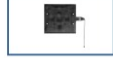
**ACC-UCM:**  
Universal AV  
Component Mount..... pg# 218



**PLP-UNM:**  
Universal I-Shaped Adaptor  
for 22" to 50" Displays ..... pg# 232



**PLP-UNL:**  
Universal I-Shaped Adaptor  
for 32" to 90" Displays ..... pg# 232



**RMI2W:**  
Rotational Mount Interface..... pg# 218

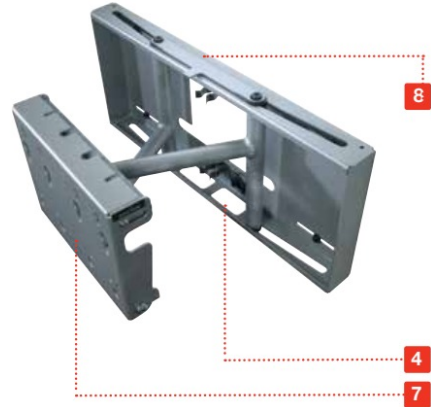


**WSPB16/WSPB20/WSPB24:**  
Metal Stud Wall Plates ..... pg# 233

SMARTMOUNT Pull-Out Pivot Wall Mount  
For 32" to 80" Displays \*

1. Arms extend up to 10.68" (271mm) from wall with SP850 models and 11.18" (284mm) with SP850-V2X2
2. Pull-out pivot with up to 90° rotation
3. Included IncreLok™ feature offers 0°, 5° or 10° lockable tilt when used
4. Built-in cable management
5. ±1° of roll for post installation display leveling
6. Locking tab included for optional pivot restriction to one side
7. Include VESA® 100 and 200 x 100mm compliant adaptor plate with SP850 models and 200 x 200mm adaptor plate with SP850-V2X2
8. Lock Key™ installation tool secures arms for display installation

SP850-S



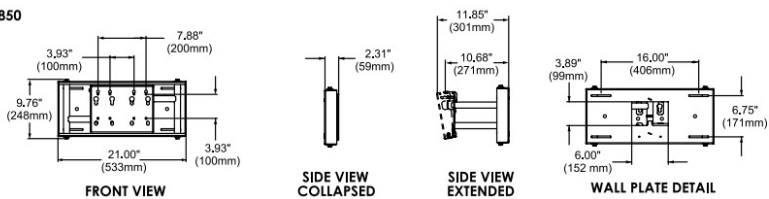
\*This display size range is simply a guideline for product selection. Displays larger than the screen size range may still be compatible as long as they fall within the VESA® pattern and max weight of the Peerless-AV® product.

Please visit [peerless-av.com/en-us/patents](http://peerless-av.com/en-us/patents) for patent information.

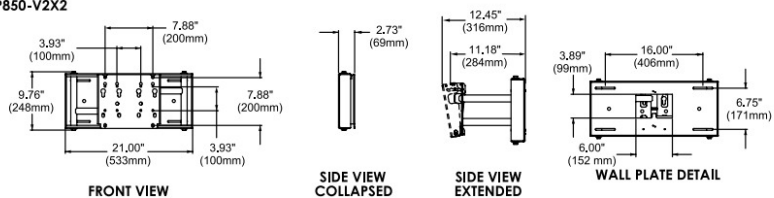
TECHNICAL DRAWINGS

For expanded product information and technical data visit [peerless-av.com](http://peerless-av.com)

SP850



SP850-V2X2

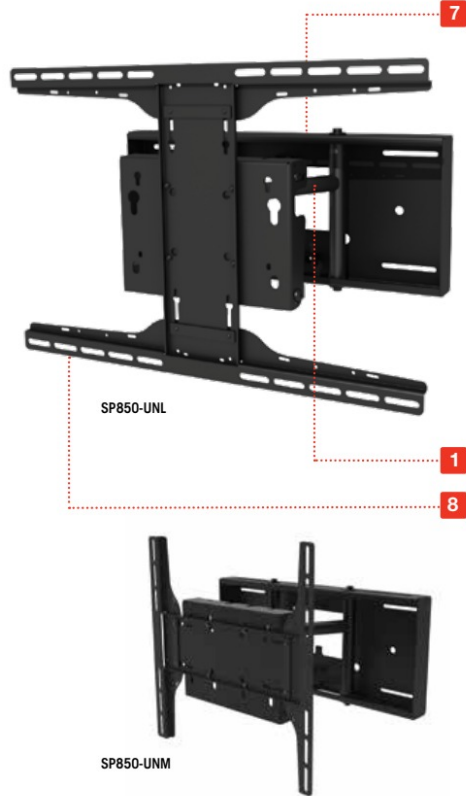


To verify mount compatibility with any display or projector model use MountFinder™ at [peerless-av.com](http://peerless-av.com).

# Pull-Out Pivot Wall Mount

For 32" to 80" Displays\*

- Arms extend up to 11.18" (284mm) from wall
- Pull-out pivot with up to 90° rotation
- Included IncreLok™ feature offers 0°, 5° or 10° lockable tilt when used
- Built-in cable management
- ±1° of roll for post installation display leveling
- Locking tab included for optional pivot restriction to one side
- Lock Key™ installation tool secures arms for display installation
- The I-Shaped Adaptor plate's innovative design helps avoid blocking connections on back of display

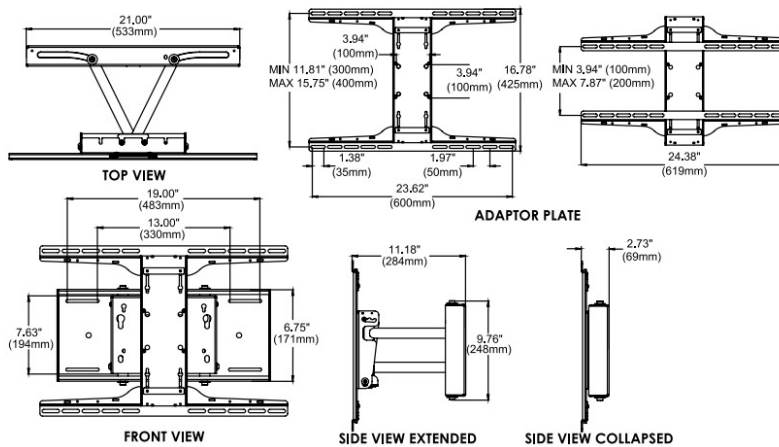


\*This display size range is simply a guideline for product selection. Displays larger than the screen size range may still be compatible as long as they fall within the VESA® pattern and max weight of the Peerless-AV® product.

Please visit [peerless-av.com/en-us/patents](http://peerless-av.com/en-us/patents) for patent information.

For expanded product information and technical data visit [peerless-av.com](http://peerless-av.com)

## TECHNICAL DRAWINGS



To verify mount compatibility with any display or projector model use MountFinder™ at [peerless-av.com](http://peerless-av.com).

## DISPLAY MOUNTS



### MODELS

#### Universal Models:

Includes theft resistant hardware for attaching display to mount

<b>SP850-UNL</b>	32" to 80" Displays	Black
<b>SP850-UNM</b>	49" to 65" Displays	Black

Includes standard hardware (hex or Phillips) for attaching display to mount

<b>SP850-UNLP</b>	32" to 80" Displays	Black
-------------------	---------------------	-------

### DISPLAY ADAPTOR

Mounting Pattern	(W x H)
Universal Models:	
<b>SP850-UNM:</b>	400x 400mm (15.75" x 15.75")
<b>SP850-UNL(P):</b>	600x 400mm (23.62" x 15.75")

### SPECIFICATIONS

<b>Distance from Wall</b>	2.73"-11.18" (69-284mm)
<b>Tilt   Swivel   Roll</b>	0°, 5° or 10°   ±45°   ±1°
<b>Max Load</b>	150lb (68kg)
<b>Product Dimensions (W x H x D)</b>	
<b>SP850-UNM:</b>	21.00" x 16.75" x 2.73"-11.14" (533 x 425 x 69-282mm)
<b>SP850-UNL(P):</b>	24.38" x 16.78" x 2.73"-11.18" (619 x 428 x 69-284mm)
<b>Mounting Surfaces</b>	Wood stud, concrete and cinder/breeze block
<b>Ship Weight</b>	33.9lb (15.4kg)

### CERTIFICATIONS



### ACCESSORIES

	<b>ACC-UCM:</b> Universal AV Component Mount..... pg# 218
	<b>RMI2W:</b> Rotational Mount Interface..... pg# 226

DISPLAY MOUNTS



MODELS

Universal Models:

Includes standard hardware (hex or Phillips) for attaching display to mount  
**SA730P** Semi-gloss black

DISPLAY ADAPTOR



VESA® Pattern

Universal Models:  
75 x 75, 100 x 100mm

SPECIFICATIONS

**Distance from Wall**  
2.77"-16.99" (70-432mm)

**Tilt | Swivel | Roll**  
±35° | ±90° | ±5°

**Max Load**  
25lb (11kg)

**Product Dimensions (W x H x D)**  
10.01" x 8.06" x 2.77"-16.99"  
(254 x 205 x 70-432mm)

**Mounting Surfaces**  
Wood stud, concrete, cinder/  
breeze block and metal stud  
(Metal stud accessory required)

**Ship Weight**  
4.75lb (2.15kg)



Color Packaging

CERTIFICATIONS



ACCESSORIES

**ACC918:**  
Security Fasteners ..... pg# 234

**ACC2X1:**  
VESA® 200 x 100mm  
Adaptor Plate..... pg# 226

**ESHV models:**  
AV Wall Shelves ..... pg# 211

**IBA4-W:**  
Easy Mount Recessed  
Low Voltage Cable Plate..... pg# 227

**IBA5-W:**  
Recessed Low Voltage Media Plate  
with Duplex Surge Suppressor... pg# 227

**WSP700/WSP701:**  
Metal Stud Wall Plates for  
16"/24" Center Metal Studs... pg# 233

SMARTMOUNT Articulating Wall Mount  
For 10" to 29" Displays\*

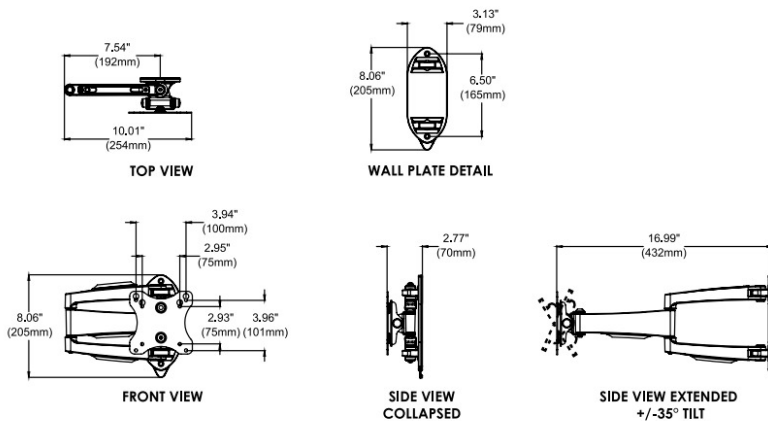
1. Extends display 16.99" (432mm) from the wall
2. Retracts to hold display 2.77" (70mm) from the wall
3. ±90° of pivot allows for perfect display positioning
4. Quick and easy, Hook-and-Hang™ one-person installation
5. Internal cable management provides clean, professional installation finish
6. Easy leveling ±5° after display installation
7. One-Touch™ tilt offers ±35° of viewing angle adjustment
8. Landscape or portrait mounting options increase display versatility
9. Includes all necessary wall mounting and display attachment hardware



\*This display size range is simply a guideline for product selection. Displays larger than the screen size range may still be compatible as long as they fall within the VESA® pattern and max weight of the Peerless-AV® product. Please visit [peerless-av.com/en-us/patents](http://peerless-av.com/en-us/patents) for patent information.

TECHNICAL DRAWINGS

For expanded product information and technical data visit [peerless-av.com](http://peerless-av.com)



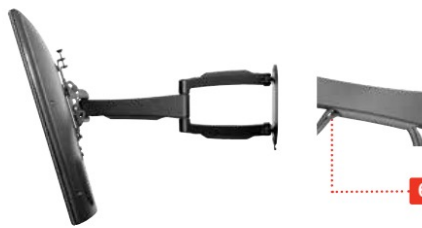
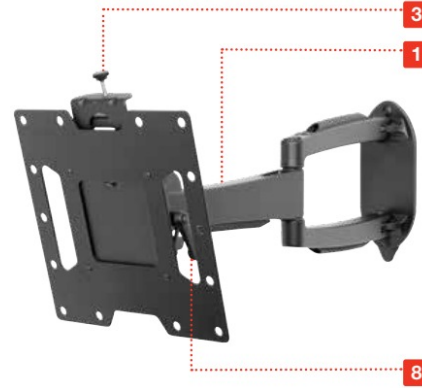
To verify mount compatibility with any display or projector model use MountFinder™ at [peerless-av.com](http://peerless-av.com).



# SMARTMOUNT. Articulating Wall Mount

For 22" to 43" Displays \*

1. Extends display 21.80" (554mm) from the wall
2. Retracts to hold display just 3.03" (77mm) from the wall
3. Up to  $\pm 0.5"$  (13mm) of vertical adjustment for post-installation leveling and height adjustment fine-tuning
4.  $\pm 90^\circ$  of pivot allows for perfect display positioning
5. Quick and easy, Hook-and-Hang™ one-person installation
6. Internal cable management provides clean, professional installation finish
7. Easy leveling  $\pm 5^\circ$  after display installation
8. One-Touch™ tilt offers  $+15^\circ/-5^\circ$  of viewing angle adjustment
9. Landscape or portrait mounting options increase display versatility
10. Includes all necessary wall mounting and display attachment hardware

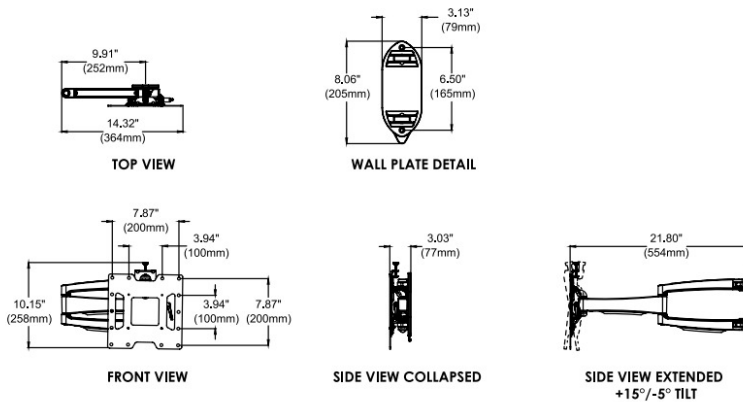


\*This display size range is simply a guideline for product selection. Displays larger than the screen size range may still be compatible as long as they fall within the VESA® pattern and max weight of the Peerless-AV® product.

Please visit [peerless-av.com/en-us/patents](http://peerless-av.com/en-us/patents) for patent information.

For expanded product information and technical data visit [peerless-av.com](http://peerless-av.com)

## TECHNICAL DRAWINGS



To verify mount compatibility with any display or projector model use MountFinder™ at [peerless-av.com](http://peerless-av.com).

630-375-5100 | 800-865-2112 | [info@peerless-av.com](mailto:info@peerless-av.com) | [peerless-av.com](http://peerless-av.com)

## DISPLAY MOUNTS



SMARTMOUNT.  
WALL MOUNTS

### MODELS

#### Universal Models:

Includes standard hardware (hex or Phillips) for attaching display to mount  
**SA740P** Semi-gloss black

### DISPLAY ADAPTOR



#### VESA® Pattern

Universal Models: 100 x 100, 200 x 100 and 200 x 200mm

### SPECIFICATIONS



#### Distance from Wall

3.03"-21.80" (77-554mm)



#### Tilt | Swivel | Roll

$+15^\circ/-5^\circ$  |  $\pm 90^\circ$  |  $\pm 5^\circ$



#### Max Load

80lb (36kg)

#### Product Dimensions

(W x H x D)

14.32" x 10.15" x 3.03"-21.80"  
(364 x 258 x 77-554mm)

#### Mounting Surfaces

Wood stud, concrete, cinder/breeze block and metal stud (Metal stud accessory required)

#### Ship Weight

9.4lb (4.3kg)



Color Packaging

### CERTIFICATIONS



### ACCESSORIES



**ACC4X4:**  
VESA® 400 x 400mm  
Adaptor Plate..... pg# 226



**ACC-UCM:**  
Universal AV  
Component Mount..... pg# 218



**ESHV models:**  
AV Wall Shelves..... pg# 211



**IBA4-W:**  
Easy Mount Recessed  
Low Voltage Cable Plate..... pg# 227



**IBA5-W:**  
Recessed Low Voltage Media Plate  
with Duplex Surge Suppressor... pg# 227



**RMI2W:**  
Rotational Mount Interface..... pg# 226



**WSP700/WSP701:**  
Metal Stud Wall Plates for  
1/4"/24" Center Metal Studs... pg# 233

DISPLAY MOUNTS



MODELS

Universal Models:

Includes standard hardware (hex or Phillips) for attaching display to mount  
**SA746PU** Semi-gloss black

DISPLAY ADAPTOR



Mounting Pattern (W x H)

Universal Models: 400 x 400mm  
 (15.75" x 15.75")



VESA® Pattern

Universal Models: 200 x 100 to 400 x 400mm

SPECIFICATIONS



Distance from Wall

3.46"-22.22" (88-564mm)



Tilt | Swivel | Roll

+15°/-5° | ±90° | ±5°



Max Load

80lb (36kg)

Product Dimensions (W x H x D)

18.11" x 16.75" x 3.46"-22.22"  
 (460 x 425 x 88-564mm)

Mounting Surfaces

Wood stud, concrete, cinder/  
 breeze block and metal stud  
 (Metal stud accessory required)

Ship Weight

13.8lb (6.3kg)



Color Packaging

CERTIFICATIONS



ACCESSORIES



**ACC-UCM:**  
 Universal AV  
 Component Mount..... pg# 218



**ESHV models:**  
 AV Wall Shelves ..... pg# 211



**IBA4-W:**  
 Easy Mount Recessed  
 Low Voltage Cable Plate..... pg# 227



**IBA5-W:**  
 Recessed Low Voltage Media Plate  
 with Duplex Surge Suppressor... pg# 227



**RM12W:**  
 Rotational Mount Interface..... pg# 226

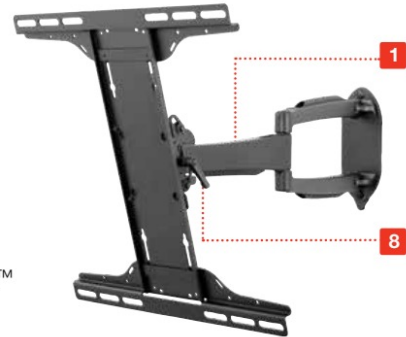


**WSP700/WSP701:**  
 Metal Stud Wall Plates for  
 167/24" Center Metal Studs ... pg# 233

SMARTMOUNT Articulating Wall Mount

For 32" to 50" Displays\*

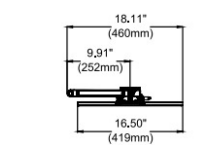
1. Extends display 22.22" (564mm) from the wall
2. Retracts to hold display just 3.46" (88mm) from the wall
3. Up to ±0.5" (13mm) of vertical adjustment for post-installation leveling and height adjustment fine-tuning
4. ±90° of pivot allows for perfect display positioning
5. Quick and easy, Hook-and-Hang™ one-person installation
6. Internal cable management provides clean, professional installation finish
7. Easy leveling ±5° after display installation
8. One-Touch™ tilt offers +15°/-5° of viewing angle adjustment
9. Landscape or portrait mounting options increase display versatility
10. Includes all necessary wall mounting and display attachment hardware
11. The I-Shaped Adaptor plate's innovative design helps avoid blocking connections on back of display



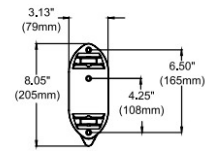
\*This display size range is simply a guideline for product selection. Displays larger than the screen size range may still be compatible as long as they fall within the VESA® pattern and max weight of the Peerless-AV® product. Please visit peerless-av.com/en-us/patents for patent information.

TECHNICAL DRAWINGS

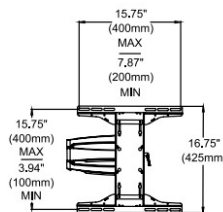
For expanded product information and technical data visit peerless-av.com



TOP VIEW



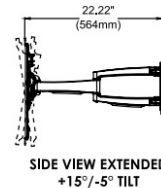
WALL PLATE DETAIL



FRONT VIEW



SIDE VIEW COLLAPSED



SIDE VIEW EXTENDED +15°/-5° TILT

To verify mount compatibility with any display or projector model use MountFinder™ at peerless-av.com.



630-375-5100 | 800-865-2112



info@peerless-av.com

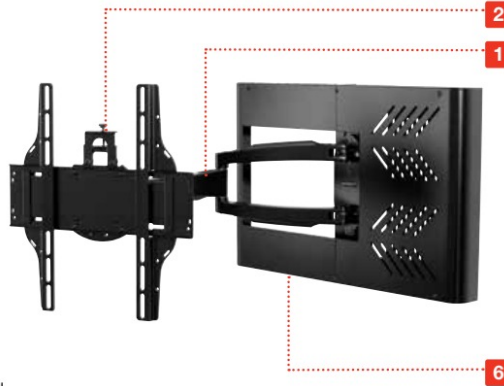


peerless-av.com

# Hospitality Wall Arm Mount with STB Enclosure

For 43" to 55" Displays\*

1. Extends display 22.22" (564mm) from the wall
2. Up to  $\pm 0.5"$  (13mm) of vertical adjustment for post-installation leveling and height adjustment
3.  $\pm 90^\circ$  of pivot allows for perfect display positioning
4. Installs on single and dual metal studs, wood or concrete
5. Unique cable management system
6. Interchangeable vented cover pieces permit media box to be housed to the left or right of wall arm
7. Compatible to many 43" - 55" TVs, up to 400 x 400mm pattern\*
8. Fits various media players up to 13.5"W x 7.5" L x 1.6" D
9. Open wall plate design for access to wall or junction box with 5" of lateral adjustment
10. Front fastening covers for recessed areas

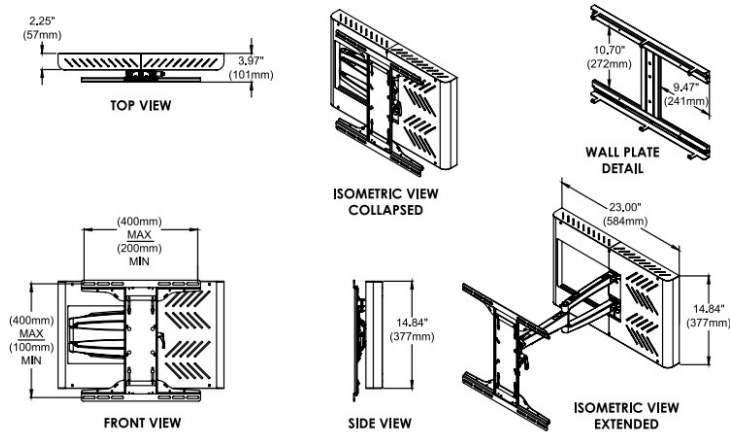


\*This display size range is simply a guideline for product selection. Displays larger than the screen size range may still be compatible as long as they fall within the VESA® pattern and max weight of the Peerless-AV® product.

Please visit [peerless-av.com/en-us/patents](http://peerless-av.com/en-us/patents) for patent information.

For expanded product information and technical data visit [peerless-av.com](http://peerless-av.com)

## TECHNICAL DRAWINGS



To verify mount compatibility with any display or projector model use MountFinder™ at [peerless-av.com](http://peerless-av.com).

630-375-5100 | 800-865-2112

info@peerless-av.com

[peerless-av.com](http://peerless-av.com)

## DISPLAY MOUNTS



SMARTMOUNT  
WALL MOUNTS

## MODELS

### Universal Models:

Includes theft resistant hardware for attaching display to mount

**HA746-STB** Semi-gloss black

## DISPLAY ADAPTOR



### Mounting Pattern (W x H)

Universal Models: 400 x 400mm  
(15.75" x 15.75")



### VESA® Pattern

Universal Models: 200 x 100 to 400 x 400mm

## SPECIFICATIONS



### Distance from Wall

3.97"-22.22" (100-564mm)



### Tilt | Swivel | Roll

+15°/-5° |  $\pm 90^\circ$  |  $\pm 5^\circ$



### Max Load

80lb (36kg)

### Product Dimensions (W x H x D)

23.00" x 16.75" x 3.97"  
(584 x 425 x 101mm)

### Mounting Surfaces

Wood stud, concrete, cinder/  
breeze block and metal stud

### Ship Weight

25lb (11.3kg)

## CERTIFICATIONS





DISPLAY MOUNTS



MODELS

Universal Models:

Includes standard hardware (hex or Phillips) for attaching display to mount

**SA752PU** Semi-gloss black

DISPLAY ADAPTOR

Mounting Pattern	(W x H)
Universal Models:	600 x 400mm (23.62" x 15.75")

VESA® Pattern

Universal Models: 200 x 100 to 600 x 400mm

SPECIFICATIONS

Distance from Wall	2.97"-26.47" (75-672mm)
--------------------	-------------------------

Tilt   Swivel   Roll	+15/-5°   ±90°   ±5°
----------------------	----------------------

Max Load	90lb (41kg)
----------	-------------

Landscape to Portrait	Display can be rotated landscape to portrait without removing the display
-----------------------	---

Product Dimensions (W x H x D)	24.50" x 17.46" x 2.97"-26.47" (622 x 444 x 75-672mm)
--------------------------------	--

Mounting Surfaces

Wood stud, concrete, cinder/breeze block and metal stud (Metal stud accessory required)

Ship Weight

22.7lb (10.3kg)



Color Packaging

CERTIFICATIONS



ACCESSORIES

**ACC-UCM:** Universal AV Component Mount..... pg# 218

**ACC-WMVCs:** Video Conferencing Shelf ..... pg# 217

**ACCXT400:** Recessed Power Outlet with Low Voltage In-Wall Cable Routing... pg# 226

**IBA4-W:** Easy Mount Recessed Low Voltage Cable Plate..... pg# 227

**IBA5-W:** Recessed Low Voltage Media Plate with Duplex Surge Suppressor... pg# 227

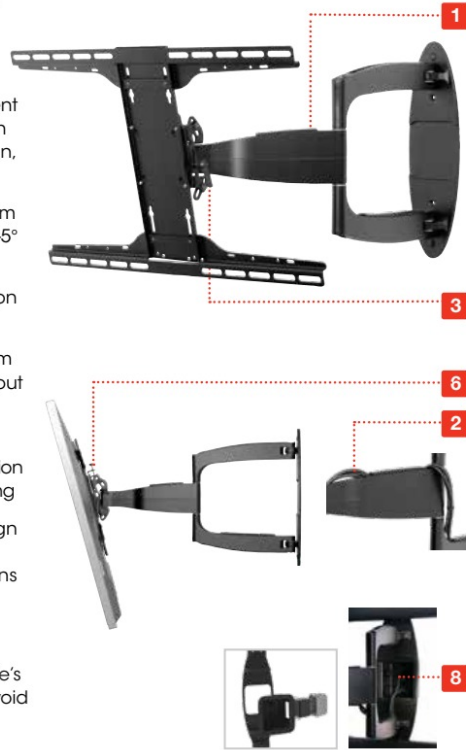
**RM12W:** Rotational Mount Interface..... pg# 226

**WSP756:** Metal Stud Wall Plate..... pg# 233

SMARTMOUNT Articulating Wall Arm

For 37" to 55" Displays\*

1. Low-profile when retracted at 2.97" (75mm) and can extend up to 26.47" (672mm) from the wall
2. Internal cable management provides ample area to run cables to complete a clean, professional installation
3. One-Touch™ tilt mechanism allows adjustment of +15/-5° without the use of tools
4. ±5° of roll for post-installation leveling
5. Display can be rotated from landscape to portrait without removing the display
6. ±0.5" (13mm) of vertical adjustment for post-installation height adjustment fine-tuning
7. Single stud wall plate design increases electrical and cable management options
8. Removable cover for wall plate knockout included
9. The I-Shaped Adaptor plate's innovative design helps avoid blocking connections on back of display



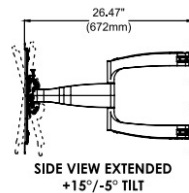
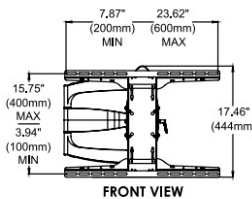
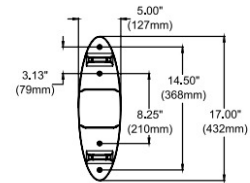
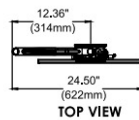
Optional Accessory ACCXT400

\*This display size range is simply a guideline for product selection. Displays larger than the screen size range may still be compatible as long as they fall within the VESA® pattern and max weight of the Peerless-AV® product.

Please visit [peerless-av.com/en-us/patents](http://peerless-av.com/en-us/patents) for patent information.

TECHNICAL DRAWINGS

For expanded product information and technical data visit [peerless-av.com](http://peerless-av.com)



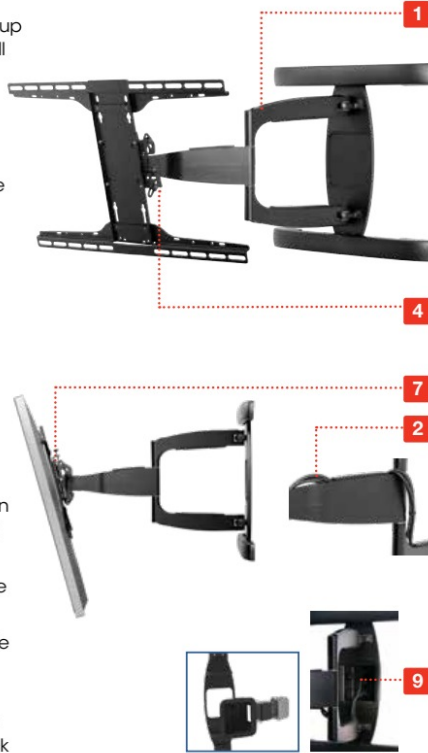
To verify mount compatibility with any display or projector model use MountFinder™ at [peerless-av.com](http://peerless-av.com).

630-375-5100 | 800-865-2112 | [info@peerless-av.com](mailto:info@peerless-av.com) | [peerless-av.com](http://peerless-av.com)

# SMARTMOUNT. Articulating Wall Arm

For 39" to 75" Displays\*

1. Low-profile when retracted at 3.10" (79mm) and can extend up to 26.60" (676mm) from the wall
2. Internal cable management provides ample area to run cables to complete a clean, professional installation
3. Stylish wall plate covers create a finished look and are easy to install and remove
4. One-Touch™ tilt mechanism allows adjustment of +15/-5° without the use of tools
5. ±5° of roll for post-installation leveling
6. Display can be rotated from landscape to portrait without removing the display
7. ±0.5" (13mm) of vertical adjustment for post-installation height adjustment fine-tuning
8. Open wall plate design increases electrical and cable management options
9. Removable cover for wall plate knockout included
10. The I-Shaped Adaptor plate's innovative design helps avoid blocking connections on back of display



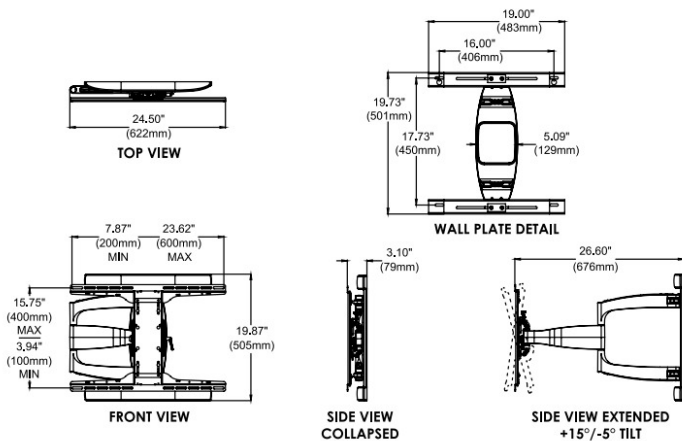
Optional Accessory ACCXT400

\*This display size range is simply a guideline for product selection. Displays larger than the screen size range may still be compatible as long as they fall within the VESA® pattern and max weight of the Peerless-AV™ product.

Please visit [peerless-av.com/en-us/patents](http://peerless-av.com/en-us/patents) for patent information.

For expanded product information and technical data visit [peerless-av.com](http://peerless-av.com)

## TECHNICAL DRAWINGS



To verify mount compatibility with any display or projector model use MountFinder™ at [peerless-av.com](http://peerless-av.com).

630-375-5100 | 800-865-2112 | [info@peerless-av.com](mailto:info@peerless-av.com) | [peerless-av.com](http://peerless-av.com)

## DISPLAY MOUNTS



SMARTMOUNT.  
WALL MOUNTS

### MODELS

#### Universal Models:

Includes standard hardware (hex or Phillips) for attaching display to mount  
**SA761PU** Semi-gloss black

### DISPLAY ADAPTOR



#### Mounting Pattern (W x H)

Universal Models: 600 x 400mm  
(23.62" x 15.75")



#### VESA® Pattern

Universal Models: 200 x 100 to 600 x 400mm

### SPECIFICATIONS



#### Distance from Wall

3.10"-26.60" (79-676mm)



#### Tilt | Swivel | Roll

+15/-5° | ±90° | ±5°



#### Max Load

125lb (57kg)



#### Landscape to Portrait

Display can be rotated landscape to portrait without removing the display

#### Product Dimensions (W x H x D)

24.50" x 19.87" x 3.10"-26.60"  
(622 x 505 x 79-676mm)

#### Mounting Surfaces

Wood stud, concrete, cinder/breeze block and metal stud  
(Metal stud accessory required)

#### Ship Weight

33.61lb (15.2kg)



Color Packaging

### CERTIFICATIONS



### ACCESSORIES



**ACC-UCM:**  
Universal AV  
Component Mount..... pg# 218



**ACC-WMVCs:**  
Video Conferencing Shelf ..... pg# 217



**ACCXT400:**  
Recessed Power Outlet with Low  
Voltage In-Wall Cable Routing... pg# 226



**IBA4-W:**  
Easy Mount Recessed  
Low Voltage Cable Plate..... pg# 227



**IBA5-W:**  
Recessed Low Voltage Media Plate  
with Duplex Surge Suppressor... pg# 227



**RMI2W:**  
Rotational Mount Interface..... pg# 226



**WSP756:**  
Metal Stud Wall Plate..... pg# 233

DISPLAY MOUNTS



MODELS

Universal Models:

Includes standard hardware (hex or Phillips) for attaching display to mount

**SA771PU** Semi-gloss black

DISPLAY ADAPTOR

Mounting Pattern	(W x H)
Universal Models:	800 x 400mm (31.50" x 15.75")
VESA® Pattern	
Universal Models:	200 x 100 to 800 x 400mm

SPECIFICATIONS

Distance from Wall	3.10"-26.60" (79-676mm)
Tilt   Swivel   Roll	+15/-5°   ±90°   ±5°
Max Load	150lb (68kg)
Landscape to Portrait	Display can be rotated landscape to portrait without removing the display
Product Dimensions (W x H x D)	32.25" x 19.87" x 3.10"-26.60" (819 x 505 x 79-676mm)
Mounting Surfaces	Wood stud, concrete, cinder block and metal stud (Metal stud accessory required)
Ship Weight	42.0lb (19.1kg)



Color Packaging

CERTIFICATIONS



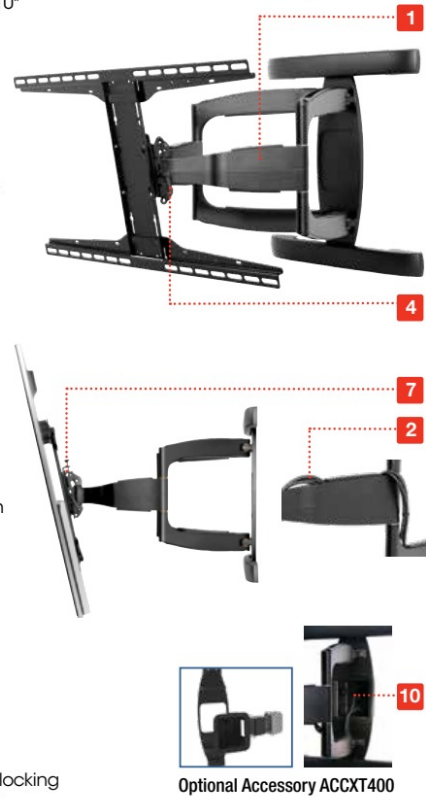
ACCESSORIES

-  **ACC-UCM:**  
Universal AV Component Mount..... pg# 218
-  **ACC-WMVC:**  
Video Conferencing Shelf ..... pg# 217
-  **ACCXT400:**  
Recessed Power Outlet with Low Voltage In-Wall Cable Routing... pg# 226
-  **IBA4-W:**  
Easy Mount Recessed Low Voltage Cable Plate..... pg# 227
-  **IBA5-W:**  
Recessed Low Voltage Media Plate with Duplex Surge Suppressor... pg# 227
-  **RM12W:**  
Rotational Mount Interface..... pg# 226
-  **WSP756:**  
Metal Stud Wall Plate..... pg# 233

SMARTMOUNT Articulating Wall Arm

For 46" to 90" Displays\*

1. Low-profile when retracted at 3.10" (79mm) and can extend up to 26.60" (676mm) from the wall
2. Internal cable management provides ample area to run cables to complete a clean, professional installation
3. Stylish wall plate covers create a finished look and are easy to install and remove
4. One-Touch™ tilt mechanism allows adjustment of +15/-5° without the use of tools
5. ±5° of roll for post-installation leveling
6. Display can be rotated from landscape to portrait without removing the display
7. ±0.5" (13mm) of vertical adjustment for post-installation height adjustment fine-tuning
8. Dual arms for a more robust installation
9. Open wall plate design increases electrical and cable management options
10. Removable cover for wall plate knockout included
11. The I-Shaped Adaptor plate's innovative design helps avoid blocking connections on back of display



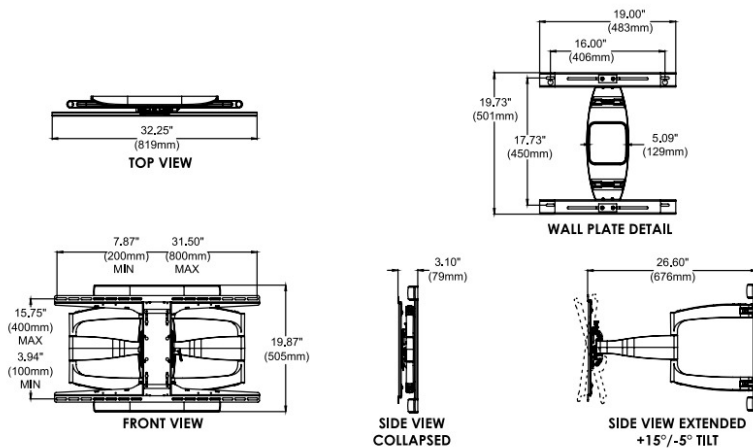
Optional Accessory ACCXT400

\*This display size range is simply a guideline for product selection. Displays larger than the screen size range may still be compatible as long as they fall within the VESA® pattern and max weight of the Peerless-AV® product.

Please visit [peerless-av.com/en-us/patents](http://peerless-av.com/en-us/patents) for patent information.

TECHNICAL DRAWINGS

For expanded product information and technical data visit [peerless-av.com](http://peerless-av.com)



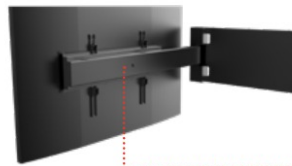
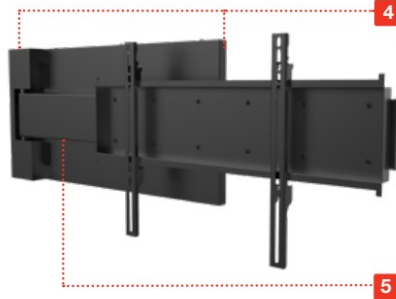
To verify mount compatibility with any display or projector model use MountFinder™ at [peerless-av.com](http://peerless-av.com).



# Universal Swing-Out Wall Mount

For 55" to 75" Displays

1. Universal mount fits displays in the 55" to 75" range with mounting patterns up to 400 x 412mm (15.75"W x 16.22"H) and accommodates 200 x 100 up to 400 x 400mm VESA® patterns\*
2. Designed to swing open to the left or right for adaptable room placement
3. Up to 90 degrees of swing out provides multiple viewing angles and quick maintenance access
4. Wall plate and hinge covers creates an aesthetically appealing look
5. Integrated cable management protects, contains and conceals cables for a clean, professional installation
6. Easily installs on 16", 20" or 24" spaced metal/wood studs and concrete
7. Pairs perfectly with the LG STB-5500 with the optional ACC166 Set Top Box Holder Accessory

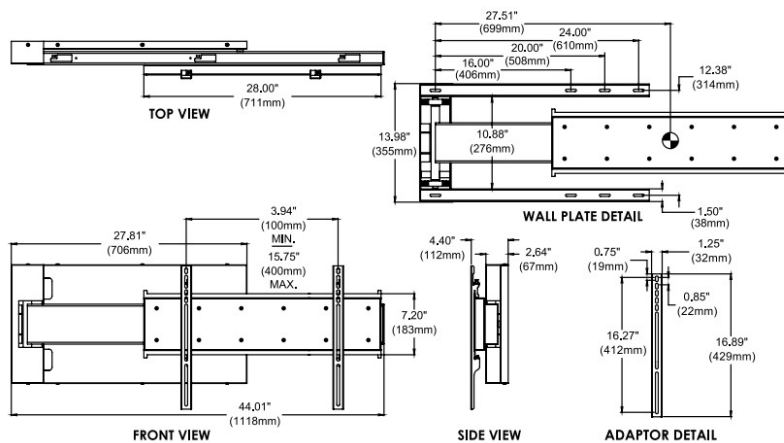


\*Some displays with 600 x 400mm VESA® may work with this mount. To see if a display model will work, please consult with Peerless-AV Customer Care at 1-800-865-2112 about your specific display model.

Please visit [peerless-av.com/en-us/patents](http://peerless-av.com/en-us/patents) for patent information.

For expanded product information and technical data visit [peerless-av.com](http://peerless-av.com)

## TECHNICAL DRAWINGS



To verify mount compatibility with any display or projector model use MountFinder™ at [peerless-av.com](http://peerless-av.com).

630-375-5100 | 800-865-2112 | [info@peerless-av.com](mailto:info@peerless-av.com) | [peerless-av.com](http://peerless-av.com)

## DISPLAY MOUNTS



### MODELS

#### Universal Models:

Includes theft resistant hardware for attaching display to mount  
**HPF665** Black

### DISPLAY ADAPTOR



#### Mounting Pattern (W x H)

Universal Models: 400 x 412mm  
(15.75" x 16.22")



#### VESA® Pattern\*

Universal Models: 200 x 100 up to 400 x 400mm

### SPECIFICATIONS



#### Distance from Wall

4.40" (112mm)



#### Swivel

90°



#### Max Load

60lb (27kg)

#### Product Dimensions (W x H x D)

44.01" x 13.98" x 4.40"  
(1118 x 355 x 112mm)

#### Mounting Surfaces

Wood stud, concrete, cinder block and metal stud

#### Ship Weight

42.8lb (19.4kg)

### CERTIFICATIONS

**RoHS**

### ACCESSORIES



#### ACC166:

Set Top Box Holder for LG STB-5500

Contact Peerless-AV Customer Care for more information.

DISPLAY MOUNTS



MODELS

Universal Models:

Includes standard hardware (hex or Phillips) for attaching display to mount  
**PF630** Gloss black

DISPLAY ADAPTOR



VESA® Pattern

Universal Models: 75 and 100mm

SPECIFICATIONS



Distance from Wall

0.64" (16mm)



Max Load

50lb (23kg)

Product Dimensions (W x H x D)

5.65" x 5.07" x 0.64"  
 (144 x 129 x 16mm)

Mounting Surfaces

Wood stud, concrete, cinder/  
 breeze block and metal stud  
 (Metal stud accessory required)

Ship Weight

1.75lb (0.80kg)



Color Packaging

CERTIFICATIONS



ACCESSORIES



**ACC215:**  
 2-pack Metal Stud  
 Fastener Kit ..... pg# 234



**ACC2X1:**  
 VESA® 200 x 100mm  
 Adaptor Plate..... pg# 226



**ESHV models:**  
 AV Wall Shelves ..... pg# 211



**IBA4-W:**  
 Easy Mount Recessed  
 Low Voltage Cable Plate ..... pg# 227



**IBA5-W:**  
 Recessed Low Voltage  
 Media Plate with Duplex  
 Surge Suppressor ..... pg# 227

PARAMOUNT™ Flat Wall Mount  
 For 10" to 29" Displays\*

1. VESA® 75 and 100mm compliant
2. Low-profile design holds display 0.64" (16mm) away from the wall
3. Display adaptor plate simply hooks onto wall plate for quick and easy installation

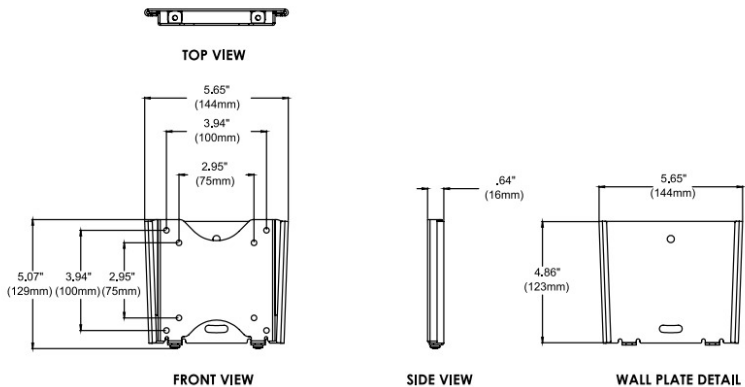


\*This display size range is simply a guideline for product selection. Displays larger than the screen size range may still be compatible as long as they fall within the VESA® pattern and max weight of the Peerless-AV® product.

Please visit [peerless-av.com/en-us/patents](http://peerless-av.com/en-us/patents) for patent information.

TECHNICAL DRAWINGS

For expanded product information and technical data visit [peerless-av.com](http://peerless-av.com)



To verify mount compatibility with any display or projector model use MountFinder™ at [peerless-av.com](http://peerless-av.com).

# PARAMOUNT™ Flat Wall Mount

For 22" to 43" Displays\*

1. VESA® 100, 200 x 100 and 200 x 200mm compliant
2. Low-profile design holds display 0.64" (16mm) away from the wall
3. Display adaptor plate simply hooks onto wall plate for quick and easy installation
4. Compatible with displays that use M8 screws

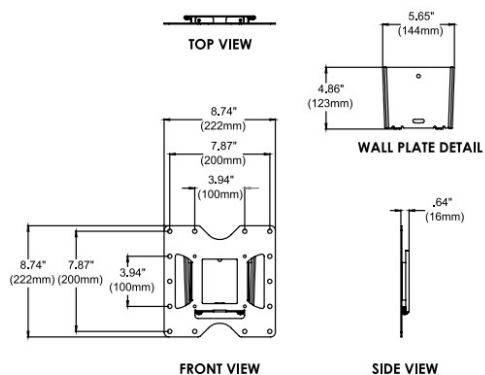


\*This display size range is simply a guideline for product selection. Displays larger than the screen size range may still be compatible as long as they fall within the VESA® pattern and max weight of the Peerless-AV® product.

Please visit [peerless-av.com/en-us/patents](http://peerless-av.com/en-us/patents) for patent information.

For expanded product information and technical data visit [peerless-av.com](http://peerless-av.com)

## TECHNICAL DRAWINGS



To verify mount compatibility with any display or projector model use MountFinder™ at [peerless-av.com](http://peerless-av.com).

630-375-5100 | 800-865-2112 | [info@peerless-av.com](mailto:info@peerless-av.com) | [peerless-av.com](http://peerless-av.com)

## DISPLAY MOUNTS



### MODELS

#### Universal Models:

Includes standard hardware (hex or Phillips) for attaching display to mount  
**PF632** Gloss black

### DISPLAY ADAPTOR



#### VESA® Pattern

Universal Models: 100, 200 x 100 and 200 x 200mm

### SPECIFICATIONS

Distance from Wall	0.64" (16mm)
--------------------	--------------

Max Load	80lb (36kg)
----------	-------------

Product Dimensions (W x H x D)	8.74" x 8.74" x 0.64" (222 x 222 x 16mm)
--------------------------------	--

Mounting Surfaces	Wood stud, concrete, cinder/breeze block and metal stud (Metal stud accessory required)
-------------------	---

Ship Weight	2.85lb (1.29kg)
-------------	-----------------



Color Packaging

### CERTIFICATIONS



### ACCESSORIES

- ACC215:** 2-pack Metal Stud Fastener Kit ..... pg# 234
- ACC4X4:** VESA® 400 x 400mm Adaptor Plate..... pg# 226
- ACC-UCM:** Universal AV Component Mount..... pg# 218
- ESHV models:** AV Wall Shelves ..... pg# 211
- IBA4-W:** Easy Mount Recessed Low Voltage Cable Plate ..... pg# 227
- IBA5-W:** Recessed Low Voltage Media Plate with Duplex Surge Suppressor ..... pg# 227



## DISPLAY MOUNTS



### MODELS

#### Universal Models:

Includes standard hardware (hex or Phillips) for attaching display to mount  
**PF640** Gloss black

### DISPLAY ADAPTOR

#### Mounting Pattern

Universal Models: 450 x 305mm  
 (17.72"W x 12.01"H)

Many 42" flat panel displays have mounting hole patterns larger than dimensions above. Use MountFinder™ to verify mount compatibility.



#### VESA® Pattern

Universal Models: Up to 400 x 300mm

### SPECIFICATIONS



#### Distance from Wall

1.26" (32mm)



#### Max Load

100lb (45kg)

#### Product Dimensions (W x H x D)

19.37" x 12.81" x 1.26"  
 (492 x 325 x 32mm)

#### Mounting Surfaces

Wood stud, concrete, cinder/breeze block and metal stud (Metal stud accessory required)

#### Ship Weight

5.20lb (2.36kg)



Color Packaging

### CERTIFICATIONS



### ACCESSORIES



**ACC415:**  
 4-pack Metal Stud Fastener Kit ..... pg# 234



**ACC309:**  
 Video Conference Shelf ..... pg# 215



**ACC-UCM:**  
 Universal AV Component Mount..... pg# 218



**ESHV models:**  
 AV Wall Shelves ..... pg# 211

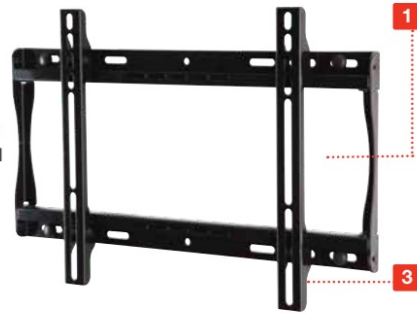


**IBA4-W:**  
 Easy Mount Recessed Low Voltage Cable Plate ..... pg# 227

# PARAMOUNT™ Universal Flat Wall Mount

For 32" to 46" Displays\*

1. Open wall plate design allows for total wall access, increasing electrical and cable management options
2. Low-profile design holds display only 1.26" (32mm) from the wall
3. Easy-Glide™ design ensures display is securely attached to wall plate
4. Horizontal display adjustment up to 6.00" (152mm) for centering display on wall
5. Universal display adaptors easily hook onto wall plate for fast installation
6. Landscape to portrait mounting options increase installation versatility. Please check your display dimensions against the wall plate when used in portrait mode\*\*



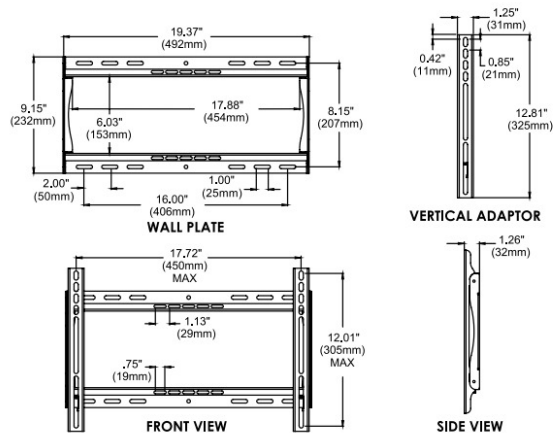
\*This display size range is simply a guideline for product selection. Displays larger than the screen size range may still be compatible as long as they fall within the VESA® pattern and max weight of the Peerless-AV® product.

\*\* Requires display to be removed and reset on mount

Please visit [peerless-av.com/en-us/patents](http://peerless-av.com/en-us/patents) for patent information.

### TECHNICAL DRAWINGS

For expanded product information and technical data visit [peerless-av.com](http://peerless-av.com)



To verify mount compatibility with any display or projector model use MountFinder™ at [peerless-av.com](http://peerless-av.com).



630-375-5100 | 800-865-2112



[info@peerless-av.com](mailto:info@peerless-av.com)

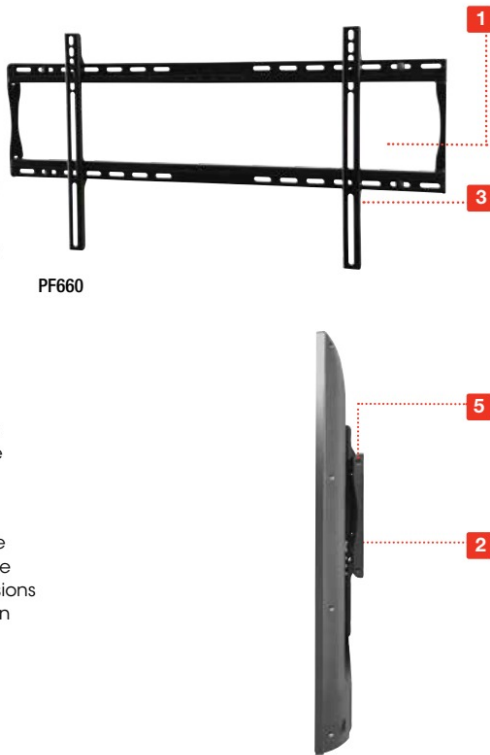


[peerless-av.com](http://peerless-av.com)

# PARAMOUNT™ Universal Flat Wall Mount

## For 39" to 90" Displays\*

1. Open wall plate design allows for total wall access, increasing electrical and cable management options
2. Low-profile design holds display only 1.26" (32mm)
3. Easy-Glide™ design ensures display is securely attached to wall plate
4. Horizontal display adjustment up to 8.00" (203mm) for centering display on wall
5. Universal display adaptors easily hook onto wall plate for fast installation
6. Landscape to portrait mounting options increase installation versatility. Please check your display dimensions against the wall plate when used in portrait mode\*\*



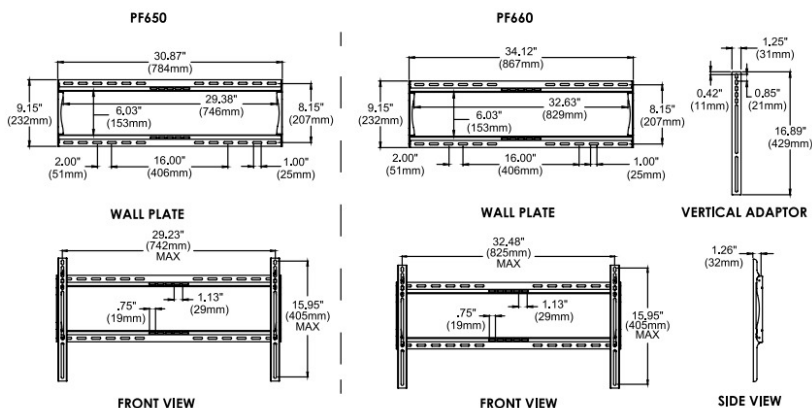
\*This display size range is simply a guideline for product selection. Displays larger than the screen size range may still be compatible as long as they fall within the VESA® pattern and max weight of the Peerless-AV® product.

\*\* Requires display to be removed and reset on mount

Please visit [peerless-av.com/en-us/patents](http://peerless-av.com/en-us/patents) for patent information.

For expanded product information and technical data visit [peerless-av.com](http://peerless-av.com)

### TECHNICAL DRAWINGS



To verify mount compatibility with any display or projector model use MountFinder™ at [peerless-av.com](http://peerless-av.com).

630-375-5100 | 800-865-2112 | [info@peerless-av.com](mailto:info@peerless-av.com) | [peerless-av.com](http://peerless-av.com)

### DISPLAY MOUNTS



#### MODELS

##### Universal Models:

Includes standard hardware (hex or Phillips) for attaching display to mount

<b>PF650</b>	39" to 75" Displays	Gloss black
<b>PF660</b>	39" to 90" Displays	Gloss black

#### DISPLAY ADAPTOR



##### Mounting Pattern (W x H)

##### Universal Models:

<b>PF650:</b>	742 x 405mm (29.23" x 15.95")
<b>PF660:</b>	825 x 405mm (32.48" x 15.95")



##### VESA® Pattern

##### Universal Models:

<b>PF650:</b>	Up to 600 x 400mm
<b>PF660:</b>	Up to 800 x 400mm

#### SPECIFICATIONS



##### Distance from Wall

1.26" (32mm)



##### Max Load

<b>PF650:</b>	150lb (68kg)
<b>PF660:</b>	200lb (91kg)

##### Product Dimensions (W x H x D)

<b>PF650:</b>	30.87" x 16.89" x 1.26" (784 x 429 x 32mm)
<b>PF660:</b>	34.12" x 16.89" x 1.26" (867 x 429 x 32mm)

##### Mounting Surfaces

Wood stud, concrete, cinder/breeze block and metal stud (Metal stud accessory required)

##### Ship Weight



<b>PF650:</b>	7.15lb (3.24kg)
<b>PF660:</b>	7.60lb (3.45kg)

Color Packaging

#### CERTIFICATIONS



#### ACCESSORIES



**ACC415:**  
4-pack Metal Stud  
Fastener Kit ..... pg# 234



**ACC309:**  
Video Conference Shelf ..... pg# 215



**ACC-UCM:**  
Universal AV  
Component Mount..... pg# 218



**ESHV models:**  
AV Wall Shelves ..... pg# 211



**IBA4-W:**  
Easy Mount Recessed  
Low Voltage Cable Plate..... pg# 227

DISPLAY MOUNTS



MODELS

Universal Models:

Includes standard hardware (hex or Phillips) for attaching display to mount  
**PT630** Gloss black

DISPLAY ADAPTOR



VESA® Pattern

Universal Models: 75 and 100mm

SPECIFICATIONS



Distance from Wall

2.01"-2.98" (51-76mm)



Tilt

+15/-5°



Max Load

50lb (23kg)

Product Dimensions (W x H x D)

5.43" x 4.50" x 2.01"-2.98"  
 (138 x 114 x 51-76mm)

Mounting Surfaces

Wood stud, concrete, cinder/  
 breeze block and metal stud  
 (Metal stud accessory required)

Ship Weight

1.45lb (0.66kg)



Color Packaging

CERTIFICATIONS



ACCESSORIES



**ACC215:**  
 2-pack Metal Stud  
 Fastener Kit ..... pg# 234



**ACC2X1:**  
 VESA® 200 x 100mm  
 Adaptor Plate..... pg# 226



**ESHV models:**  
 AV Wall Shelves ..... pg# 211



**IBA4-W:**  
 Easy Mount Recessed  
 Low Voltage Cable Plate ..... pg# 227



**IBA5-W:**  
 Recessed Low Voltage  
 Media Plate with Duplex  
 Surge Suppressor ..... pg# 227

PARAMOUNT™ Tilt Wall Mount  
 For 10" to 29" Displays\*

1. VESA® 75 and 100mm compliant
2. Up to +15/-5° of tilt without the use of tools
3. Easy-Grip™ ratcheting handle locks tilt angle into place
4. Display adaptor plate simply hooks onto wall plate for quick and easy installation

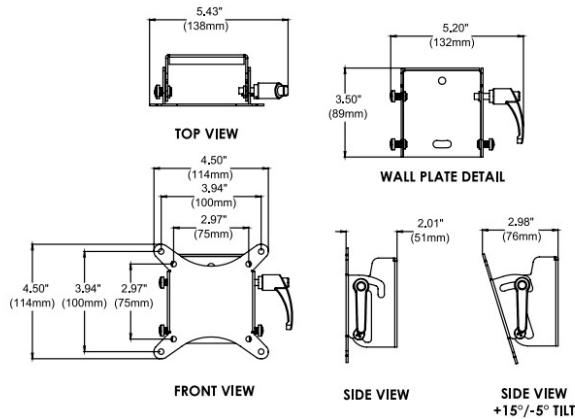


\*This display size range is simply a guideline for product selection. Displays larger than the screen size range may still be compatible as long as they fall within the VESA® pattern and max weight of the Peerless-AV® product.

Please visit [peerless-av.com/en-us/patents](http://peerless-av.com/en-us/patents) for patent information.

TECHNICAL DRAWINGS

For expanded product information and technical data visit [peerless-av.com](http://peerless-av.com)



To verify mount compatibility with any display or projector model use MountFinder™ at [peerless-av.com](http://peerless-av.com).



# PARAMOUNT™ Tilt Wall Mount

For 22" to 43" Displays\*

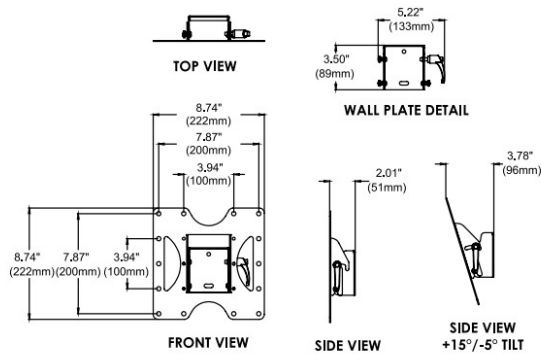
1. VESA® 100, 200 x 100 and 200 x 200mm compliant
2. Up to +15/-5° of tilt without the use of tools
3. Easy-Grip™ ratcheting handle locks tilt angle into place
4. Display adaptor plate simply hooks onto wall plate for quick and easy installation
5. Compatible with flat panels that use M8 screws



\*This display size range is simply a guideline for product selection. Displays larger than the screen size range may still be compatible as long as they fall within the VESA® pattern and max weight of the Peerless-AV® product. Please visit [peerless-av.com/en-us/patents](http://peerless-av.com/en-us/patents) for patent information.

For expanded product information and technical data visit [peerless-av.com](http://peerless-av.com)

## TECHNICAL DRAWINGS



To verify mount compatibility with any display or projector model use MountFinder™ at [peerless-av.com](http://peerless-av.com).

630-375-5100 | 800-865-2112 | [info@peerless-av.com](mailto:info@peerless-av.com) | [peerless-av.com](http://peerless-av.com)

## DISPLAY MOUNTS



### MODELS

#### Universal Models:

Includes standard hardware (hex or Phillips) for attaching display to mount  
**PT632** Glass black

### DISPLAY ADAPTOR



#### VESA® Pattern

Universal Models: 100, 200 x 100 and 200 x 200mm

### SPECIFICATIONS

**Distance from Wall**  
2.01"-3.78" (51-96mm)

**Tilt**  
+15/-5°

**Max Load**  
80lb (36kg)

**Product Dimensions (W x H x D)**  
8.74" x 8.74" x 2.01"-3.78"  
(222 x 222 x 51-96mm)

**Mounting Surfaces**  
Wood stud, concrete, cinder/breeze block and metal stud (Metal stud accessory required)

**Ship Weight**  
3.00lb (1.36kg)



Color Packaging

### CERTIFICATIONS



### ACCESSORIES

- ACC215:** 2-pack Metal Stud Fastener Kit ..... pg# 234
- ACC4X4:** VESA® 400 x 400mm Adaptor Plate..... pg# 226
- ACC-UCM:** Universal AV Component Mount..... pg# 218
- ESHV models:** AV Wall Shelves..... pg# 211
- IBA4-W:** Easy Mount Recessed Low Voltage Cable Plate..... pg# 227
- IBA5-W:** Recessed Low Voltage Media Plate with Duplex Surge Suppressor ..... pg# 227

DISPLAY MOUNTS



MODELS

Universal Models:

Includes standard hardware (hex or Phillips) for attaching display to mount  
**PT640** Gloss black

DISPLAY ADAPTOR



Mounting Pattern (W x H)

Universal Models: 450 x 305mm  
 (17.72" x 12.01")

Many 42" flat panel displays have mounting hole patterns larger than dimensions above. Use MountFinder™ to verify mount compatibility.



VESA® Pattern

Universal Models: Up to 400 x 300mm

SPECIFICATIONS



Distance from Wall

2.63"-4.74" (67-120mm)



Tilt

+15/-5°



Max Load

100lb (45kg)

Product Dimensions (W x H x D)

21.83" x 12.81" x 2.63"-4.74"  
 (555 x 325 x 67-120mm)

Mounting Surfaces

Wood stud, concrete, cinder/breeze block and metal stud  
 (Metal stud accessory required)

Ship Weight



8.15lb (3.70kg)

Color Packaging

CERTIFICATIONS



ACCESSORIES



**ACC415:**  
 4-pack Metal Stud  
 Fastener Kit ..... pg# 234



**ACC309:**  
 Video Conference Shelf ..... pg# 215



**ACC-UCM:**  
 Universal AV  
 Component Mount..... pg# 218



**ESHV models:**  
 AV Wall Shelves..... pg# 211



**IBA4-W:**  
 Easy Mount Recessed  
 Low Voltage Cable Plate..... pg# 227

PARAMOUNT™ Universal Tilt Wall Mount  
 For 32" to 46" Displays\*

1. Open wall plate design allows for total wall access, increasing electrical and cable management options
2. Universal tilt adaptors allow for +15/-5° tilt adjustment in one easy motion
3. Included IncreLok™ feature offers fixed tilt lock in 5° increments when used
4. Easy-Grip™ ratcheting handle locks tilt angle into place
5. Horizontal display adjustment up to 6.00" (152mm) for centering display on wall
6. Universal display adaptors easily hook onto wall plate for fast installation
7. Landscape to portrait mounting options increase installation versatility. Please check your display dimensions against the wall plate when used in portrait mode\*\*



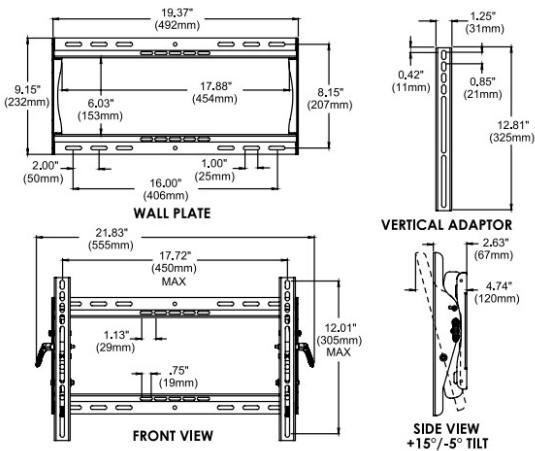
\*This display size range is simply a guideline for product selection. Displays larger than the screen size range may still be compatible as long as they fall within the VESA® pattern and max weight of the Peerless-AV® product.

\*\* Requires display to be removed and reset on mount

Please visit [peerless-av.com/en-us/patents](http://peerless-av.com/en-us/patents) for patent information.

TECHNICAL DRAWINGS

For expanded product information and technical data visit [peerless-av.com](http://peerless-av.com)

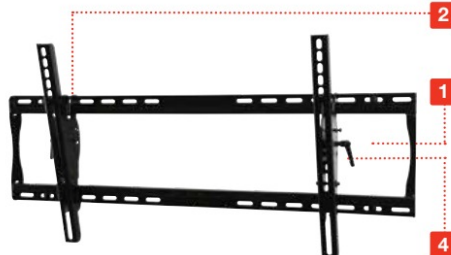


To verify mount compatibility with any display or projector model use MountFinder™ at [peerless-av.com](http://peerless-av.com).

# PARAMOUNT™ Universal Tilt Wall Mount

For 39" to 90" Displays\*

1. Open wall plate design allows for total wall access, increasing electrical and cable management options
2. Universal tilt adaptors allow for +15°/-5° tilt adjustment in one easy motion
3. Included InceLok™ feature offers fixed tilt lock in 5° increments when used



PT660

4. Easy-Grip™ ratcheting handle locks tilt angle into place
5. Horizontal display adjustment up to 8.00" (203mm) for centering display on wall
6. Universal display adaptors easily hook onto wall plate for fast installation
7. Landscape to portrait mounting options increase installation versatility. Please check your display dimensions against the wall plate when used in portrait mode\*\*



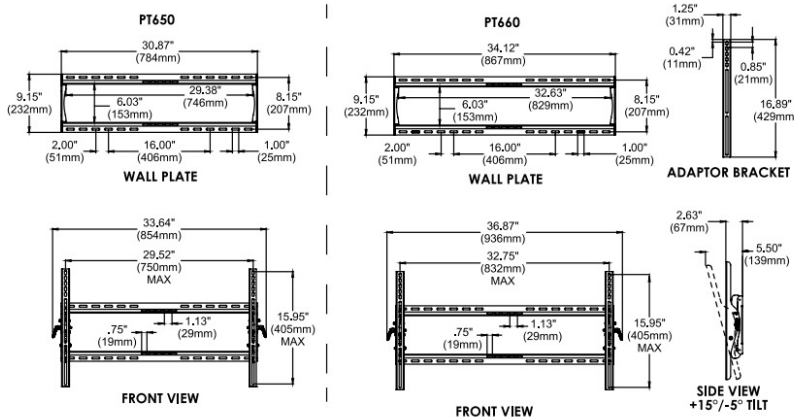
\*This display size range is simply a guideline for product selection. Displays larger than the screen size range may still be compatible as long as they fall within the VESA® pattern and max weight of the Peerless-AV® product.

\*\* Requires display to be removed and reset on mount

Please visit [peerless-av.com/en-us/patents](http://peerless-av.com/en-us/patents) for patent information.

For expanded product information and technical data visit [peerless-av.com](http://peerless-av.com)

## TECHNICAL DRAWINGS



To verify mount compatibility with any display or projector model use MountFinder™ at [peerless-av.com](http://peerless-av.com).

630-375-5100 | 800-865-2112 | [info@peerless-av.com](mailto:info@peerless-av.com) | [peerless-av.com](http://peerless-av.com)

## DISPLAY MOUNTS



### MODELS

#### Universal Models:

Includes standard hardware (hex or Phillips) for attaching display to mount

<b>PT650</b>	39" to 75" Displays	Gloss black
<b>PT660</b>	39" to 90" Displays	Gloss black

### DISPLAY ADAPTOR



#### Mounting Pattern (W x H)

#### Universal Models:

<b>PT650:</b>	750 x 405mm (29.52" x 15.95")
<b>PT660:</b>	832 x 405mm (32.75" x 15.95")



#### VESA® Pattern

#### Universal Models:

<b>PT650:</b>	Up to 600 x 400mm
<b>PT660:</b>	Up to 800 x 400mm

### SPECIFICATIONS



#### Distance from Wall

2.63"-5.50" (67-139mm)



#### Tilt

+15/-5°



#### Max Load

<b>PT650:</b>	150lb (68kg)
<b>PT660:</b>	200lb (91kg)

#### Product Dimensions (W x H x D)

<b>PT650:</b>	33.64" x 16.89" x 2.63"-5.50" (854 x 429 x 67-139mm)
<b>PT660:</b>	36.87" x 16.89" x 2.63"-5.50" (936 x 429 x 67-139mm)

#### Mounting Surfaces

Wood stud, concrete, cinder/breeze block and metal stud (Metal stud accessory required)

#### Ship Weight



<b>PT650:</b>	10.35lb (4.69kg)
<b>PT660:</b>	10.70lb (4.85kg)

Color Packaging

### CERTIFICATIONS



### ACCESSORIES



**ACC415:**  
4-pack Metal Stud Fastener Kit ..... pg# 234



**ACC309:**  
Video Conference Shelf ..... pg# 215



**ACC-UCM:**  
Universal AV Component Mount..... pg# 218



**ESHV models:**  
AV Wall Shelves..... pg# 211



**IBA4-W:**  
Easy Mount Recessed Low Voltage Cable Plate..... pg# 227



## DISPLAY MOUNTS



### MODELS

#### Universal Models:

Includes standard hardware (hex or Phillips) for attaching display to mount

**PP730** Gloss black

### DISPLAY ADAPTOR



#### VESA® Pattern

Universal Models: 75 and 100mm

### SPECIFICATIONS



#### Distance from Wall

2.75"-7.40" (70-188mm)



#### Tilt | Swivel | Roll

±15° | ±90° | ±5°



#### Max Load

25lb (11kg)

#### Product Dimensions (W x H x D)

8.24" x 5.50" x 2.75"-7.40"  
(209 x 140 x 70-188mm)

#### Mounting Surfaces

Wood stud, concrete, cinder/  
breeze block and metal stud  
(Metal stud accessory required)

#### Ship Weight

2.65lb (1.20kg)



Color Packaging

### CERTIFICATIONS



### ACCESSORIES



**ACC918:**  
Security Fasteners ..... pg# 234



**ACC2X1:**  
VESA® 200 x 100mm  
Adaptor Plate..... pg# 226



**WSP700/WSP701:**  
Metal Stud Wall Plates for  
16"/24" Center Metal Studs ... pg# 233

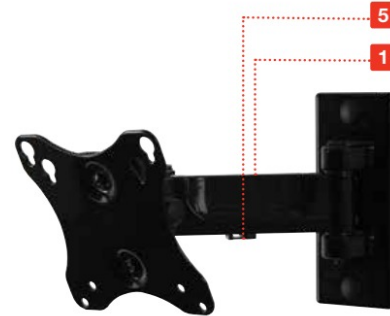


**ESHV models:**  
AV Wall Shelves ..... pg# 211

# PARAMOUNT™ Pivot Wall Mount

For 10" to 29" Displays\*

1. Extends display 7.40" (188mm) from the wall
2. Retracts to hold display just 2.75" (70mm) from the wall
3. ±90° of pivot allows for perfect display positioning
4. Quick and easy, Hook-and-Hang™ one-person installation
5. Integrated cable management provides clean, professional installation finish
6. Easy leveling ±5° after display installation
7. One-Touch™ tilt offers ±15° of viewing angle adjustment
8. Landscape or portrait mounting options increase display versatility
9. Includes all necessary wall mounting and display attachment hardware

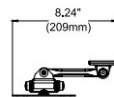


\*This display size range is simply a guideline for product selection. Displays larger than the screen size range may still be compatible as long as they fall within the VESA® pattern and max weight of the Peerless-AV® product.

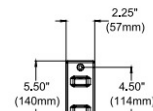
Please visit [peerless-av.com/en-us/patents](http://peerless-av.com/en-us/patents) for patent information.

### TECHNICAL DRAWINGS

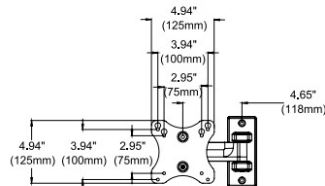
For expanded product information and technical data visit [peerless-av.com](http://peerless-av.com)



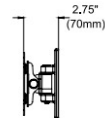
TOP VIEW



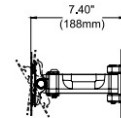
WALL PLATE DETAIL



FRONT VIEW



SIDE VIEW COLLAPSED



SIDE VIEW EXTENDED  
+15°/-15° TILT

To verify mount compatibility with any display or projector model use MountFinder™ at [peerless-av.com](http://peerless-av.com).



630-375-5100 | 800-865-2112



[info@peerless-av.com](mailto:info@peerless-av.com)



[peerless-av.com](http://peerless-av.com)

# PARAMOUNT™ Pivot Wall Mount

For 22" to 43" Displays\*

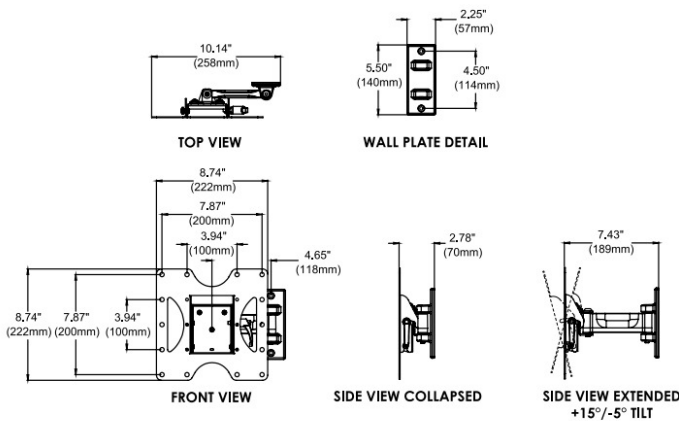
1. Extends display 7.43" (189mm) from the wall
2. Retracts to hold display just 2.78" (70mm) from the wall
3. ±90° of pivot allows for perfect display positioning
4. Quick and easy, Hook-and-Hang™ one-person installation
5. Integrated cable management provides clean, professional installation finish
6. Easy leveling ±5° after display installation
7. Locking tilt offers +15°/-5° of viewing angle adjustment
8. Landscape or portrait mounting options increase display versatility
9. Includes all necessary wall mounting and display attachment hardware



\*This display size range is simply a guideline for product selection. Displays larger than the screen size range may still be compatible as long as they fall within the VESA® pattern and max weight of the Peerless-AV™ product. Please visit [peerless-av.com/en-us/patents](http://peerless-av.com/en-us/patents) for patent information.

For expanded product information and technical data visit [peerless-av.com](http://peerless-av.com)

## TECHNICAL DRAWINGS



To verify mount compatibility with any display or projector model use MountFinder™ at [peerless-av.com](http://peerless-av.com).

630-375-5100 | 800-865-2112 | [info@peerless-av.com](mailto:info@peerless-av.com) | [peerless-av.com](http://peerless-av.com)

## DISPLAY MOUNTS



### MODELS

#### Universal Models:

Includes standard hardware (hex or Phillips) for attaching display to mount  
**PP740** Gloss black

### DISPLAY ADAPTOR



#### VESA® Pattern

Universal Models: 100, 200 x 100 and 200 x 200mm

### SPECIFICATIONS



#### Distance from Wall

2.78"-7.43" (70-189mm)



#### Tilt | Swivel | Roll

+15°/-5° | ±90° | ±5°



#### Max Load

80lb (36kg)

#### Product Dimensions (W x H x D)

10.14" x 8.74" x 2.78"-7.43"  
 (258 x 222 x 70-189mm)

#### Mounting Surfaces

Wood stud, concrete, cinder/breeze block and metal stud (Metal stud accessory required)

#### Ship Weight

4.10lb (1.86kg)

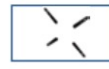


Color Packaging

### CERTIFICATIONS



### ACCESSORIES



#### ACC4X4:

VESA® 400 x 400mm Adaptor Plate ..... pg# 226



#### ACC-UCM:

Universal AV Component Mount..... pg# 218



#### ESHV models:

AV Wall Shelves ..... pg# 211



**WSP700/WSP701:**  
 Metal Stud Wall Plates for 1 1/2" x 2 1/2" Center Metal Studs... pg# 233

## DISPLAY MOUNTS



### MODELS

#### Universal Models:

Includes standard hardware (hex or Phillips) for attaching display to mount

**PA730** Gloss black

### DISPLAY ADAPTOR



#### VESA® Pattern

Universal Models: 75 and 100mm

### SPECIFICATIONS



#### Distance from Wall

2.73"-14.85" (69-377mm)



#### Tilt | Swivel | Roll

±15° | ±90° | ±5°



#### Max Load

25lb (11kg)

#### Product Dimensions (W x H x D)

8.96" x 7.41" x 2.73"-14.85"  
(228 x 188 x 69-377mm)

#### Mounting Surfaces

Wood stud, concrete, cinder/  
breeze block and metal stud  
(Metal stud accessory required)

#### Ship Weight



Color Packaging

3.55lb (1.61kg)

### CERTIFICATIONS



### ACCESSORIES



#### ACC918:

Security Fasteners ..... pg# 234



#### ACC2X1:

VESA® 200 x 100mm  
Adaptor Plate ..... pg# 226



#### WSP700/WSP701:

Metal Stud Wall Plates for  
16"/24" Center Metal Studs... pg# 233



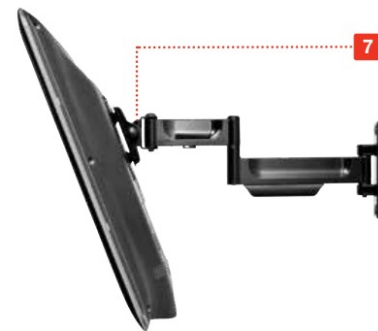
#### ESHV models:

AV Wall Shelves ..... pg# 211

# PARAMOUNT™ Articulating Wall Mount

For 10" to 29" Displays \*

1. Extends display 14.85" (377mm) from the wall
2. Retracts to hold display just 2.73" (69mm) from the wall
3. ±90° of pivot allows for perfect display positioning
4. Quick and easy, Hook-and-Hang™ one-person installation
5. Integrated cable management provides clean, professional installation finish
6. Easy leveling ±5° after display installation
7. One-Touch™ tilt offers ±15° of viewing angle adjustment
8. Landscape or portrait mounting options increase display versatility
9. Includes all necessary wall mounting and display attachment hardware

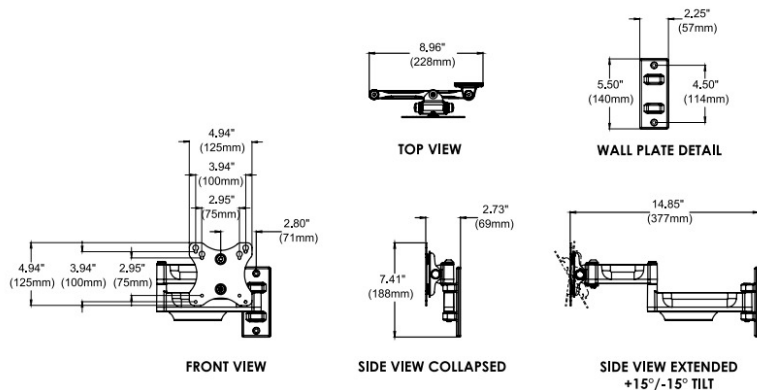


\*This display size range is simply a guideline for product selection. Displays larger than the screen size range may still be compatible as long as they fall within the VESA® pattern and max weight of the Peerless-AV® product.

Please visit [peerless-av.com/en-us/patents](http://peerless-av.com/en-us/patents) for patent information.

### TECHNICAL DRAWINGS

For expanded product information and technical data visit [peerless-av.com](http://peerless-av.com)



To verify mount compatibility with any display or projector model use MountFinder™ at [peerless-av.com](http://peerless-av.com).



630-375-5100 | 800-865-2112



info@peerless-av.com



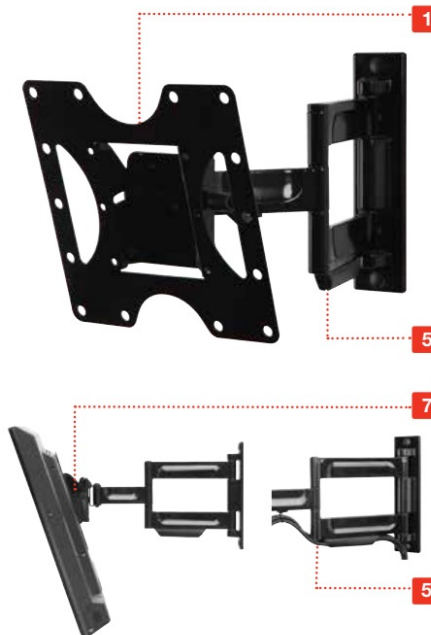
peerless-av.com



# PARAMOUNT™ Articulating Wall Mount

For 22" to 43" Displays\*

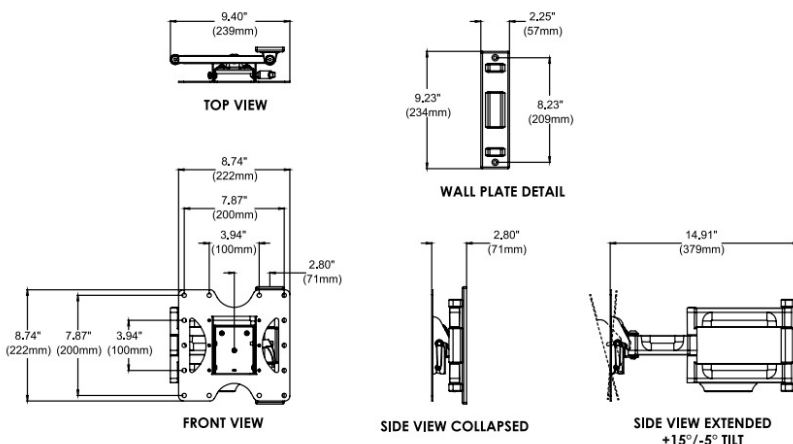
1. Extends display 14.91" (379mm) from the wall
2. Retracts to hold display 2.80" (71mm) from the wall
3. ±90° of pivot allows for perfect display positioning
4. Quick and easy, Hook-and-Hang™ one-person installation
5. Integrated cable management provides clean, professional installation finish
6. Easy leveling ±5° after display installation
7. Locking tilt offers +15°/-5° of viewing angle adjustment
8. Landscape or portrait mounting options increase display versatility
9. Includes all necessary wall mounting and display attachment hardware



\*This display size range is simply a guideline for product selection. Displays larger than the screen size range may still be compatible as long as they fall within the VESA® pattern and max weight of the Peerless-AV® product. Please visit [peerless-av.com/en-us/patents](http://peerless-av.com/en-us/patents) for patent information.

For expanded product information and technical data visit [peerless-av.com](http://peerless-av.com)

## TECHNICAL DRAWINGS



To verify mount compatibility with any display or projector model use MountFinder™ at [peerless-av.com](http://peerless-av.com).

630-375-5100 | 800-865-2112 | [info@peerless-av.com](mailto:info@peerless-av.com) | [peerless-av.com](http://peerless-av.com)

## DISPLAY MOUNTS



### MODELS

#### Universal Models:

Includes standard hardware (hex or Phillips) for attaching display to mount  
**PA740** Gloss black

### DISPLAY ADAPTOR



#### VESA® Pattern

Universal Models: 100, 200 x 100 and 200 x 200mm

### SPECIFICATIONS



#### Distance from Wall

2.80"-14.91" (71-379mm)



#### Tilt | Swivel | Roll

+15°/-5° | ±90° | ±5°



#### Max Load

80lb (36kg)

#### Product Dimensions (W x H x D)

9.40" x 8.74" x 2.80"-14.91"  
(239 x 222 x 71-379mm)

#### Mounting Surfaces

Wood stud, concrete, cinder/breeze block and metal stud (Metal stud accessory required)

#### Ship Weight

6.05lb (2.74kg)

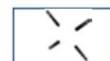


Color Packaging

### CERTIFICATIONS



### ACCESSORIES



#### ACC4X4:

VESA® 400 x 400mm Adaptor Plate ..... pg# 226



#### ACC-UCM:

Universal AV Component Mount..... pg# 218



#### ESHV models:

AV Wall Shelves ..... pg# 211



#### WSP700/WSP701:

Metal Stud Wall Plates for 16"/24" Center Metal Studs... pg# 233

DISPLAY MOUNTS



PARAMOUNT WALL MOUNTS

MODELS

Universal Models:

Includes standard hardware (hex or Phillips) for attaching display to mount  
**PA746** Gloss black

DISPLAY ADAPTOR



VESA® Pattern

Universal Models: 100, 200 x 100, 200 x 200, 300 x 200, 300 x 300, 400 x 200, 400 x 300 and 400 x 400mm

SPECIFICATIONS

**Distance from Wall**  
 2.81"-15.08" (71-383mm)

**Tilt | Swivel | Roll**  
 +15°/-5° | ±90° | ±5°

**Max Load**  
 80lb (36kg)

**Product Dimensions (W x H x D)**  
 16.65" x 16.65" x 2.81"-15.08"  
 (423 x 423 x 71-383mm)

**Mounting Surfaces**  
 Wood stud, concrete, cinder/breeze block and metal stud (Metal stud accessory required)

**Ship Weight**  
 6.85lb (3.11kg)



Color Packaging

CERTIFICATIONS



ACCESSORIES



**ACC-UCM:**  
 Universal AV Component Mount..... pg# 218



**WSP700/WSP701:**  
 Metal Stud Wall Plates for 16"/24" Center Metal Studs... pg# 233

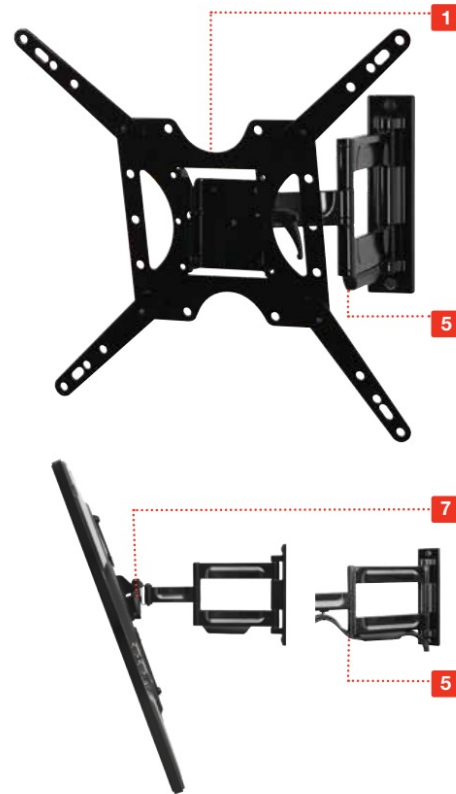


**ESHV models:**  
 AV Wall Shelves..... pg# 211

# PARAMOUNT™ Articulating Wall Mount

For 32" to 50" Displays\*

1. Extends display 15.08" (383mm) from the wall
2. Retracts to hold display 2.81" (71mm) from the wall
3. ±90° of pivot allows for perfect display positioning
4. Quick and easy, Hook-and-Hang™ one-person installation
5. Integrated cable management provides clean, professional installation finish
6. Easy leveling ±5° after display installation
7. Locking tilt offers +15°/-5° of viewing angle adjustment
8. Landscape or portrait mounting options increase display versatility
9. Includes all necessary wall mounting and display attachment hardware

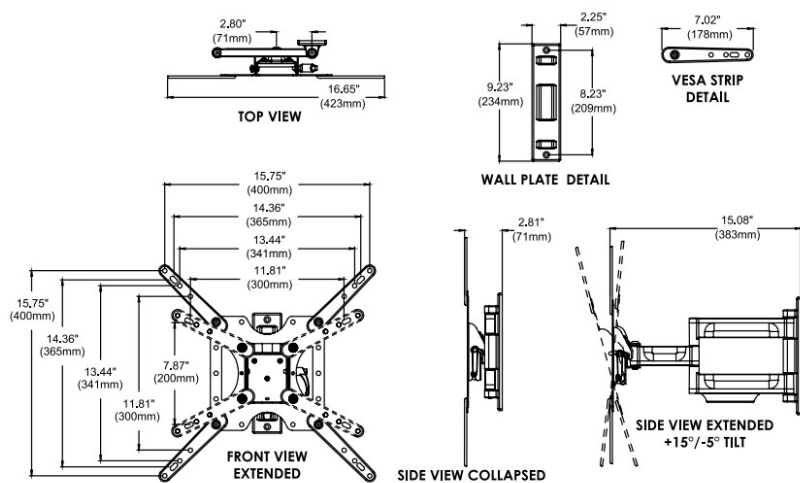


\*This display size range is simply a guideline for product selection. Displays larger than the screen size range may still be compatible as long as they fall within the VESA® pattern and max weight of the Peerless-AV® product.

Please visit [peerless-av.com/en-us/patents](http://peerless-av.com/en-us/patents) for patent information.

TECHNICAL DRAWINGS

For expanded product information and technical data visit [peerless-av.com](http://peerless-av.com)



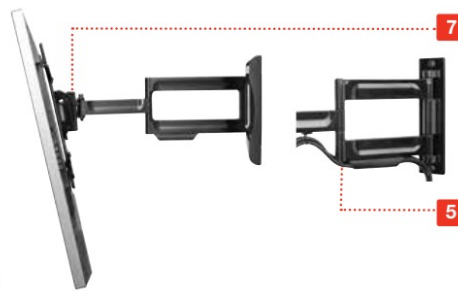
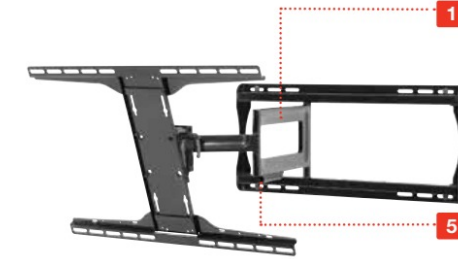
To verify mount compatibility with any display or projector model use MountFinder™ at [peerless-av.com](http://peerless-av.com).

630-375-5100 | 800-865-2112 | [info@peerless-av.com](mailto:info@peerless-av.com) | [peerless-av.com](http://peerless-av.com)

# PARAMOUNT™ Articulating Wall Mount

## For 39" to 75" Displays\*

1. Extends display 21.35" (542mm) from the wall
2. Retracts to hold display 3.00" (76mm) from the wall
3. ±90° of pivot allows for perfect display positioning
4. Quick and easy, Hook-and-Hang™ one-person installation
5. Integrated cable management provides clean, professional installation finish
6. Easy leveling ±5° after display installation
7. Locking tilt offers +15°/-5° of viewing angle adjustment
8. Includes all necessary wall mounting and display attachment hardware
9. The I-Shaped Adaptor plate's innovative design helps avoid blocking connections on back of display

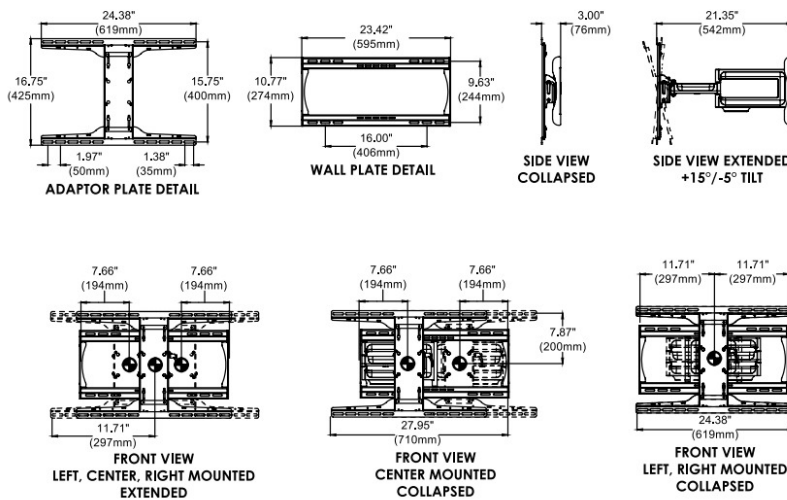


\*This display size range is simply a guideline for product selection. Displays larger than the screen size range may still be compatible as long as they fall within the VESA® pattern and max weight of the Peerless-AV® product.

Please visit [peerless-av.com/en-us/patents](http://peerless-av.com/en-us/patents) for patent information.

For expanded product information and technical data visit [peerless-av.com](http://peerless-av.com)

### TECHNICAL DRAWINGS



To verify mount compatibility with any display or projector model use MountFinder™ at [peerless-av.com](http://peerless-av.com).

630-375-5100 | 800-865-2112 | [info@peerless-av.com](mailto:info@peerless-av.com) | [peerless-av.com](http://peerless-av.com)

### DISPLAY MOUNTS



#### MODELS

##### Universal Models:

Includes standard hardware (hex or Phillips) for attaching display to mount  
**PA750** Gloss black

#### DISPLAY ADAPTOR

Mounting Pattern	(W x H)
Universal Models:	600 x 400mm (23.62" x 15.75")



##### VESA® Pattern

Universal Models: 200 x 100 to 600 x 400mm

#### SPECIFICATIONS

Distance from Wall	3.00"-21.35" (76-542mm)
Tilt   Swivel   Roll	+15°/-5°   ±90°   ±5°
Max Load	100lb (45kg)

##### Product Dimensions (W x H x D)

24.38" x 16.75" x 3.00"-21.35" (619 x 425 x 76-542mm)

##### Mounting Surfaces

Wood stud, concrete, cinder/breeze block and metal stud (Metal stud accessory required)

##### Ship Weight

19lb (8.62kg)



Color Packaging

#### CERTIFICATIONS



#### ACCESSORIES



**ACC-UCM:**  
 Universal AV Component Mount..... pg# 218



**ESHV models:**  
 AV Wall Shelves ..... pg# 211



## DISPLAY MOUNTS



### MODELS

#### Universal Models:

Includes standard hardware (hex or Phillips) for attaching display to mount  
**PA762** Gloss black

### DISPLAY ADAPTOR



Mounting Pattern (W x H)

Universal Models: 600 x 400mm  
 (23.62" x 15.75")



VESA® Pattern

Universal Models: 200 x 100 to 600 x 400mm

### SPECIFICATIONS



Distance from Wall

3.00"-21.32" (76-542mm)



Tilt | Swivel | Roll

+15°/-5° | ±90° | ±5°



Max Load

150lb (68kg)

Product Dimensions (W x H x D)

24.38" x 16.75" x 3.00"-21.32"  
 (619 x 425 x 76-542mm)

Mounting Surfaces

Wood stud, concrete  
 and cinder/breeze block

Ship Weight

24.40lb (11.07kg)



Color Packaging

### CERTIFICATIONS



### ACCESSORIES



**ACC-UCM:**  
 Universal AV  
 Component Mount..... pg# 218

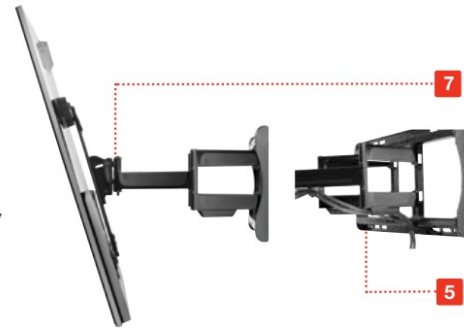
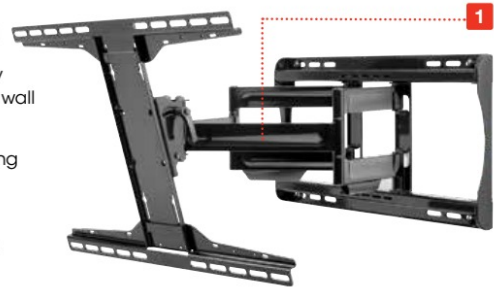


**ESHV models:**  
 AV Wall Shelves..... pg# 211

# PARAMOUNT™ Articulating Wall Mount

For 39" to 90" Displays\*

1. Extends display 21.32" (542mm) from the wall
2. Retracts to hold display 3.00" (76mm) from the wall
3. ±90° of pivot allows for perfect display positioning
4. Quick and easy, Hook-and-Hang™ one-person installation
5. Integrated cable management provides clean, professional installation finish
6. Easy leveling ±5° after display installation
7. Locking tilt offers +15°/-5° of viewing angle adjustment
8. Includes all necessary wall mounting and display attachment hardware
9. The I-Shaped Adaptor plate's innovative design helps avoid blocking connections on back of display

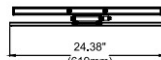


\*This display size range is simply a guideline for product selection. Displays larger than the screen size range may still be compatible as long as they fall within the VESA® pattern and max weight of the Peerless-AV® product.

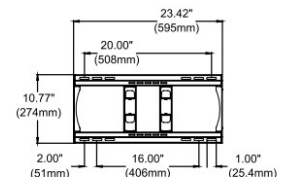
Please visit [peerless-av.com/en-us/patents](http://peerless-av.com/en-us/patents) for patent information.

### TECHNICAL DRAWINGS

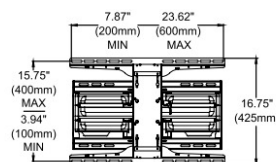
For expanded product information and technical data visit [peerless-av.com](http://peerless-av.com)



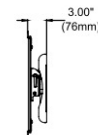
TOP VIEW



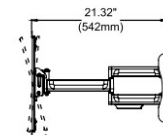
WALL PLATE DETAIL



FRONT VIEW



SIDE VIEW  
 COLLAPSED



SIDE VIEW EXTENDED  
 +15°/-5 TILT

To verify mount compatibility with any display or projector model use MountFinder™ at [peerless-av.com](http://peerless-av.com).



630-375-5100 | 800-865-2112



info@peerless-av.com



peerless-av.com

# Designer Series™ Universal Ultra Slim Flat Wall Mount

For 37" to 80" Ultra-Thin Displays\*

1. Ultra slim design holds displays only 0.33" (8mm) from the wall
2. Industrial strength Velcro® latching system holds display in place against the wall plate, preventing accidental bump-off or horizontal adjustment
3. Easy three-step installation, mount the wall plate, attach display adaptors to display and hang display
4. Lateral shift adjustment up to 6" (152mm) for centering display on wall with SUF640P and up to 8" (203mm) with SUF650P and SUF660P models
5. Universal display adaptors easily hook onto wall plate for fast installation



#### Display Mounting Requirements

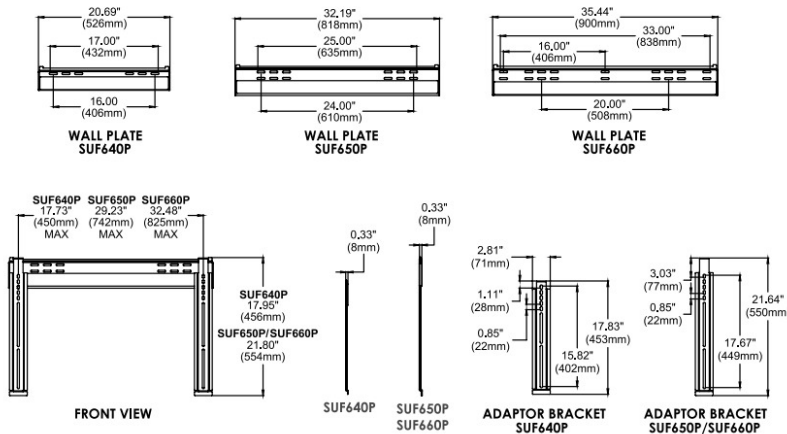
1. Designed for use with displays that are less than 3" (76mm) deep.
2. The depth of this mount (0.33" (8mm)) may not provide sufficient space for proper ventilation on some displays. Refer to the manufacturer's requirements for mounting the display before installation.
3. The display must have a flat mounting surface, or mounting holes need to be on the furthest back surface of the display.
4. Input/output connection must be properly orientated to accommodate mounting 0.33" (8mm) from the wall.

\*This display size range is simply a guideline for product selection. Displays larger than the screen size range may still be compatible as long as they fall within the VESA® pattern and max weight of the Peerless-AV® product.

Please visit [peerless-av.com/en-us/patents](http://peerless-av.com/en-us/patents) for patent information.

For expanded product information and technical data visit [peerless-av.com](http://peerless-av.com)

#### TECHNICAL DRAWINGS



To verify mount compatibility with any display or projector model use MountFinder™ at [peerless-av.com](http://peerless-av.com).

630-375-5100 | 800-865-2112 | [info@peerless-av.com](mailto:info@peerless-av.com) | [peerless-av.com](http://peerless-av.com)

#### DISPLAY MOUNTS



#### MODELS

##### Universal Models:

Includes standard hardware (hex or Phillips) for attaching display to mount

<b>SUF640P™</b>	37" to 50" Displays	Gloss black
<b>SUF650P™</b>	37" to 75" Displays	Gloss black
<b>SUF660P™</b>	40" to 80" Displays	Gloss black

\*Designed for use with displays that are less than 3" (76mm) deep

#### DISPLAY ADAPTOR

Mounting Pattern	(W x H)
<b>Universal Models</b>	
<b>SUF640P:</b>	450 x 402mm (17.73" x 15.82")
<b>SUF650P:</b>	742 x 449mm (29.23" x 17.67")
<b>SUF660P:</b>	825 x 449mm (32.48" x 17.67")



##### VESA® Pattern

<b>Universal Models</b>	
<b>SUF640P:</b>	Up to 400 x 400mm
<b>SUF650P:</b>	Up to 600 x 400mm
<b>SUF660P:</b>	Up to 800 x 400mm

#### SPECIFICATIONS

<b>Distance from Wall</b>	0.33" (8mm)
---------------------------	-------------

<b>Max Load</b>	150lb (68kg)
-----------------	--------------

##### Product Dimensions (W x H x D)

<b>SUF640P:</b>	20.69" x 17.95" x 0.33" (526 x 456 x 8mm)
<b>SUF650P:</b>	32.19" x 21.80" x 0.33" (818 x 554 x 8mm)
<b>SUF660P:</b>	35.44" x 21.80" x 0.33" (900 x 554 x 8mm)

##### Mounting Surfaces

Wood stud, concrete, cinder/breeze block and metal stud (Metal stud accessory required)

##### Ship Weight

<b>SUF640P:</b>	4.7lb (2.13kg)
<b>SUF650P:</b>	7.6lb (3.44kg)
<b>SUF660P:</b>	7.8lb (3.53kg)

#### CERTIFICATIONS



#### ACCESSORIES

**ACC215/ ACC415/ ACC615:**  
 2-pack/ 4-pack/ 6-pack  
 Metal Stud Fastener Kit ..... pg# 234

**ACC952:**  
 Above Display SUF Security  
 Lock Accessory ..... pg# 226

**IBA2(-W), IBA2AC(-W),  
 IBA3(-W), IBA3AC(-W):**  
 Recessed Cable Management and  
 Power Storage Accessory Box ... pg# 227

**IBA4-W:**  
 Easy Mount Recessed  
 Low Voltage Cable Plate ..... pg# 227

**IBA5-W:**  
 Recessed Low Voltage Media Plate  
 with Duplex Surge Suppressor... pg# 227

**ESHV models:**  
 AV Wall Shelves ..... pg# 211

DISPLAY MOUNTS



MODELS

Universal Models:

Includes standard hardware (hex or Phillips) for attaching display to mount

<b>SUF641*</b>	24" to 50" Displays	Gloss black
<b>SUF651*</b>	37" to 75" Displays	Gloss black
<b>SUF661*</b>	40" to 80" Displays	Gloss black

\* Designed for use with displays that are less than 3" (75mm) deep

DISPLAY ADAPTOR



VESA® Pattern

Universal Models	(in 25mm increments)
<b>SUF641:</b>	75 to 425mm
<b>SUF651:</b>	150 to 400 and 550 to 700mm
<b>SUF661:</b>	150 to 400 and 550 to 800mm

SPECIFICATIONS

Distance from Wall	0.19" (5mm)
--------------------	-------------

Max Load	150lb (68kg)
----------	--------------

Product Dimensions (W x H x D)

<b>SUF641:</b>	20.00" x 5.50" x 0.19" (508 x 140 x 5mm)
<b>SUF651:</b>	32.00" x 5.50" x 0.19" (813 x 140 x 5mm)
<b>SUF661:</b>	35.25" x 5.50" x 0.19" (895 x 140 x 5mm)

Mounting Surfaces

Wood stud, concrete and cinder/breeze block

Ship Weight

<b>SUF641:</b>	4lb (1.8kg)
<b>SUF651:</b>	5.8lb (2.61kg)
<b>SUF661:</b>	6.1lb (2.75kg)

CERTIFICATIONS



ACCESSORIES



**ACC952:**  
Above Display SUF Security Lock Accessory ..... pg# 226



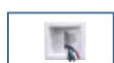
**IBA2(-W), IBA2AC(-W):**  
Recessed Cable Management and Power Storage Accessory Box ..... pg# 227



**IBA3(-W), IBA3AC(-W):**  
Recessed Cable Management and Power Storage Accessory Box ..... pg# 227



**IBA4-W:**  
Easy Mount Recessed Low Voltage Cable Plate ..... pg# 227



**IBA5-W:**  
Recessed Low Voltage Media Plate with Duplex Surge Suppressor ..... pg# 227



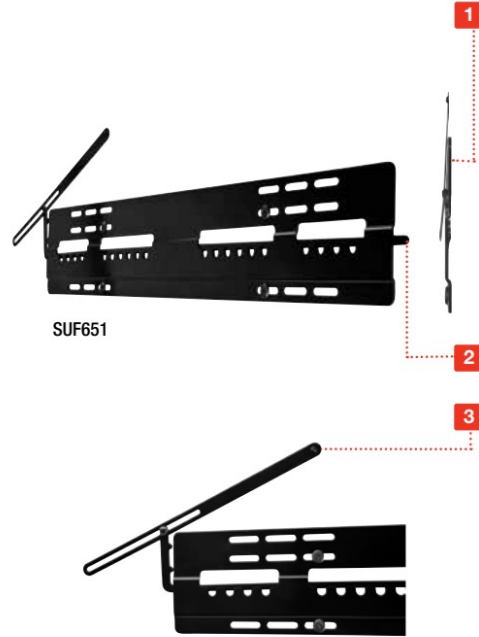
**ESHV models:**  
AV Wall Shelves ..... pg# 211

# Universal Ultra Slim Flat Wall Mount

Designer Series™

For 24" to 80" Ultra-Thin Displays\*

1. Ultra slim design holds displays only 0.19" (5mm) from the wall
2. Locking arm holds display in place and prevents accidental bump-offs and unwanted horizontal adjustments
3. Theft resistant security screw on locking arm
4. Easy three-step installation, mount the wall plate, hang the display and insert the locking arm



Display Mounting Requirements

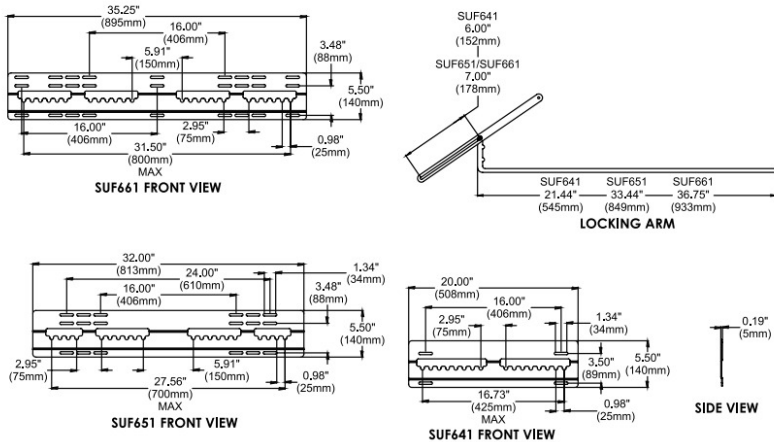
1. The depth of this mount (0.19" (5mm)) may not provide sufficient space for proper ventilation on some displays. Refer to the manufacturer's requirements for mounting the display before installation.
2. The display must have a flat mounting surface, or mounting holes need to be on the furthest back surface of the display.
3. Input/output connection must be properly orientated to accommodate mounting 0.19" (5mm) from the wall.

\*This display size range is simply a guideline for product selection. Displays larger than the screen size range may still be compatible as long as they fall within the VESA® pattern and max weight of the Peerless-AV® product.

Please visit [peerless-av.com/en-us/patents](http://peerless-av.com/en-us/patents) for patent information.

TECHNICAL DRAWINGS

For expanded product information and technical data visit [peerless-av.com](http://peerless-av.com)



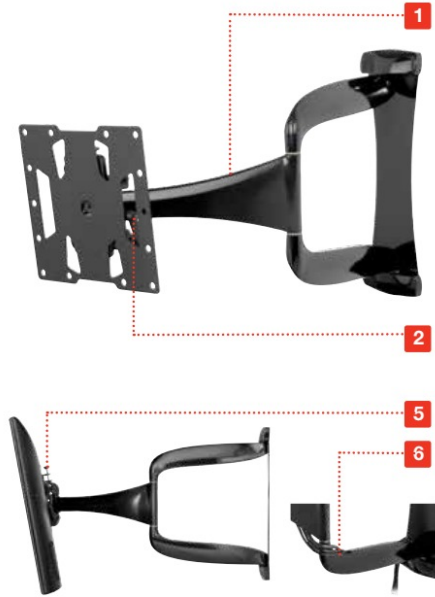
To verify mount compatibility with any display or projector model use MountFinder™ at [peerless-av.com](http://peerless-av.com).



# Designer Series™ Ultra Slim Articulating Wall Mount

For 32" to 43" Ultra-Thin Displays\*

1. Arm retracts to 1.74" (44mm) and extends up to 24.74" (628mm) from wall
2. One-Touch™ tilt mechanism allows adjustment of +15/-5° without the use of tools
3. Up to ±90° of side-to-side swivel
4. Added ±5° of roll for post-installation display leveling without the use of tools
5. Up to ±0.5" (13mm) of vertical adjustment for post-installation leveling and height adjustment fine-tuning
6. Internal cable management provides clean, professional installation finish



AWARD-WINNING SOLUTION **Dealerscope 2017 IMPACT! awards**

#### Display Mounting Requirements

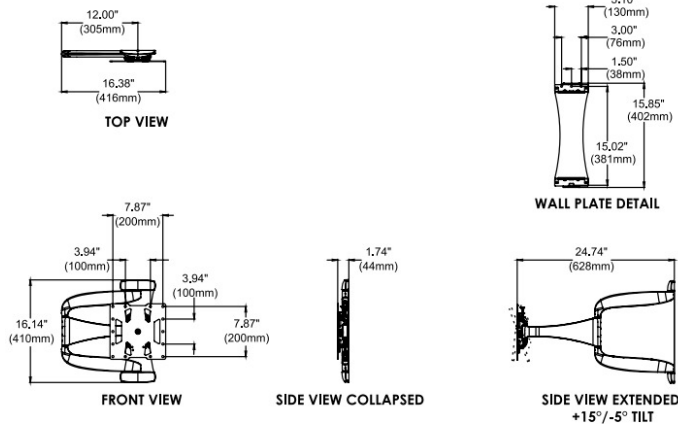
1. Designed for use with displays that are less than 3" (76mm) deep.
2. The display must have a flat mounting surface, or mounting holes need to be on the furthest back surface of the display.

\*This display size range is simply a guideline for product selection. Displays larger than the screen size range may still be compatible as long as they fall within the VESA® pattern and max weight of the Peerless-AV® product.

Please visit [peerless-av.com/en-us/patents](http://peerless-av.com/en-us/patents) for patent information.

For expanded product information and technical data visit [peerless-av.com](http://peerless-av.com)

#### TECHNICAL DRAWINGS



To verify mount compatibility with any display or projector model use MountFinder™ at [peerless-av.com](http://peerless-av.com).

630-375-5100 | 800-865-2112 | [info@peerless-av.com](mailto:info@peerless-av.com) | [peerless-av.com](http://peerless-av.com)

#### DISPLAY MOUNTS



#### MODELS

Includes standard hardware (hex or Phillips) for attaching display to mount

#### Universal Models:

**SUA740P\*** Gloss black

\* Designed for use with displays that are less than 3" (76mm) deep

#### DISPLAY ADAPTOR



#### VESA® Pattern

Universal Models: 200 x 100, 200 x 200mm

#### SPECIFICATIONS

	<b>Distance from Wall</b>	1.74"-24.74" (44-628mm)
	<b>Tilt   Swivel   Roll</b>	+15/-5°   ±90°   ±5°
	<b>Max Load</b>	60lb (27kg)
<b>Product Dimensions</b>	(W x H x D)	16.38" x 16.14" x 1.74"-24.74" (416 x 410 x 44-628mm)
<b>Mounting Surfaces</b>		Wood stud, concrete and cinder/breeze block
<b>Ship Weight</b>		13.25lb (6.01kg)
	<b>Color Packaging</b>	

#### CERTIFICATIONS



#### ACCESSORIES

- ACC925:** Security Fasteners ..... pg# 234
- ACC-UCM:** Universal AV Component Mount..... pg# 218
- ESHV models:** AV Wall Shelves ..... pg# 211
- IBA2(-W), IBA2AC(-W), IBA3(-W), IBA3AC(-W):** Recessed Cable Management and Power Storage Accessory Box ... pg# 227
- IBA4-W:** Easy Mount Recessed Low Voltage Cable Plate ..... pg# 227
- IBA5-W:** Recessed Low Voltage Media Plate with Duplex Surge Suppressor... pg# 227
- WSP756:** Metal Stud Wall Plate..... pg# 233

Designer Series™ WALL MOUNTS

## DISPLAY MOUNTS



### MODELS

Includes standard hardware (hex or Phillips) for attaching display to mount

#### Universal Models:

**SUA747PU\***      Gloss black

\* Designed for use with displays that are less than 3" (76mm) deep

### DISPLAY ADAPTOR



#### Mounting Pattern (W x H)

Universal Models: 400 x 400mm  
(15.75 x 15.75")



#### VESA® Pattern

Universal Models: 200 x 100 to 400 x 400mm

### SPECIFICATIONS



#### Distance from Wall

1.85"-24.85" (47-631mm)



#### Tilt | Swivel | Roll

+15/-5° | ±90° | ±5°



#### Max Load

60lb (27kg)

#### Product Dimensions (W x H x D)

20.25" x 16.94" x 1.85"-24.85"  
(514 x 430 x 47-631mm)

#### Mounting Surfaces

Wood stud, concrete and cinder/breeze block

#### Ship Weight

13.4lb (6.1kg)



Color Packaging

### CERTIFICATIONS



**RoHS**  
COMPLIANT

**TAA**  
COMPLIANT

### ACCESSORIES



**ACC925:**  
Security Fasteners ..... pg# 234



**ACC-UCM:**  
Universal AV  
Component Mount..... pg# 218



**ESHV models:**  
AV Wall Shelves ..... pg# 211



**IBA2(-W), IBA2AC(-W),  
IBA3(-W), IBA3AC(-W):**  
Recessed Cable Management and  
Power Storage Accessory Box ... pg# 227



**IBA4-W:**  
Easy Mount Recessed  
Low Voltage Cable Plate ..... pg# 227



**IBA5-W:**  
Recessed Low Voltage Media Plate  
with Duplex Surge Suppressor... pg# 227

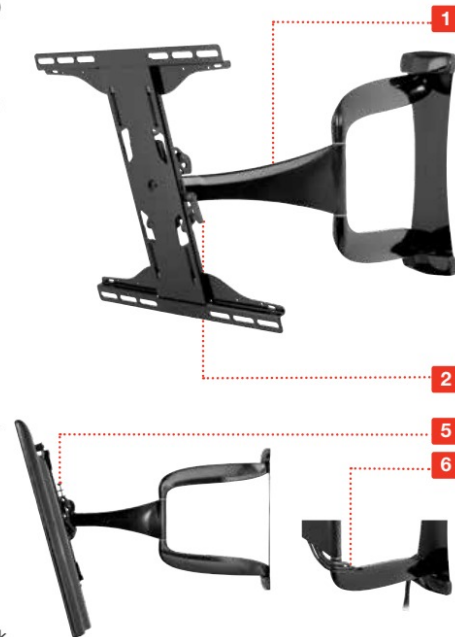


**WSP756:**  
Metal Stud Wall Plate ..... pg# 233

# Designer Series™ Universal Ultra Slim Articulating Wall Mount

For 32" to 50" Ultra-Thin Displays\*

1. Arm retracts to 1.85" (47mm) and extends up to 24.85" (631mm) from wall
2. One-Touch™ tilt mechanism allows adjustment of +15/-5° without the use of tools
3. Up to ±90° of side-to-side swivel
4. Added ±5° of roll for post-installation display leveling without the use of tools
5. Up to ±0.5" (13mm) of vertical adjustment for post-installation leveling and height adjustment fine-tuning
6. Internal cable management provides clean, professional installation finish
7. Landscape or portrait mounting options increase display versatility
8. The I-Shaped Adaptor plate's innovative design helps avoid blocking connections on back of display



**AWARD-WINNING  
SOLUTION**

**Dealerscope 2017  
IMPACT!  
awards**

#### Display Mounting Requirements

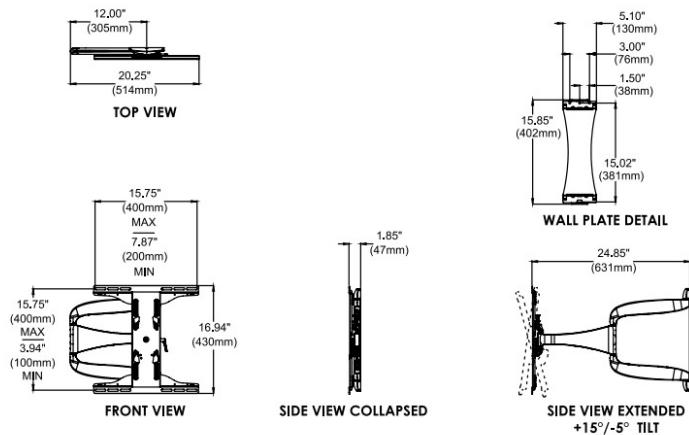
1. Designed for use with displays that are less than 3" (76mm) deep.
2. The display must have a flat mounting surface, or mounting holes need to be on the furthest back surface of the display.

\*This display size range is simply a guideline for product selection. Displays larger than the screen size range may still be compatible as long as they fall within the VESA® pattern and max weight of the Peerless-AV® product.

Please visit [peerless-av.com/en-us/patents](http://peerless-av.com/en-us/patents) for patent information.

### TECHNICAL DRAWINGS

For expanded product information and technical data visit [peerless-av.com](http://peerless-av.com)



To verify mount compatibility with any display or projector model use MountFinder™ at [peerless-av.com](http://peerless-av.com).

630-375-5100 | 800-865-2112

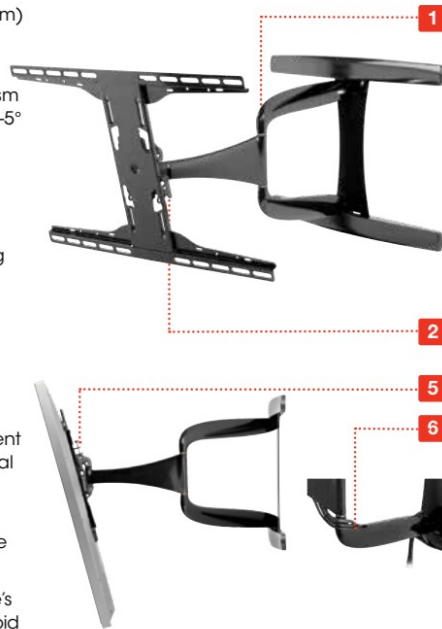
info@peerless-av.com

peerless-av.com

# Designer Series™ Universal Ultra Slim Articulating Wall Mount

For 37" to 65" Ultra-Thin Displays\*

1. Arm retracts to 1.85" (47mm) and extends up to 24.85" (631mm) from wall
2. One-Touch™ tilt mechanism allows adjustment of +15°/-5° without the use of tools
3. Up to ±90° of side-to-side swivel
4. Added ±5° of roll for post-installation display leveling without the use of tools
5. Up to ±0.5" (13mm) of vertical adjustment for post-installation leveling and height adjustment fine-tuning
6. Internal cable management provides clean, professional installation finish
7. Landscape or portrait mounting options increase display versatility
8. The I-Shaped Adaptor plate's innovative design helps avoid blocking connections on back of display



AWARD-WINNING SOLUTION **Dealerscope 2017 IMPACT! awards**

#### Display Mounting Requirements

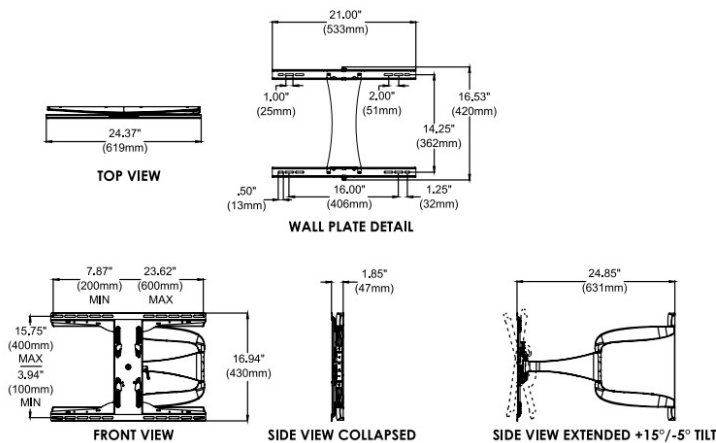
1. Designed for use with displays that are less than 3" (76mm) deep.
2. The display must have a flat mounting surface, or mounting holes need to be on the furthest back surface of the display.

\*This display size range is simply a guideline for product selection. Displays larger than the screen size range may still be compatible as long as they fall within the VESA® pattern and max weight of the Peerless-AV® product.

Please visit [peerless-av.com/en-us/patents](http://peerless-av.com/en-us/patents) for patent information.

For expanded product information and technical data visit [peerless-av.com](http://peerless-av.com)

#### TECHNICAL DRAWINGS



To verify mount compatibility with any display or projector model use MountFinder™ at [peerless-av.com](http://peerless-av.com).

630-375-5100 | 800-865-2112 | [info@peerless-av.com](mailto:info@peerless-av.com) | [peerless-av.com](http://peerless-av.com)

#### DISPLAY MOUNTS



#### MODELS

Includes standard hardware (hex or Phillips) for attaching display to mount

#### Universal Models:

**SUA761PU\*** Gloss black

\*Designed for use with displays that are less than 3" (76mm) deep

#### DISPLAY ADAPTOR

Mounting Pattern	(W x H)
Universal Models:	600 x 400mm (23.62" x 15.75")
VESA® Pattern	
Universal Models:	200 x 100 to 600 x 400mm

#### SPECIFICATIONS

Distance from Wall	1.85"-24.85" (47-631mm)
Tilt   Swivel   Roll	+15/-5°   ±90°   ±5°
Max Load	80lb (36kg)
Product Dimensions (W x H x D)	24.37" x 16.94" x 1.85"-24.85" (619 x 430 x 47-631 mm)
Mounting Surfaces	Wood stud, concrete and cinder/breeze block

#### Ship Weight

23.0lb (10.4kg)

Color Packaging

#### CERTIFICATIONS



#### ACCESSORIES

- ACC925:** Security Fasteners ..... pg# 234
- ACC-UCM:** Universal AV Component Mount..... pg# 218
- ESHV models:** AV Wall Shelves ..... pg# 211
- IBA2(-W), IBA2AC(-W), IBA3(-W), IBA3AC(-W):** Recessed Cable Management and Power Storage Accessory Box ... pg# 227
- IBA4-W:** Easy Mount Recessed Low Voltage Cable Plate ..... pg# 227
- IBA5-W:** Recessed Low Voltage Media Plate with Duplex Surge Suppressor... pg# 227
- WSP756:** Metal Stud Wall Plate..... pg# 233



## DISPLAY MOUNTS



### MODELS

Includes standard hardware (hex or Phillips) for attaching display to mount

#### Universal Models:

**SUA771PU\***    Gloss black

\* Designed for use with displays that are less than 3" (76mm) deep

### DISPLAY ADAPTOR



#### Mounting Pattern (W x H)

Universal Models: 800 x 400mm  
(31.50" x 15.75")



#### VESA® Pattern

Universal Models: 200 x 100 to 800 x 400mm

### SPECIFICATIONS



#### Distance from Wall

1.85"-24.85" (47-631mm)



#### Tilt | Swivel | Roll

+15/-5° | ±72.5° | ±5°



#### Max Load

125lb (57kg)

#### Product Dimensions (W x H x D)

32.25" x 17.39" x 1.85"-24.85"  
(819 x 442 x 47-631mm)

#### Mounting Surfaces

Wood stud, concrete  
and cinder/breeze block

#### Ship Weight



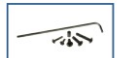
29.0lb (13.2kg)

Color Packaging

### CERTIFICATIONS



### ACCESSORIES



**ACC925:**  
Security Fasteners ..... pg# 234



**ACC-UCM:**  
Universal AV  
Component Mount..... pg# 218



**ESHV models:**  
AV Wall Shelves ..... pg# 211



**IBA2(-W), IBA2AC(-W),  
IBA3(-W), IBA3AC(-W):**  
Recessed Cable Management and  
Power Storage Accessory Box ... pg# 227



**IBA4-W:**  
Easy Mount Recessed  
Low Voltage Cable Plate ..... pg# 227



**IBA5-W:**  
Recessed Low Voltage Media Plate  
with Duplex Surge Suppressor... pg# 227

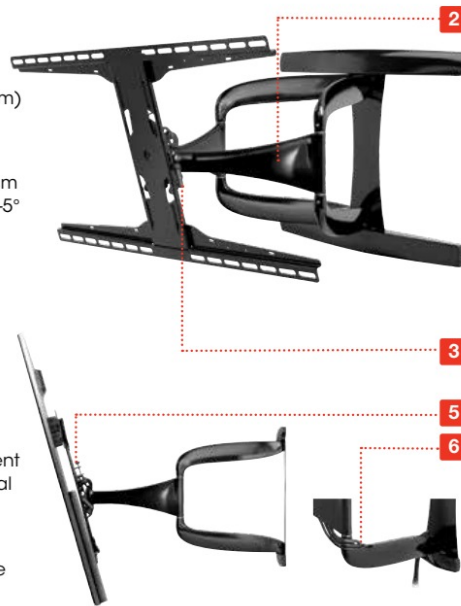


**WSP756:**  
Metal Stud Wall Plate..... pg# 233

# Designer Series™ Universal Ultra Slim Articulating Wall Mount

For 42" to 90" Ultra-Thin Displays\*

1. Dual-arm design enhances the stability of the articulating motion
2. Arm retracts to 1.85" (47mm) and extends up to 24.85" (631mm) from wall
3. One-Touch™ tilt mechanism allows adjustment of +15/-5° without the use of tools
4. Up to ±72.5° of side-to-side swivel
5. Up to ±0.5" (13mm) of vertical adjustment for post-installation leveling and height adjustment fine-tuning
6. Internal cable management provides clean, professional installation finish
7. Landscape or portrait mounting options increase display versatility
8. The I-Shaped Adaptor plate's innovative design helps avoid blocking connections on back of display



AWARD-WINNING  
SOLUTION

Dealerscope **2017**  
**IMPACT!**  
awards

#### Display Mounting Requirements

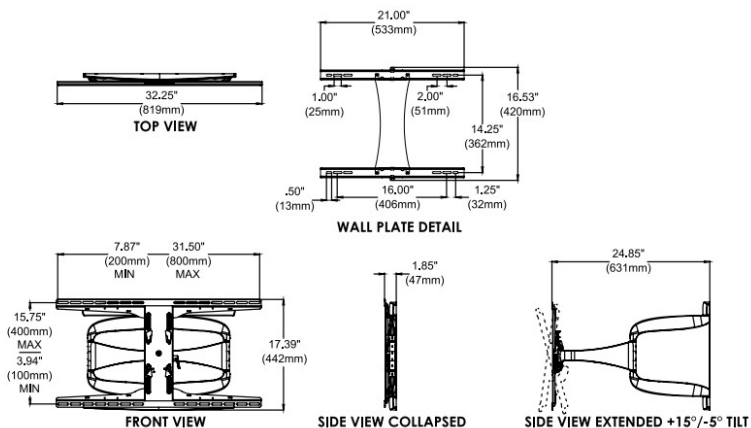
1. Designed for use with displays that are less than 3" (76mm) deep.
2. The display must have a flat mounting surface, or mounting holes need to be on the furthest back surface of the display.

\*This display size range is simply a guideline for product selection. Displays larger than the screen size range may still be compatible as long as they fall within the VESA® pattern and max weight of the Peerless-AV® product.

Please visit [peerless-av.com/en-us/patents](http://peerless-av.com/en-us/patents) for patent information.

### TECHNICAL DRAWINGS

For expanded product information and technical data visit [peerless-av.com](http://peerless-av.com)



To verify mount compatibility with any display or projector model use MountFinder™ at [peerless-av.com](http://peerless-av.com).

630-375-5100 | 800-865-2112

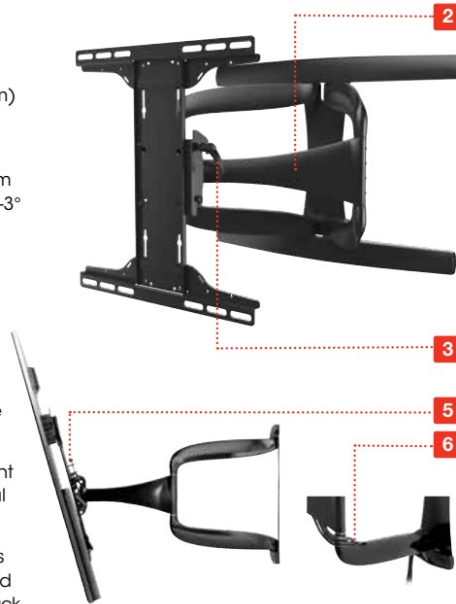
info@peerless-av.com

peerless-av.com

# Designer Series™ Universal Ultra Slim Articulating Wall Mount

For 55" TO 77" OLED/QLED DISPLAYS\*

1. Dual-arm design enhances the stability of the articulating motion
2. Arm retracts to 2.87" (73mm) and extends up to 25.87" (657mm) from wall
3. One-Touch™ tilt mechanism allows adjustment of +10°/-3° without the use of tools
4. Up to ±72.5° of side-to-side swivel
5. Added ±5° of roll for post-installation display leveling without the use of tools
6. Optional roll lock keeps the display locked at 0°
7. Internal cable management provides clean, professional installation finish
8. The I-Shaped Adaptor plate's innovative design helps avoid blocking connections on back of display



### Display Mounting Requirements

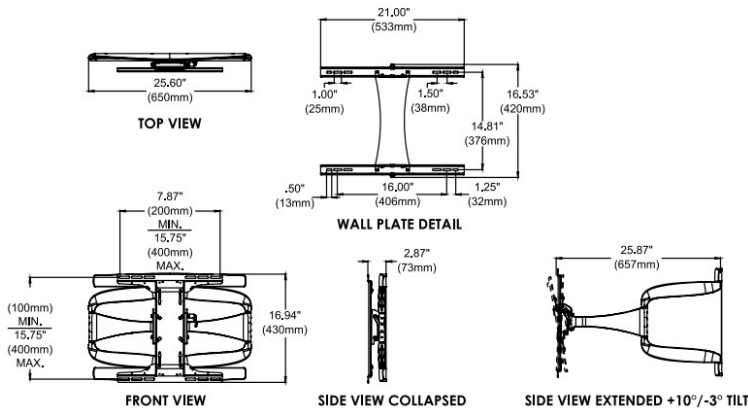
1. Designed for use with displays that are less than 3" (76mm) deep.
2. The display must have a flat mounting surface, or mounting holes need to be on the furthest back surface of the display.

\*This display size range is simply a guideline for product selection. Displays larger than the screen size range may still be compatible as long as they fall within the VESA® pattern and max weight of the Peerless-AV® product.

Please visit [peerless-av.com/en-us/patents](http://peerless-av.com/en-us/patents) for patent information.

For expanded product information and technical data visit [peerless-av.com](http://peerless-av.com)

### TECHNICAL DRAWINGS



To verify mount compatibility with any display or projector model use MountFinder™ at [peerless-av.com](http://peerless-av.com).

630-375-5100 | 800-865-2112 | [info@peerless-av.com](mailto:info@peerless-av.com) | [peerless-av.com](http://peerless-av.com)

### DISPLAY MOUNTS



### MODELS

Includes standard hardware (hex or Phillips) for attaching display to mount

#### Universal Models:

**OSUA771PU\*** Gloss black

\*Designed for use with displays that are less than 3" (76mm) deep

### DISPLAY ADAPTOR

Mounting Pattern (W x H)
Universal Models: 400 x 400mm (15.75" x 15.75")

VESA® Pattern
Universal Models: 200 x 100 to 400 x 400mm

### SPECIFICATIONS

Distance from Wall
2.87"-25.87" (73-657mm)

Tilt   Swivel   Roll
+10°/-3°   ±72.5°   ±5°

Max Load
125lb (57kg)

Product Dimensions (W x H x D)
25.60" x 16.94" x 2.87"-25.87" (650 x 430 x 73-657mm)

Mounting Surfaces
Wood stud, concrete and cinder/breeze block

Ship Weight
30.8lb (14.0kg)



Color Packaging

### CERTIFICATIONS



### ACCESSORIES

**ACC925:** Security Fasteners ..... pg# 234

**ACC-UCM:** Universal AV Component Mount..... pg# 218

**ESHV models:** AV Wall Shelves ..... pg# 211

**IBA2(-W), IBA2AC(-W), IBA3(-W), IBA3AC(-W):** Recessed Cable Management and Power Storage Accessory Box ... pg# 227

**IBA4-W:** Easy Mount Recessed Low Voltage Cable Plate ..... pg# 227

**IBA5-W:** Recessed Low Voltage Media Plate with Duplex Surge Suppressor... pg# 227

**WSP756:** Metal Stud Wall Plate ..... pg# 233

## DISPLAY MOUNTS



### MODELS

Includes standard hardware (hex or Phillips) for attaching display to mount

**IM747PU\*** Mount: Gloss Black  
In-wall Box: Gloss White

\* Designed for use with displays that are less than 3" (76mm) deep

### DISPLAY ADAPTOR

Mounting Pattern	(W x H)
Universal Models:	400 x 400mm (15.75" x 15.75")

VESA® Pattern	
Universal Models:	200 x 100 to 400 x 400mm

### SPECIFICATIONS

Distance from Wall
1.94"-25.03"(49-636mm)

Tilt   Swivel   Roll
+15/-5°   ±90°   ±5°

Max Load
Articulating Mount: 80lb (36kg) In-Wall Box: 25lb (11.3kg)

Product Dimensions	(W x H x D)
20.75" x 17.75" x 5.90"-28.90" (527 x 451 x 150-734mm)	

Mounting Surfaces
Wood stud, concrete and cinder/breeze block

Ship Weight
40.0lb (18.1kg)

### CERTIFICATIONS



### ACCESSORIES

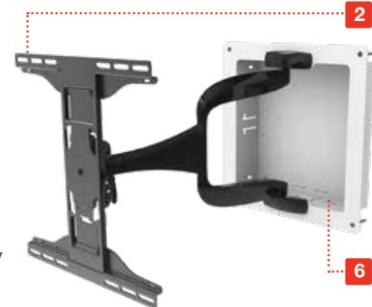


**IBMP:**  
In-Wall Box Component Panel  
Contact Peerless-AV Customer Care for more information.

# Articulating Mount Designer Series™ with In-Wall Box

For 37" to 65" Ultra-Thin Displays\*

- Includes Articulating Mount with 400 x 400mm VESA® adaptors
- I-shaped adaptor plate helps avoid blocking connections on the back of display
- Up to ±0.5" (13mm) of vertical adjustment for post-installation leveling and height adjustment fine-tuning
- Landscape or portrait mounting options increases display versatility
- Installs between 16" (406mm) stud centers, to a single stud, or directly into a drywall opening
- Knock-outs for 3/4", 1.0", 1.25" and 1.5" conduit provide the ability to mount up to four single gang outlets; Compatible with RACO 420 gang box or equivalent
- Cut-out dimensions: 14.4" x 14.4" (365 x 365mm)
- Adjustable Trim Ring allows use of 3/8" - 3/4" drywall thickness
- Integrated cable tie locations
- Low profile design provides an ADA compliant solution when used with displays 2" thick or less



#### Display Mounting Requirements

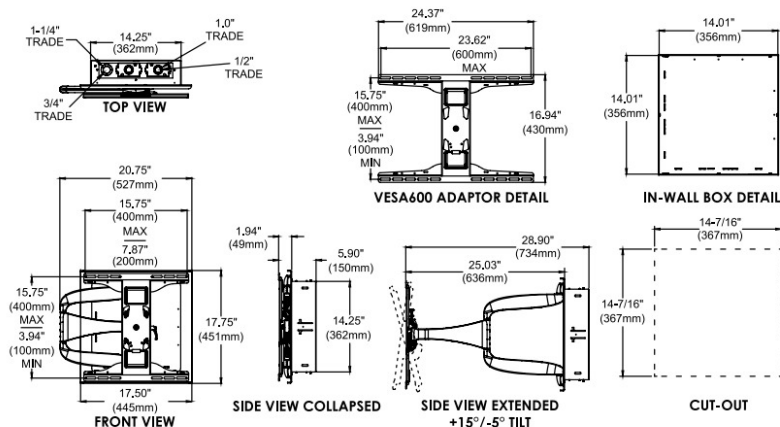
- Designed for use with displays that are less than 3" (76mm) deep.
- The display must have a flat mounting surface, or mounting holes need to be on the furthest back surface of the display.

\*This display size range is simply a guideline for product selection. Displays larger than the screen size range may still be compatible as long as they fall within the VESA® pattern and max weight of the Peerless-AV® product.

Please visit [peerless-av.com/en-us/patents](http://peerless-av.com/en-us/patents) for patent information.

### TECHNICAL DRAWINGS

For expanded product information and technical data visit [peerless-av.com](http://peerless-av.com)



To verify mount compatibility with any display or projector model use MountFinder™ at [peerless-av.com](http://peerless-av.com).



630-375-5100 | 800-865-2112



[info@peerless-av.com](mailto:info@peerless-av.com)



[peerless-av.com](http://peerless-av.com)

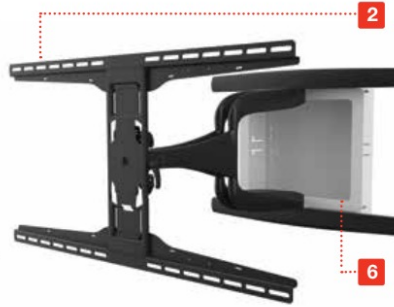


# Articulating Mount with In-Wall Box

## Designer Series™

For 42" to 90" Ultra-Thin Displays \*

1. Includes Articulating Mount with 800 x 400mm VESA® adaptors
2. I-shaped adaptor plate helps avoid blocking connections on the back of display
3. Up to ±0.5" (13mm) of vertical adjustment for post-installation leveling and height adjustment fine-tuning
4. Landscape or portrait mounting options increases display versatility
5. Installs between 16" (406mm) stud centers, to a single stud, or directly into a drywall opening
6. Knock-outs for 3/4", 1.0", 1.25" and 1.5" conduit provide the ability to mount up to four single gang outlets; Compatible with RACO 420 gang box or equivalent
7. Cut-out dimensions: 14.4" x 14.4" (365 x 365mm)
8. Adjustable Trim Ring allows use of 3/8" - 3/4" drywall thickness
9. Integrated cable tie locations
10. Low profile design provides an ADA compliant solution when used with displays 2" thick or less



10

### Display Mounting Requirements

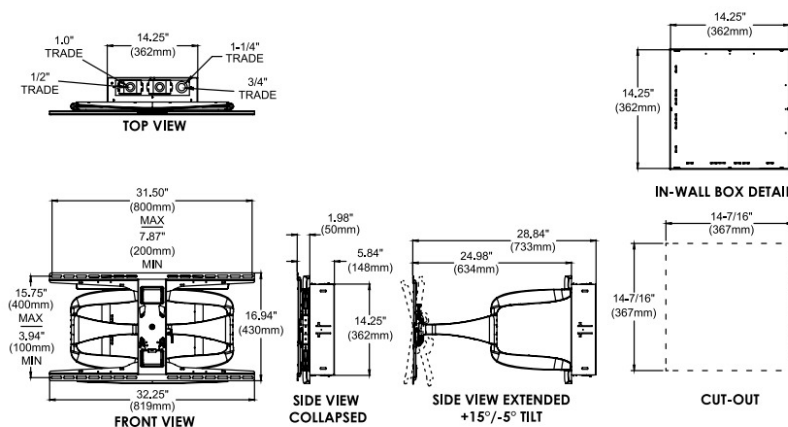
1. Designed for use with displays that are less than 3" (76mm) deep.
2. The display must have a flat mounting surface, or mounting holes need to be on the furthest back surface of the display.

\*This display size range is simply a guideline for product selection. Displays larger than the screen size range may still be compatible as long as they fall within the VESA® pattern and max weight of the Peerless-AV® product.

Please visit [peerless-av.com/en-us/patents](http://peerless-av.com/en-us/patents) for patent information.

For expanded product information and technical data visit [peerless-av.com](http://peerless-av.com)

## TECHNICAL DRAWINGS



To verify mount compatibility with any display or projector model use MountFinder™ at [peerless-av.com](http://peerless-av.com).

630-375-5100 | 800-865-2112 | [info@peerless-av.com](mailto:info@peerless-av.com) | [peerless-av.com](http://peerless-av.com)

## DISPLAY MOUNTS



### MODELS

Includes standard hardware (hex or Phillips) for attaching display to mount

#### Universal Models:

**IM771PU\*** Mount: Gloss Black  
In-wall Box: Gloss White

\* Designed for use with displays that are less than 3" (76mm) deep

### DISPLAY ADAPTOR

Mounting Pattern (W x H)
Universal Models: 800 x 400mm (31.50" x 15.75")

VESA® Pattern
Universal Models: 200 x 100 to 800 x 400mm

### SPECIFICATIONS

Distance from Wall
1.98"-24.98" (50-634mm)

Tilt   Swivel   Roll
+15/-5°   ±90°   ±5°

Max Load
Articulating Mount: 125lb (56.7kg) In-Wall Box: 25lb (11.3kg)

Product Dimensions (W x H x D)
32.25" x 16.94" x 5.84"-28.84" (819 x 430 x 148-733mm)

Mounting Surfaces
Wood stud, concrete and cinder/breeze block

Ship Weight
39.6lb (18.0kg)

### CERTIFICATIONS



### ACCESSORIES



**IBMP:**  
In-Wall Box Component Panel  
Contact Peerless-AV Customer Care for more information.

IN-WALL

## DISPLAY MOUNTS



### MODELS

Includes standard hardware (hex or Phillips) for attaching display to mount

#### Universal Models:

<b>IB14X9-W</b>	Gloss White
<b>IB14X9-AC-W</b>	Gloss White

### SPECIFICATIONS



#### Max Load

	25lb (11.3kg)
Drywall only:	10lb (4.5kg)

#### Product Dimensions (W x H x D)

15.75" x 10.56" x 3.94"  
(400 x 268 x 100mm)

#### Mounting Surfaces

Wood stud, concrete  
and cinder/breeze block

#### Ship Weight

<b>IB14X9-W:</b>	6.5lb (2.9kg)
<b>IB14X9-AC-W:</b>	6.8lb (3.1kg)

### CERTIFICATIONS



### ACCESSORIES



**IBMP:**  
In-Wall Box  
Component Panel



**IB14X9C-W:**  
In-Wall Box Cover

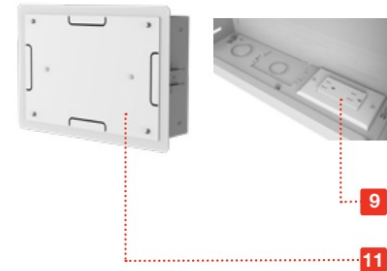
Contact Peerless-AV Customer Care  
for more information.

IN-WALL

# 14x9" In-Wall Box

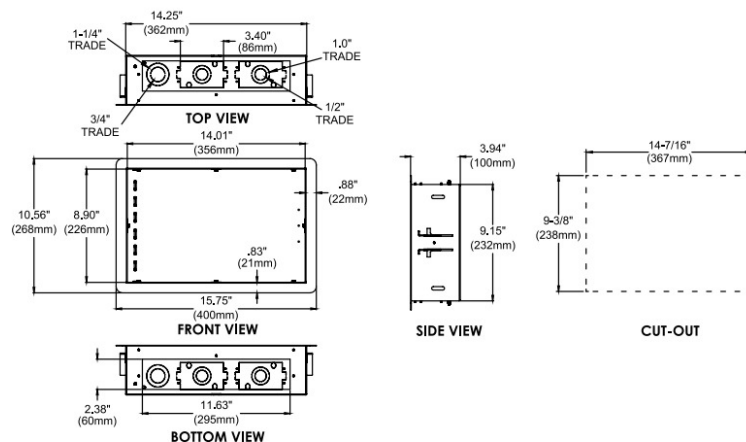
## For Recessed Power and AV Components

- Installs between 16" (406mm) stud centers, to a single stud or directly into a drywall opening
- Knock-outs for 3/4", 1.0", 1.25" and 1.5" conduit
- Cut-Out Dimensions: 14.4" x 9.4" (365 x 238mm)
- Adjustable Trim Ring allows use of 3/8" - 3/4" drywall thickness
- Knock-outs provide the ability to mount up to four single gang outlets. Compatible with RACO 420 gang box or equivalent
- Drywall clamps allows the In-Wall Box to be installed in drywall, unsupported by studs
- Removable top and bottom plates ease installation by allowing wiring terminations to take place outside of the box
- Integrated cable tie locations
- IB14X9-AC-W includes a 720 joule Leviton duplex surge protector, gang box and face plate
- UL 2416 listed
- In-Wall Box Cover is the perfect addition to clean up and secure your recessed In-Wall Box installations



### TECHNICAL DRAWINGS

For expanded product information and technical data visit [peerless-av.com](http://peerless-av.com)



To verify mount compatibility with any display or projector model use MountFinder™ at [peerless-av.com](http://peerless-av.com).



630-375-5100 | 800-865-2112



info@peerless-av.com



peerless-av.com

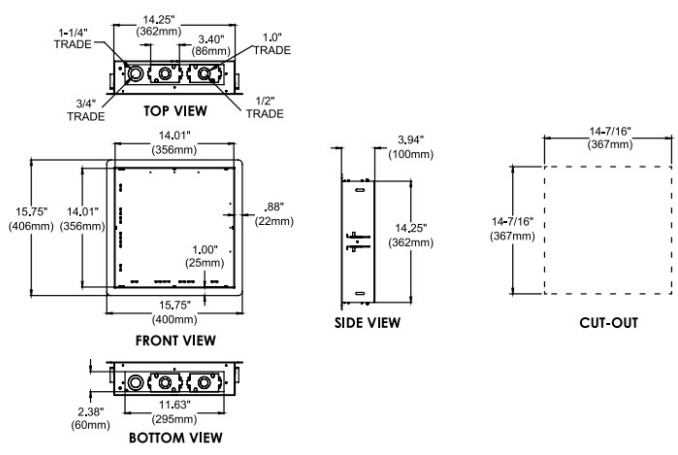
# 14x14" In-Wall Box

For Recessed Power and AV Components

- Installs between 16" (406mm) stud centers, to a single stud or directly into a drywall opening
- Knock-outs for 3/4", 1.0", 1.25" and 1.5" conduit
- Cut-Out Dimensions: 14.4" x 14.4" (365 x 365mm)
- Adjustable Trim Ring allows use of 3/8" - 3/4" drywall thickness
- Knock-outs provide the ability to mount up to four single gang outlets.
- Drywall clamps allows the In-Wall Box to be installed in drywall, unsupported by studs
- Removable top and bottom plates ease installation by allowing wiring terminations to take place outside of the box
- Integrated cable tie locations
- IB14X14-AC-W includes a 720 joule Leviton duplex surge protector, gang box and face plate
- UL 2416 listed
- In-Wall Box Cover is the perfect addition to clean up and secure your recessed In-Wall Box installations



For expanded product information and technical data visit [peerless-av.com](http://peerless-av.com) **TECHNICAL DRAWINGS**



To verify mount compatibility with any display or projector model use [MountFinder™](http://MountFinder.com) at [peerless-av.com](http://peerless-av.com).

## DISPLAY MOUNTS



### MODELS

Includes standard hardware (hex or Phillips) for attaching display to mount

**Universal Models:**

<b>IB14X14-W</b>	Gloss White
<b>IB14X14-AC-W</b>	Gloss White

### SPECIFICATIONS

Max Load	
<b>Drywall only:</b>	25lb (11.3kg) 10lb (4.5kg)
Product Dimensions (W x H x D)	
	15.75" x 15.75" x 3.94" (400 x 400 x 100mm)
Mounting Surfaces	
	Wood stud, concrete and cinder/breeze block
Ship Weight	
<b>IB14X9-W:</b>	8.1lb (3.7kg)
<b>IB14X9-AC-W:</b>	8.5lb (3.9kg)

### CERTIFICATIONS



### ACCESSORIES



**IBMP:**  
In-Wall Box Component Panel



**IB14X14C-W:**  
In-Wall Box Cover

Contact Peerless-AV Customer Care for more information.

IN-WALL



## DISPLAY MOUNTS



### MODELS

#### Universal Models:

Includes theft resistant hardware for attaching display to mount  
**DST660** Black

### DISPLAY ADAPTOR



#### VESA® Pattern

Universal Models: 200 x 100 up to 400 x 400mm

### SPECIFICATIONS



#### Distance from Wall

2.83" (72mm)



#### Tilt

+10°/-0°



#### Max Load

125lb (57kg)

#### Product Dimensions (W x H x D)

18.50" x 17.16" x 2.83"  
 (470 x 436 x 72mm)

#### Mounting Surfaces

Wood stud, metal stud, solid concrete and cinder/breeze block

#### Ship Weight

15lb (7kg)

### CERTIFICATIONS



### ACCESSORIES



#### ACC-V600X:

Adaptor accessory for 600 x 400mm mounting patterns  
 Contact Peerless-AV Customer Care for more information.



#### PLP-V models:

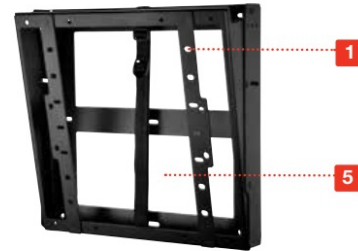
Dedicated Adaptor Plates .....pg# 151

SMARTMOUNT

# Flat/Tilt Wall Mount with Media Device Storage

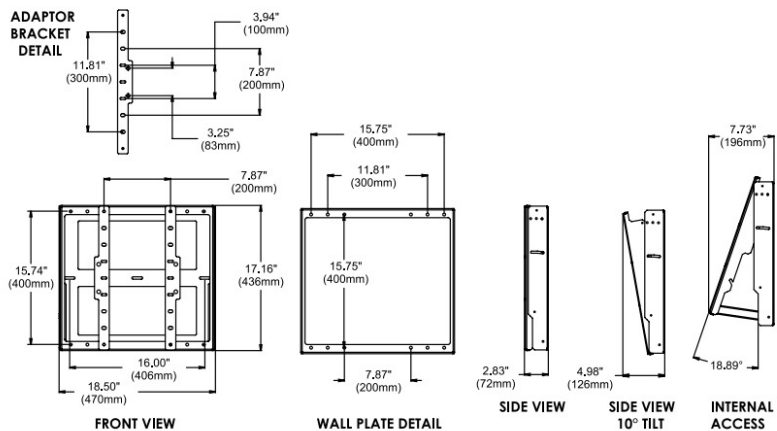
For 40" to 60" Displays

1. Compatible with VESA® mounting hole patterns from 200 x 100 up to 400 x 400mm
2. Adaptor plate compatible for VESA® patterns larger than 400 x 400mm
3. Display can be mounted in portrait or landscape
4. Continuous tilt options from 0°-10° or fixed at 0°, 3.5° and 7°
5. Accommodates media players up to 12" x 13" x 2.4"
6. The media player can be removed from the bottom if replacement, repair or maintenance is necessary without having to remove the display
7. Included security hardware deters tampering and loss



### TECHNICAL DRAWINGS

For expanded product information and technical data visit [peerless-av.com](http://peerless-av.com)



To verify mount compatibility with any display or projector model use MountFinder™ at [peerless-av.com](http://peerless-av.com).



630-375-5100 | 800-865-2112



info@peerless-av.com



peerless-av.com

# Flat/Tilt Wall or Ceiling Mount with Media Device Storage

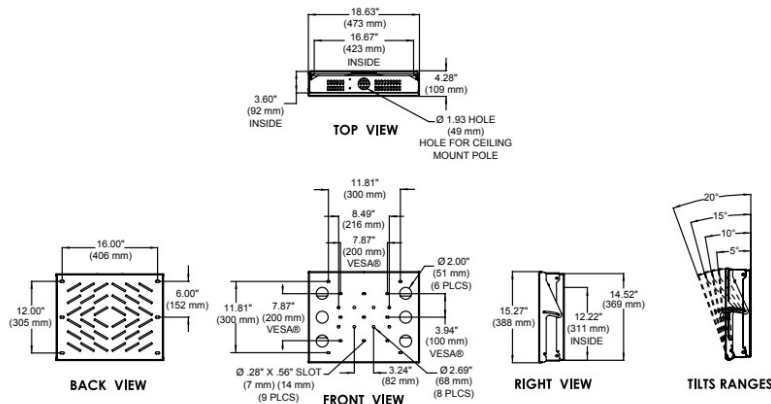
For 26" to 60" Displays

1. Ideal for wall or ceiling mounted applications
2. Universal mounting in either portrait or landscape orientation
3. Built-in swivel up to 360° allows for optimum viewing angle for ceiling mount applications only
4. Flat and tilt wall mount functionality (up to 20° tilt)
5. Available area within mount for housing a computer or media controller device 15" x 9" x 3" (381 x 229 x 76mm)
6. Mount folds open for easy access to the computer or media controller without removing the display
7. Access panel opens to a full 20° for serviceability, replacement, repair or maintenance
8. Clean profile design hides wiring and mount within enclosed wall plate
9. Built in adaptor plate supports VESA® 100 x 100, 200 x 100, 200 x 200 and 300 x 300mm
10. Works with all PLP-style VESA® mounting hole adaptor plates
11. Mounts to single stud or 16" stud centers (wall application)



For expanded product information and technical data visit [peerless-av.com](http://peerless-av.com)

## TECHNICAL DRAWINGS



To verify mount compatibility with any display or projector model use MountFinder™ at [peerless-av.com](http://peerless-av.com).

630-375-5100 | 800-865-2112 | [info@peerless-av.com](mailto:info@peerless-av.com) | [peerless-av.com](http://peerless-av.com)

## DISPLAY MOUNTS



### MODELS

#### Universal Models:

Includes theft resistant hardware for attaching display to mount

**DST360**

Black

### DISPLAY ADAPTOR



#### VESA® Pattern

Universal Models: 100 x 100 up to 300 x 300mm  
 Works with all PLP-style VESA® mounting hole adaptor plates (to be purchased separately)

### SPECIFICATIONS



#### Distance from Wall

Wall application: 4.28" (109mm)



#### Tilt

+20°/0°



#### Max Load

150lb (68kg)

#### Product Dimensions (W x H x D)

18.63" x 15.27" x 4.28"  
 (473 x 388 x 109mm)

#### Mounting Surfaces

Wall application: Wood, metal stud, concrete  
 Ceiling application: Virtually all ceiling surfaces (requires accessory)

#### Ship Weight

40.5lb (18.4kg)

### CERTIFICATIONS



### ACCESSORIES



#### ADD Models:

Ceiling Extensions ..... pg# 231



#### AEC and EXT Models:

Ceiling Extensions ..... pg# 229



#### ACC, CMJ, DCS, DCT Models:

Ceiling Plates ..... pg# 228-231



#### PLP-V models:

Dedicated Adaptor Plates ..... pg# 232



# Media Device Storage Mounts

## DS334

### Media Player Mounting Bracket

1. Accommodates media players up to 16.75" (425mm) high and up to 4.25" (108mm) deep
2. Designed to quickly attach to a variety of Peerless-AV mounting solutions (PLP adaptor plates, SF/ST630-640 and SF/ST116D/24D models)
3. Flexible housing area expands to fit a variety of media player shapes and sizes
4. Open-air design ensures ample airflow to the media player to prevent overheating

**Max Load:** 75lb (34kg)  
**Ship Weight:** 19.9lb (9kg)  
**Color:** Black



## DS496 Media Player Mounting Plate

### for Apple Mac Mini Computer

1. Attachment brackets allow for efficient and discrete placement to undersurfaces, walls, mounts and locations where fasteners are used
2. Complete enclosure provides safety and security
3. Slide cover on the back of the unit allows for quick access
4. Ventilation slots allow for airflow to prevent overheating

**Mounting Surface:** Wood stud, concrete, cinder/breeze block and metal stud (metal stud hardware included)

**Max Load:** 10lb (4.55kg)  
**Ship Weight:** 8.8lb (4kg)



## DSX750 Media Player Storage for 32" to 60" Displays

1. VESA® 100 x 100, 200 x 100 and 200 x 200mm compliant
2. Houses media control devices behind the display within an enclosure – storage space up to 10" x 12" x 2.5" (254 x 304 x 64mm)
3. Compatible with Peerless-AV pull-out wall mounts (SP850-UNL, FPS-1000, SA models)
4. Offers direct wall mount option with single-stud attachment
5. Nylon belt strap holds media player securely in place inside mount
6. Prop-open access for service

**Mounting Surface:** Wood stud, concrete and cinder/breeze block

**Max Load:** See Peerless-AV compatible product selection  
**Ship Weight:** 15lb (6.8kg)  
**Color:** Black



To verify mount compatibility with any display or projector model use MountFinder™ at [peerless-av.com](http://peerless-av.com).



630-375-5100 | 800-865-2112



[info@peerless-av.com](mailto:info@peerless-av.com)



[peerless-av.com](http://peerless-av.com)



**SMARTMOUNT.**

# Flat/Tilt Universal Ceiling Mount with Media Device Storage

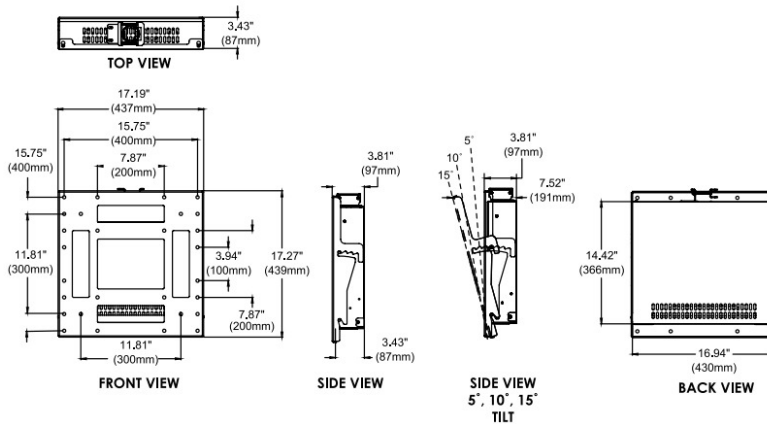
For 40" to 95" Displays

1. Universal mounting in either portrait or landscape orientation
2. Accommodates VESA® mounting patterns of 200 x 200, 300 x 300, 400 x 200, 400 x 300 and 400 x 400mm, accessory available for 600 x 400 and 800 x 400mm patterns
3. Ratchet style tilt from 0° to 15° simplifies the install
4. Available area within mount for housing a computer or media controller device 16.0" x 11.0" x 3.25" (406 x 279 x 83mm)
5. Rear cover removed for easy access to the media controller without having to remove the display
6. Internal side and top mounting locations provided for an electrical box
7. Clean design hides components and cable from view
8. Provided security screws help prevent tampering and theft



For expanded product information and technical data visit [peerless-av.com](http://peerless-av.com)

## TECHNICAL DRAWINGS



To verify mount compatibility with any display or projector model use MountFinder™ at [peerless-av.com](http://peerless-av.com).

630-375-5100 | 800-865-2112 | [info@peerless-av.com](mailto:info@peerless-av.com) | [peerless-av.com](http://peerless-av.com)

## DISPLAY MOUNTS



### MODELS

#### Universal Models:

Includes theft resistant hardware for attaching display to mount

**DST995** Black

### DISPLAY ADAPTOR



#### VESA® Pattern

Universal Models: 200 x 200, 300 x 300, 400 x 200, 400 x 300 and 400 x 400mm

### SPECIFICATIONS



#### Tilt

0°-15°



#### Max Load

225lb (102kg)

#### Product Dimensions (W x H x D)

17.19" x 17.27" x 3.81"  
(437 x 439 x 97mm)

#### Mounting Surfaces

Virtually all ceiling surfaces  
(requires accessory)

#### Ship Weight

20.5lb (9.3kg)

### CERTIFICATIONS

**RoHS**  
COMPLIANT

**TAA**  
COMPLIANT

### ACCESSORIES



#### ADD Models:

Ceiling Extensions ..... pg# 231



#### AEC and EXT Models:

Ceiling Extensions ..... pg# 229



#### ACC-V600X:

Adaptor accessory for 600 x 400mm mounting patterns



#### ACC-V900X:

Adaptor accessory for 800 x 400 and 900 x 600mm mounting patterns

Contact Peerless-AV Customer Care for more information.

MULTI-DISPLAY & CEILING MOUNTS

## DISPLAY MOUNTS



### MODELS

Dedicated Models:

**PLB-1** Black

### DISPLAY ADAPTOR

Dedicated Models: 75 x 100mm  
Additional adaptor can be purchased separately.

### SPECIFICATIONS

	<b>Distance from Ceiling</b>	Varies depending on ceiling plate and extension column used.
	<b>Tilt   Swivel</b>	+20°/-5°   360°
	<b>Max Load</b>	300lb (136kg) 150lb (68.2kg) per display
<b>Product Dimensions</b>	<b>(W x H x D)</b>	5.60" x 5.22" x 8.82" (142 x 133 x 224mm)
<b>Mounting Surfaces</b>		Virtually all ceiling structures (Requires accessory)
<b>Ship Weight</b>		6.0lb (2.7kg)

### CERTIFICATIONS



### ACCESSORIES

	<b>DCS, DCT Models:</b> Ceiling Plates ..... pg# 228-231
	<b>ADD Models:</b> Ceiling Extensions ..... pg# 231
	<b>AEC and EXT Models*:</b> Ceiling Extensions ..... pg# 229 <small>* Excluding EXT002, EXT006 and AEC609</small>
	<b>PLP-UNL:</b> Universal I-Shaped Adaptor for 32" to 90" Displays ..... pg# 232
	<b>PLP-UNM:</b> Universal I-Shaped Adaptor for 22" to 60" Displays ..... pg# 232
	<b>ACC450:</b> Adaptor Bracket for 22" to 40" Displays ..... pg# 232
	<b>ACC918:</b> Security Fasteners ..... pg# 234

# Back-to-Back Ceiling Mount

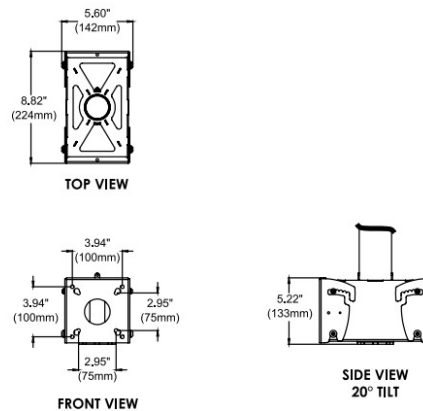
For up to 90" Displays

1. Entire unit swivels 360° with swivel-stop feature
2. +20°/-5° adjustable tilt for each display
3. Mount display in landscape or portrait orientation
4. Requires extension column and ceiling plate, sold separately
5. Includes VESA® 100 x 100mm mounting pattern or can be equipped with universal or display specific adaptors (additional adaptors & display mounting hardware sold separately)
6. Simple hook-on display installation



### TECHNICAL DRAWINGS

For expanded product information and technical data visit [peerless-av.com](http://peerless-av.com)



To verify mount compatibility with any display or projector model use MountFinder™ at [peerless-av.com](http://peerless-av.com).

630-375-5100 | 800-865-2112 | [info@peerless-av.com](mailto:info@peerless-av.com) | [peerless-av.com](http://peerless-av.com)

SMARTMOUNT.

# Back-to-Back Ceiling Mount with Media Device Storage

For 40" to 65" Displays

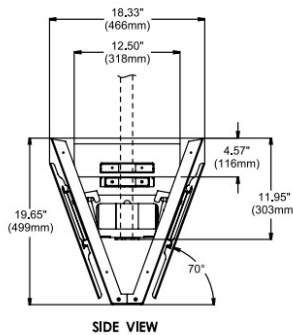
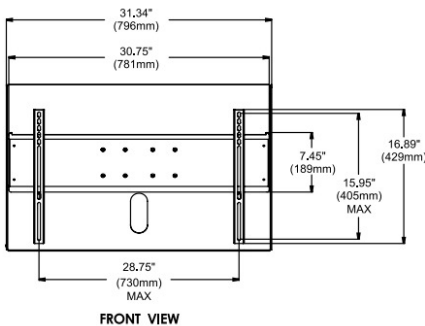
1. Holds two displays back-to-back at a 20° fixed tilt
2. Removable side panels for easy maintenance
3. Two component shelves provide storage for standard size computers
4. Cords are routed through the column for a clean appearance
5. Comes standard with Peerless-AV universal mounting brackets
6. Security hardware to deter tampering and loss



Please visit [peerless-av.com/en-us/patents](http://peerless-av.com/en-us/patents) for patent information.

For expanded product information and technical data visit [peerless-av.com](http://peerless-av.com)

## TECHNICAL DRAWINGS



To verify mount compatibility with any display or projector model use MountFinder™ at [peerless-av.com](http://peerless-av.com).

630-375-5100 | 800-865-2112

info@peerless-av.com

[peerless-av.com](http://peerless-av.com)

## DISPLAY MOUNTS



### MODELS

#### Universal Models:

Includes theft resistant hardware for attaching display to mount

**DST965** Black

### DISPLAY ADAPTOR



#### Mounting Pattern (W x H)

Universal Models: 730 x 405mm  
(28.75" x 15.95")



#### VESA® Pattern

Universal Models: 200 x 200 up to 600 x 400mm

### SPECIFICATIONS



#### Tilt

20° fixed



#### Max Load

300lb (136kg)  
150lb (68kg) per display

#### Product Dimensions (W x H x D)

31.34" x 19.65" x 18.33"  
(796 x 499 x 466mm)

#### Mounting Surfaces

Virtually all ceiling surfaces  
(requires accessory)

#### Ship Weight

85lb (39kg)

### CERTIFICATIONS



### ACCESSORIES



#### ADD Models:

Ceiling Extensions ..... pg# 231



#### AEC and EXT Models:

Ceiling Extensions ..... pg# 229



#### DCS, DCT Models:

Ceiling Plates ..... pg# 228-231

MULTI-DISPLAY & CEILING MOUNTS



DISPLAY MOUNTS



MODELS

Universal Models:

Includes theft resistant hardware for attaching display to mount  
**DST970X2** Black

DISPLAY ADAPTOR



Mounting Pattern (W x H)

Universal Models: 600 x 400mm  
 (23.62" x 15.75")

SPECIFICATIONS



Tilt

0°-20°



Max Load

250lb (113kg)  
 125lb (57kg) per display

Product Dimensions (W x H x D)

68.37" x 16.75" x 4.42"  
 (1737 x 425 x 112mm)

Mounting Surfaces

Virtually all ceiling surfaces  
 (requires accessory)

Ship Weight

62lb (28.1kg)

CERTIFICATIONS



ACCESSORIES



**ACC-UCM:**  
 Universal AV  
 Component Mount..... pg# 218



**ADD Models:**  
 Ceiling Extensions ..... pg# 231



**AEC and EXT Models:**  
 Ceiling Extensions ..... pg# 229



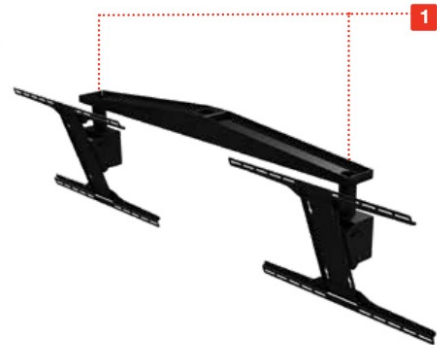
**ACC, CMJ, DCS, DCT Models:**  
 Ceiling Plates ..... pg# 228-231

MULTI-DISPLAY &  
 CEILING MOUNTS

# Dual-Display Ceiling Mount

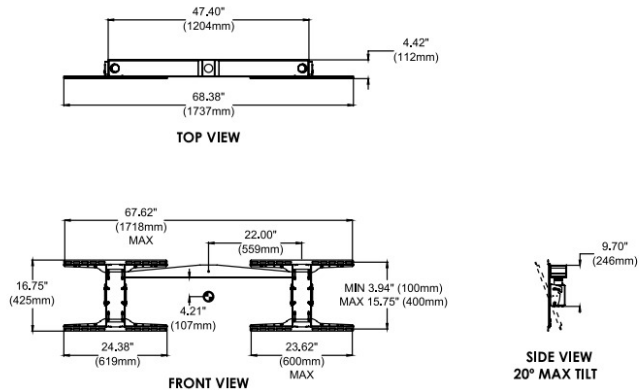
For 40" to 70" Displays

1. Independent swivel and tilt allows each display to be set at the perfect viewing angle
2. Included universal adaptor plate will accommodate most displays in the 40"-70" range
3. Compatible with an extensive line of Peerless-AV fixed length and adjustable extension columns
4. Simple hook on display attachment makes set-up quick and easy



TECHNICAL DRAWINGS

For expanded product information and technical data visit [peerless-av.com](http://peerless-av.com)



To verify mount compatibility with any display or projector model use MountFinder™ at [peerless-av.com](http://peerless-av.com).



630-375-5100 | 800-865-2112



info@peerless-av.com

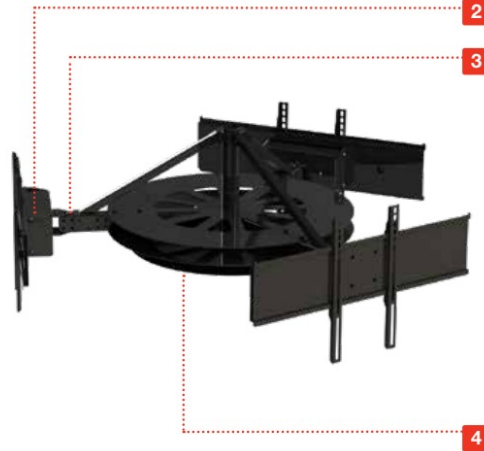


peerless-av.com

# Multi-Display Ceiling Mount with Three Telescoping Arms

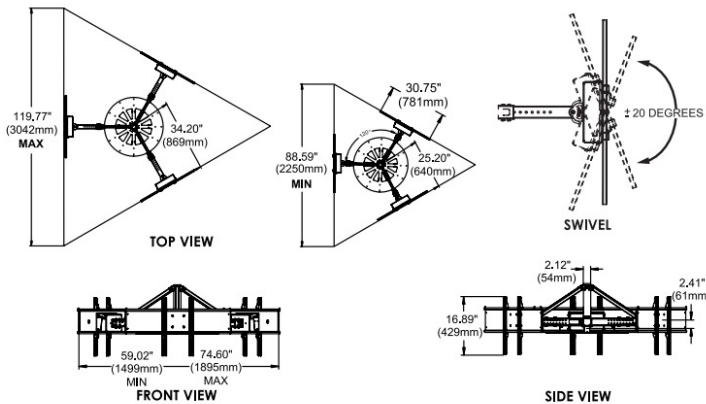
For 37" to 80" Displays

1. Universal mount fits displays with mounting patterns up to 730 x 405mm (28.75"W x 15.95"H)
2. 0° to 20° of tilt and 360° of swivel at time of installation
3. Arms telescope to allow for the desired display spacing
4. Bottom cover provides aesthetically pleasing cable management



For expanded product information and technical data visit [peerless-av.com](http://peerless-av.com)

## TECHNICAL DRAWINGS



To verify mount compatibility with any display or projector model use MountFinder™ at [peerless-av.com](http://peerless-av.com).

630-375-5100 | 800-865-2112 | [info@peerless-av.com](mailto:info@peerless-av.com) | [peerless-av.com](http://peerless-av.com)

## DISPLAY MOUNTS



### MODELS



#### Universal Models:

Includes theft resistant hardware for attaching display to mount  
**DST980-3** Black

### DISPLAY ADAPTOR

Mounting Pattern (W x H)
Universal Models: 730 x 405mm (28.75" x 15.95")

### SPECIFICATIONS

 Tilt   Swivel	0°-20°   360°
 Max Load	495lb (225kg) 165lb (75kg) per display
Product Dimensions (W x H x D)	59.00" x 21.80" x 59.00" (1499 x 554 x 1499mm)
Mounting Surfaces	Virtually all ceiling surfaces (requires accessory)
Ship Weight	140lb (63.6kg)

### CERTIFICATIONS



### ACCESSORIES



#### ADD Models:

Ceiling Extensions ..... pg# 231



#### DCS, DCT Models:

Ceiling Plates ..... pg# 228-231

### AWARD-WINNING SOLUTION



DISPLAY MOUNTS



MODELS

Universal Models:

Includes theft resistant hardware for attaching display to mount  
**DST975-4** Black

DISPLAY ADAPTOR



Mounting Pattern (W x H)

Universal Models: 730 x 405mm  
 (28.75" x 15.95")

SPECIFICATIONS



Tilt

0°-20°



Max Load

500lb (227kg)  
 125lb (57kg) per display

Product Dimensions (W x H x D)

51.20" x 21.80" x 51.20"  
 (1300 x 554 x 1300mm)

Mounting Surfaces

Virtually all ceiling surfaces  
 (requires accessory)

Ship Weight

164lb (74.5kg)

CERTIFICATIONS



ACCESSORIES



ADD Models:

Ceiling Extensions ..... pg# 231



DCS, DCT Models:

Ceiling Plates ..... pg# 228-231

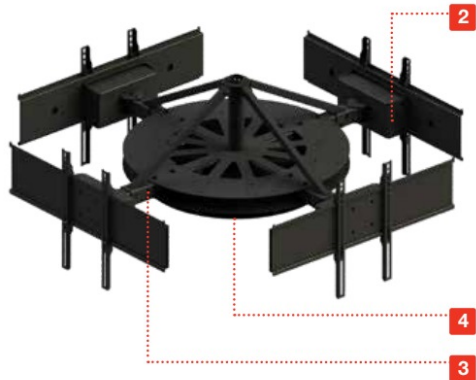
AWARD-WINNING SOLUTION



# Multi-Display Ceiling Mount with Four Telescoping Arms

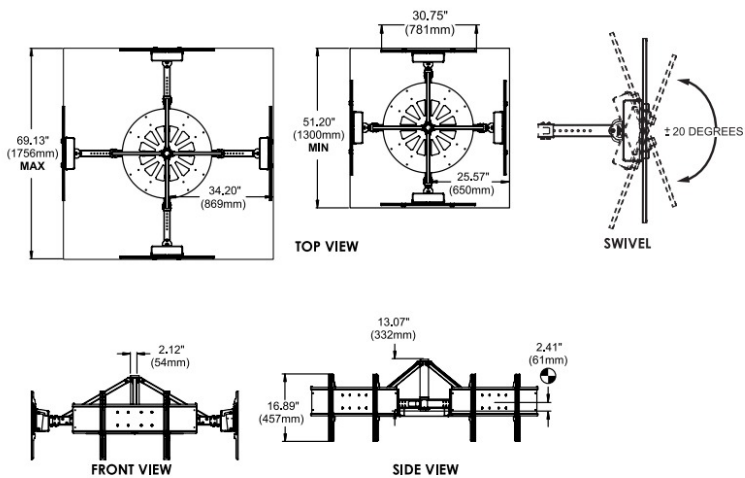
For 37" to 75" Displays

1. Universal mount fits displays with mounting patterns up to 730 x 405mm (28.75"W x 15.95"H)
2. 0° to 20° of tilt and 360° of swivel at time of installation
3. Arms telescope to allow for the desired display spacing
4. Bottom cover provides aesthetically pleasing cable management



TECHNICAL DRAWINGS

For expanded product information and technical data visit [peerless-av.com](http://peerless-av.com)



To verify mount compatibility with any display or projector model use MountFinder™ at [peerless-av.com](http://peerless-av.com).

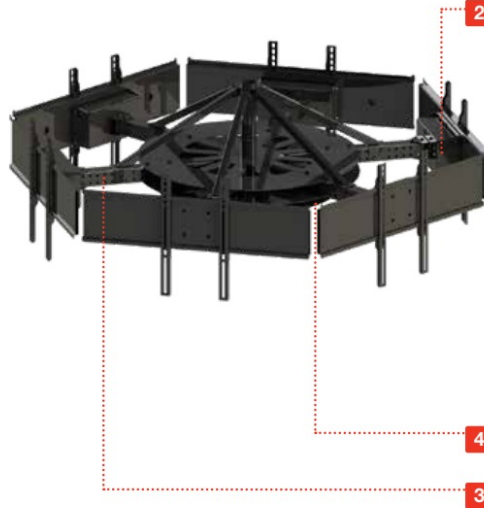
630-375-5100 | 800-865-2112 | [info@peerless-av.com](mailto:info@peerless-av.com) | [peerless-av.com](http://peerless-av.com)



# Multi-Display Ceiling Mount with Six Telescoping Arms

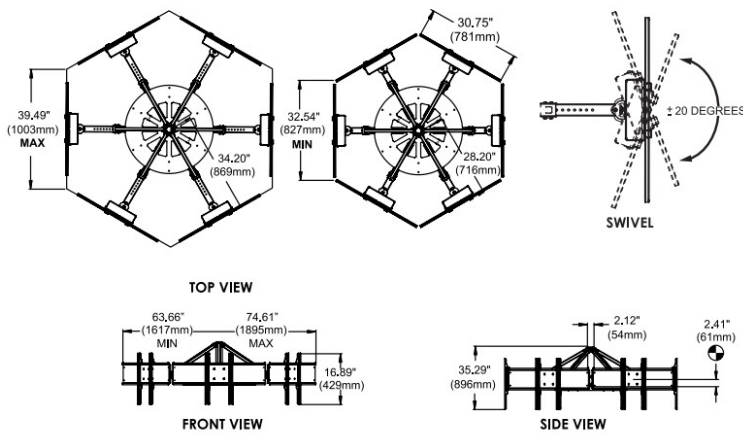
For 37" to 42" Displays

1. Universal mount fits displays with mounting patterns up to 730 x 405mm (28.75"W x 15.95"H)
2. 0° to 20° of tilt and 360° of swivel at time of installation
3. Arms telescope to allow for the desired display spacing
4. Bottom cover provides aesthetically pleasing cable management



For expanded product information and technical data visit [peerless-av.com](http://peerless-av.com)

## TECHNICAL DRAWINGS



## DISPLAY MOUNTS



### MODELS

#### Universal Models:

Includes theft resistant hardware for attaching display to mount  
**DST942-6** Black

### DISPLAY ADAPTOR

Mounting Pattern (W x H)
Universal Models: 730 x 405mm (28.75" x 15.95")

### SPECIFICATIONS

	<b>Tilt</b>
	0°-20°
	<b>Max Load</b>
	480lb (218kg) 80lb (36kg) per display
<b>Product Dimensions (W x H x D)</b>	
56.40" x 21.80" x 56.40" (1433 x 554 x 1433mm)	
<b>Mounting Surfaces</b>	
Virtually all ceiling surfaces (requires accessory)	
<b>Ship Weight</b>	
215lb (97.7kg)	

### CERTIFICATIONS



### ACCESSORIES



#### ADD Models:

Ceiling Extensions ..... pg# 231



#### DCS, DCT Models:

Ceiling Plates ..... pg# 228-231

### AWARD-WINNING SOLUTION



To verify mount compatibility with any display or projector model use MountFinder™ at [peerless-av.com](http://peerless-av.com).

630-375-5100 | 800-865-2112 | [info@peerless-av.com](mailto:info@peerless-av.com) | [peerless-av.com](http://peerless-av.com)

## DISPLAY MOUNTS



### MODELS

#### Dedicated Models:

Display adaptor purchased separately\*

<b>MDJ700</b>	In-line Display	Black
<b>MDJ710</b>	In-line Display	Black
<b>MDJ720</b>	In-line Display	Black
<b>MDJ701</b>	Curvilinear Display	Black
<b>MDJ711</b>	Curvilinear Display	Black
<b>MDJ721</b>	Curvilinear Display	Black

\*Dedicated adaptor plates come in flat black and include security fasteners

### DISPLAY ADAPTOR

**Dedicated Models:** Requires display-specific adaptor to be purchased separately.

### SPECIFICATIONS

	<b>Distance from Ceiling</b>	1'-12" (305-3658mm) Varies depending on ceiling plate and extension column used.
	<b>Tilt   Swivel</b>	+20°   360°
	<b>Max Load</b>	600-1200lb (272-545kg) Depending on ceiling attachments used.
	<b>Product Dimensions (Pipe Length)</b>	
	MDJ700/701:	120" (3048mm)
	MDJ710/711:	180" (4572mm)
	MDJ720/721:	240" (6096mm)

### CERTIFICATIONS



### ACCESSORIES

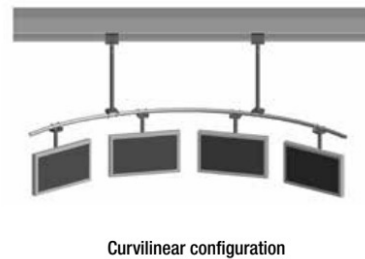
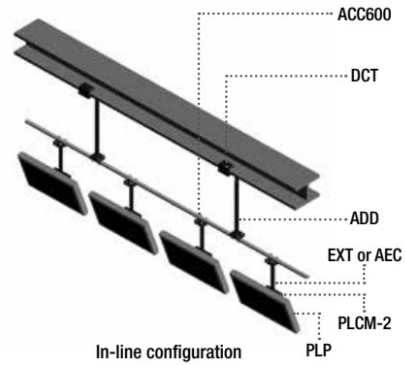
	<b>ACC-UCM:</b> Universal AV Component Mount..... pg# 218
	<b>PLCM-4:</b> Stackable Tilt Box for up to 75° Displays ..... pg# 151
	<b>PLP-UNM:</b> Universal I-Shaped Adaptor for 22" to 50" Displays ...pg# 151, 232
	<b>PLP-UNL:</b> Universal I-Shaped Adaptor for 32" to 90" Displays ...pg# 151, 232
	<b>PLP-V models:</b> Dedicated Adaptor Plates ..pg# 151, 232

See chart for components needed to complete installation ..... pg# 147

# Multi-Display Ceiling System

For 32" to 50" Displays

1. Multi-Display ceiling mount for three to four displays
2. Three different configurations: in-line, curvilinear and circular
3. Choose desired ceiling drop length and drop length of equipment from pipe
4. 0° to 20° adjustable tilt
5. 360° swivel for each display



# Required Components

## DISPLAY MOUNTS

### IN-LINE

Display Size	Number of Displays	MDJ Model	PLCM-2 Display Mount	PLP Display Adaptor Plate (See MountFinder™)	EXT or AEC Extension Column (Connects PLCM-2 to ACC600)	ACC600 Interface Bracket to MDJ Mount	ADD Support Extension Column	DCT Ceiling Decoupler
32"-37"	3	MDJ700	3	3	3	5	2	2
40"-42"	3	MDJ700	3	3	3	5	2	2
50"	3	MDJ710	3	3	3	5	2	2
32"-37"	4	MDJ700	4	4	4	6	2	2
40"-42"	4	MDJ710	4	4	4	6	2	2
50"	4	MDJ720	4	4	4	7	3	3


### CURVILINEAR

Display Size	Number of Displays	MDJ Model	PLCM-2 Display Mount	PLP Display Adaptor Plate (See MountFinder™)	EXT or AEC Extension Column (Connects PLCM-2 to ACC600)	ACC600 Interface Bracket to MDJ Mount	ADD Support Extension Column	DCT Ceiling Decoupler
32"-37"	3	MDJ701	3	3	3	5	2	2
40"-42"	3	MDJ701	3	3	3	5	2	2
50"	3	MDJ711	3	3	3	5	2	2
32"-37"	4	MDJ701	4	4	4	6	2	2
40"-42"	4	MDJ711	4	4	4	6	2	2
50"	4	MDJ721	4	4	4	7	3	3

### MULTI-DISPLAY SYSTEM COMPONENTS




Multi-Display Mount	Model	Length	Ring Diameter	Pipe Diameter	Load Capacity	Ship Weight
In-Line	MDJ700 (in-line)	120" (3048mm)	NA	1.90" OD	1000lb (453kg)	31lb (14.1kg)
	MDJ710 (in-line)	180" (4572mm)	NA	1.90" OD	1200lb (544kg)	45lb (20.4kg)
	MDJ720 (in-line)	240" (6096mm)	NA	1.90" OD	1500lb (680kg)	62lb (28.1kg)
Curvilinear	MDJ701 (curved)	120" (3048mm)	NA	1.90" OD	1000lb (453kg)	27lb (12.2kg)
	MDJ711 (curved)	180" (4572mm)	NA	1.90" OD	1200lb (544kg)	35lb (15.9kg)
	MDJ721 (curved)	240" (6096mm)	NA	1.90" OD	1500lb (680kg)	56lb (25.4kg)

Display Mount	Model	Ship Weight
	<b>PLCM-2</b> PLP display adaptor required. See MountFinder™ to verify display compatibility. <small>See page 149 for details</small>	4.6lb (2.1kg)

Multi-Display Interface Bracket	Model	Description	Load Capacity	Ship Weight
	<b>ACC600</b> <small>See page 229 for details</small>	Interfaces between flat panel mount to MDJ mount, and MDJ mount to ceiling support structure.	1200lb (544kg)	3.8lb (1.7kg)

Fixed or Adjustable Extension Columns for Attaching Mount	Model	Drop Length*
	<b>EXT/AEC models</b> <small>See page 229 for details</small>	6'-12' (152-3657mm)
<small>* Fixed length columns provide 6' to 10' (152.4-3048mm) drop lengths. Adjustable length columns provide 6' to 12' (152-3657mm) drop lengths.</small>		

Fixed or Adjustable Extension Columns for Ceiling Decouplers	Model	Drop Length*
	<b>ADD models</b> <small>See page 231 for details</small>	1'-12' (304-3657mm)
<small>* Fixed length columns provide 1' to 10' (304-3048mm) drop lengths. Adjustable length columns provide 1' to 12' (304-3657mm) drop lengths.</small>		

Ceiling Decoupler	Model	Ceiling Type	Load Capacity	Ship Weight
	<b>DCS400</b>	For structural or finished ceiling	1200lb (544kg)	7.8lb (3.5kg)
	<b>DCT300</b>	For truss ceiling	1200lb (544kg)	4.6lb (2.1kg)
	<b>DCT500</b>	For I-Beams	600lb (272kg)	9.4lb (4.3kg)
	<b>DCT600</b>	For I-Beams	600lb (272kg)	13.1lb (6kg)
	<b>DCT800</b>	For I-Beams	600lb (272kg)	14lb (6.4kg)
	<b>DCT900</b>	For I-Beams	600lb (272kg)	9lb (4.1kg)

See page 231 for details

To verify mount compatibility with any display or projector model use MountFinder™ at [peerless-av.com](http://peerless-av.com).



## DISPLAY MOUNTS



### MODELS

**Universal Models:** (See chart for display size compatibility)

Includes theft resistant hardware for attaching display to mount

**PLCM-UNL-CP** Black  
**PLCM-UNL** Black  
**PLCM-2-UNL** Black

**Dedicated Models:** (See chart for display size compatibility)

**PLCM-1** Black  
**PLCM-1CP** Black

### DISPLAY ADAPTOR



**Mounting Pattern** (W x H)

**Universal Models:** 600 x 400mm  
 (23.62" x 15.75")



**VESA® Pattern**

**Universal Models:** Up to 600 x 400mm  
**PLCM-1 (CP):** 100 x 100mm  
 Additional adaptor can be purchased separately.

### SPECIFICATIONS



**Distance from Ceiling**

See chart



**Tilt | Swivel**

+20°/-5° | 360°



**Max Load**

See chart

**Product Dimensions** (W x H x D)

See chart

**Mounting Surfaces**

Wood joist, concrete and various other applications  
 (May require accessory)

**Ship Weight**

See chart

### CERTIFICATIONS



### ACCESSORIES



**ACC450:**  
 Adaptor Bracket  
 for 22" to 40" Displays ..... pg# 232



**ACC-UCM:**  
 Universal AV  
 Component Mount..... pg# 218



**ACC, CMJ, DCS, DCT Models:**  
 Ceiling Plates ..... pg# 228-231



**PLP-V models:**  
 Dedicated Adaptor Plates ..pg# 151, 232

See pg# 149 for product accessories and compatible extension columns

# SMARTMOUNT Ceiling Mount

For up to 90" Displays

- 5° to 20° adjustable tilt and 360° swivel
- Uses standard 1.5" (38mm) NPT pipe
- Mount display in landscape or portrait orientation
- Simple hook-on display installation
- PLCM-1 (CP) includes VESA® 100 x 100mm mounting pattern or can be equipped with display specific adaptor (additional adaptor & display mounting hardware sold separately)

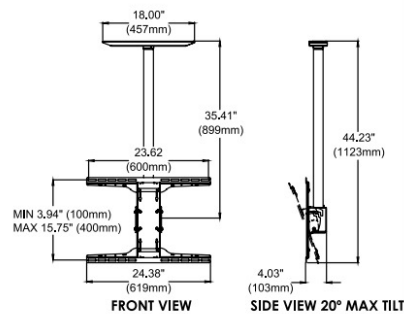


\*Antimicrobial protection is limited to the treated article and does not protect a user against disease causing bacteria. Always clean products thoroughly after each use. Visit [agion-tech.com](http://agion-tech.com) for more details.

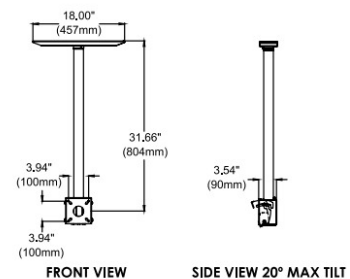
### TECHNICAL DRAWINGS

For expanded product information and technical data visit [peerless-av.com](http://peerless-av.com)

#### PLCM-UNL, PLCM-UNL-CP



#### PLCM-1, PLCM-1CP



Model	Display Size	Width	Height	Depth	Contents	Max Load	Ship Weight
PLCM-UNL-CP	32"-90"	24.38" (619mm)	44.23" (1123mm)	4.03" (103mm)	Ceiling plate, adaptor, column, tilt box	150lb (68.2kg)	16.7lb (7.59kg)
PLCM-UNL	32"-90"	24.38" (619mm)	43.23" (1098mm)	4.03" (103mm)	Adaptor, column, tilt box	150lb (68.2kg)	14.6lb (6.6kg)
PLCM-2-UNL	32"-90"	24.38" (619mm)	16.75" (425mm)	4.03" (103mm)	Adaptor, base mount	150lb (68.2kg)	9.0lb (4.09kg)
PLCM-1CP	Up to 90"	18.00" (457mm)	37.75" (959mm)	3.54" (90mm)	Ceiling plate, column, tilt box	150lb (68.2kg)	12.3lb (5.6kg)
PLCM-1	Up to 90"	5.60" (142mm)	37.00" (940mm)	3.54" (90mm)	Column, tilt box	150lb (68.2kg)	8.3lb (3.8kg)

To verify mount compatibility with any display or projector model use MountFinder™ at [peerless-av.com](http://peerless-av.com).

630-375-5100 | 800-865-2112 | [info@peerless-av.com](mailto:info@peerless-av.com) | [peerless-av.com](http://peerless-av.com)

# Single Display Ceiling Mount Components

For up to 75" Displays

## DISPLAY MOUNTS



### CEILING PLATES

#### CMJ470(W) Ceiling Plate for 16" (406mm) Joist Centers

1. Mounts to wood joists or structural concrete ceiling (requires concrete anchors ACC234/ACC244, sold separately)
  2. 1.5"-11.5 NPT (38mm) fitting for attachment of extension column
- Max Load:** 300 lb (136 kg)  
**Ship Weight:** 3.2lb (1.4kg)  
**Color:** Black or white



#### ACC570(S(W)) Round Ceiling Plate

1. Mounts to wood joist or structural concrete ceiling (requires concrete anchor ACC233 or ACC200, sold separately)
  2. Cable management access hole
  3. 1.5"-11.5 NPT (38mm) fitting for attachment of extension column
- Max Load:** 150lb (68kg)  
**Ship Weight:** 1.7lb (.8kg)  
**Color:** Black, silver or white



#### ACC-CCPHD Heavy Duty Cathedral Ceiling Adaptor

1. Mounts to cathedral or vaulted ceilings
  2. -5°/+95° of adjustment
  3. 1.5"-11.5 NPT (38mm) fitting for attachment of extension column
- Max Load:** 500lb (226.8kg)  
**Ship Weight:** 4.6lb (2.1kg)  
**Color:** Black



### EXTENSION COLUMNS

#### EXT Fixed Length Extension Columns

1. 1.5"-11.5 NPT (38mm) aluminum pipe threaded on both ends. Notched for use with screw to provide safety and security
2. Extension columns are manufactured from corrosion resistant aluminum and provide cable management access

**Max Load:** 500lb (227.3kg)  
**Color:** Black, silver or white



Model	Drop*	Ship Weight
EXT018(S(-)W)	18" (46cm)	1lb (0.4kg)
EXT101(-)W	1" (0.3m)	2lb (1.8kg)
EXT102(S(-)W)	2" (0.6m)	2lb (1.8kg)
EXT103(S)	3" (0.9m)	3lb (1.2kg)
EXT104(S(-)W)	4" (1.2m)	4lb (1.8kg)
EXT105(S(-)W)	5" (1.5m)	6lb (2.7kg)
EXT106(S(-)W)	6" (1.8m)	7lb (3.2kg)
EXT107(-)W	7" (2.1m)	7lb (3.2kg)
EXT108(S(-)W)	8" (2.4m)	8lb (3.6kg)
EXT109(-)W	9" (2.7m)	9lb (4.1kg)
EXT110(-)W	10" (3.1m)	11lb (5kg)

### TILT BOX

#### PLCM-2 Tilt Box

1. -5° to 20° adjustable tilt and 360° swivel
2. Uses standard 1.5" (38mm) NPT pipe
3. VESA® 75 and 100 mounting pattern
4. Optional adaptor plate & display mounting hardware, sold separately
5. Ceiling plates & extension columns sold separately

**Max Load:** 150lb (68kg)  
**Ship Weight:** 3.8lb (1.72kg)  
**Color:** Black



#### PLCM-4 Stackable Tilt Box

1. -5° to 20° adjustable tilt and 360° swivel
2. Mounts to 1.9" to 2" pipe
3. VESA® 75 and 100 mounting pattern
4. Optional adaptor plate & display mounting hardware, sold separately
5. Ceiling plates & extension columns sold separately

**Max Load:** 150lb (68kg)  
**Ship Weight:** 3.8lb (1.72kg)  
**Color:** Black



### DISPLAY ADAPTOR

#### PLP-UNM Universal I-Shaped Adaptor for 22" to 50" Displays

1. Universal adaptor fits virtually any 22" to 50" display with VESA® mounting pattern from 200 x 200 up to 400 x 400mm
2. Compatible with many Peerless-AV display mounts (sold separately)

**Max Load:** 150lb (68kg)  
**Ship Weight:** 5.1lb (2.32kg)  
**Color:** Black or silver



#### PLP-UNL Universal I-Shaped Adaptor for 32" to 90" Displays

1. Universal adaptor fits virtually any 32" to 90" display with VESA® mounting pattern from 200 x 200 up to 600 x 400mm
2. Compatible with many Peerless-AV display mounts (sold separately)

**Max Load:** 150lb (68kg)  
**Ship Weight:** 6.3lb (2.86kg)  
**Color:** Black or silver



#### PLP-V models Dedicated Adaptor Plates

1. For use with Flat Panel Displays
  - PLP-V100: VESA® 100x100mm
  - PLP-V2X1: VESA® 200x100mm
  - PLP-V2X2: VESA® 200x200mm
  - PLP-V3X2: VESA® 300x200mm
  - PLP-V3X3: VESA® 300x300mm
  - PLP-V4X2: VESA® 400x200mm
  - PLP-V4X3: VESA® 400x300mm
  - PLP-V4X4: VESA® 400x400mm
  - PLP-V6X2: VESA® 600x200mm
  - PLP-V6X4: VESA® 600x400mm
  - PLP-V6X5: VESA® 600x500mm
  - PLP-V6X6: VESA® 600x600mm
  - PLP-V8X4: VESA® 800x400mm
  - PLP-V9X6: VESA® 900x600mm

**Color:**  
Black



PLP-V6X4

To verify mount compatibility with any display or projector model use MountFinder™ at peerless-av.com.

630-375-5100 | 800-865-2112 | info@peerless-av.com | peerless-av.com

Additional accessories available, see pages 220-224

MULTI-DISPLAY & CEILING MOUNTS

## DISPLAY MOUNTS



### MODELS

**Universal Models:** (See chart for display size compatibility)

Includes theft resistant hardware for attaching display to mount

**PLCK-UNL** Black

**Dedicated Models:** (See chart for display size compatibility)

**PLCK-1** Black

### DISPLAY ADAPTOR



**Mounting Pattern** (W x H)

**Universal Models:** 600 x 400mm  
(23.62" x 15.75")



**VESA® Pattern**

**PLCK-UNL:** Up to 600 x 400mm

**PLCK-1:** 100 x 100mm  
Additional adaptor can be purchased separately.

### SPECIFICATIONS



**Distance from Ceiling**

See chart



**Tilt | Swivel**

+20°/-5° | 360°



**Max Load**

See chart

**Product Dimensions** (W x H x D)

See chart

**Mounting Surfaces**

Wood joist, concrete and various other applications  
(May require accessory)

**Ship Weight**

See chart

### CERTIFICATIONS



### ACCESSORIES

Single Display Ceiling Mount Components ..... pg# 149



**ACC450:**  
Adaptor Bracket  
for 22" to 40" Displays ..... pg# 232



**ACC-UCM:**  
Universal AV  
Component Mount..... pg# 218



**ACC, CMJ, DCS,  
DCT Models:**  
Ceiling Plates ..... pg# 228-231



**PLP-UNM:**  
Universal I-Shaped Adaptor  
for 22" to 50" Displays .....pg# 151, 232



**PLP-V models:**  
Dedicated Adaptor Plates ..pg# 151, 232

## SMARTMOUNT Ceiling Mount

For up to 90" Displays

- 5° to 20° adjustable tilt and 360° swivel
- Uses standard 1.5" (38mm) NPT pipe
- Mount display in landscape or portrait orientation
- Simple hook-on display installation
- Include a 1.5" NPS threaded coupling enabling retrofit to existing 1.5" NPT or NPS connections
- PLCK-1 includes VESA® 100 x 100mm mounting pattern or can be equipped with display specific adaptor (additional adaptor & display mounting hardware sold separately)



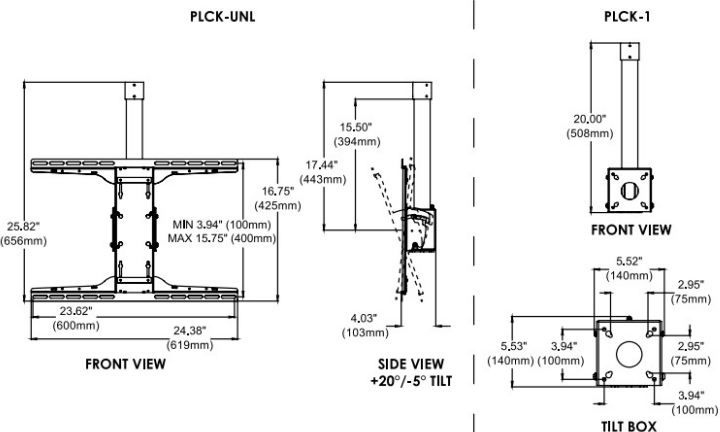
PLCK-UNL



PLCK-1

### TECHNICAL DRAWINGS

For expanded product information and technical data visit [peerless-av.com](http://peerless-av.com)



Model	Display Size	Width	Height	Depth	Contents	Max Load	Ship Weight
PLCK-UNL	32"-90"	24.38" (619mm)	25.82" (656mm)	4.03" (103mm)	Adaptor, column, tilt box, 1.5" NPT Coupler	150lb (68.2kg)	17.3lb (7.8kg)
PLCK-1	Up to 90"	5.52" (140mm)	20.00" (508mm)	3.54" (90mm)	Column, tilt box, 1.5" NPT Coupler	150lb (68.2kg)	11.0lb (5.0kg)

To verify mount compatibility with any display or projector model use MountFinder™ at [peerless-av.com](http://peerless-av.com).



630-375-5100 | 800-865-2112



info@peerless-av.com



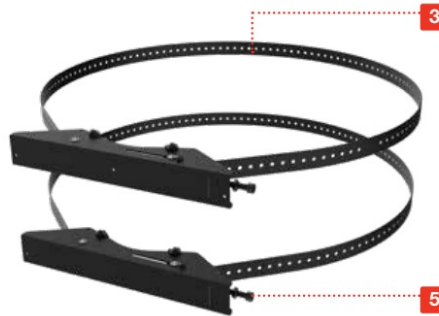
peerless-av.com



# Round Column Mount

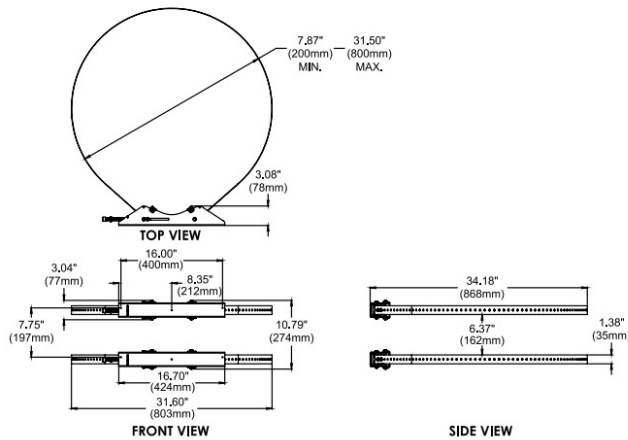
## For Digital Signage Displays

1. Perfect indoor solution for mounting digital signage displays around 7.9" to 31.5" (200-800mm) round columns
2. Works with nearly all Peerless-AV® SmartMount® Flat, Tilt and Articulating Mounts
3. Easily cut the straps in the field to fit the circumference of the column
4. Each 18ga strap is easily tightened with just one bolt, easing the installation and helping with alignment
5. Jam nuts ensure the strapping does not loosen over time
6. The mount's interface has self adjusting brackets to perfectly fit the diameter of the column
7. Supports both landscape and portrait mounting solutions



For expanded product information and technical data visit [peerless-av.com](http://peerless-av.com)

### TECHNICAL DRAWINGS



To verify mount compatibility with any display or projector model use MountFinder™ at [peerless-av.com](http://peerless-av.com).

630-375-5100 | 800-865-2112 | [info@peerless-av.com](mailto:info@peerless-av.com) | [peerless-av.com](http://peerless-av.com)

### DISPLAY MOUNTS



#### MODELS

Includes theft resistant hardware for attaching display to mount  
**CMAL** Black

#### SPECIFICATIONS

Max Load	
	225lb (102kg)
Product Dimensions (W x H x D)	
	34.18" x 31.60" x 10.79" (868 x 803 x 274mm)
Ship Weight	
	17.2lb (7.8kg)

#### CERTIFICATIONS



## DISPLAY MOUNTS



### MODELS

#### Universal Models:

Includes theft resistant hardware for attaching display to mount

#### Ceiling models:

**DS-OM46ND-CEIL** 46" Displays Black  
**DS-OM55ND-CEIL** 55" Displays Black

#### Floor models:

**DS-OM46ND-FLOOR** 46" Displays Black  
**DS-OM55ND-FLOOR** 55" Displays Black

### DISPLAY ADAPTOR



Mounting Pattern (W x H)

Display Specific

### SPECIFICATIONS



#### Max Load

100lb (45.4kg)

#### Product Dimensions (W x H x D)

**DS-OM46ND-CEIL:** 27.02" x 74.11" x 2.76"  
 (686 x 1882 x 70mm)

**DS-OM55ND-CEIL:** 31.23" x 77.87" x 2.76"  
 (793 x 1978 x 70mm)

**DS-OM46ND-FLOOR:** 27.02" x 88.08" x 6.89"  
 (686 x 2237 x 175mm)

**DS-OM55ND-FLOOR:** 31.23" x 91.85" x 6.89"  
 (793 x 2333 x 175mm)

#### Mounting Surfaces

Concrete or wood joist/beam

#### Ship Weight

**DS-OM46ND-CEIL:** 48.60lb (22.0kg)

**DS-OM55ND-CEIL:** 49.80lb (22.6kg)

**DS-OM46ND-FLOOR:** 66.80lb (30.3kg)

**DS-OM55ND-FLOOR:** 71.40lb (32.4kg)

### CERTIFICATIONS



COLUMN &  
WINDOW DISPLAY

# Floor and Ceiling Window Display Mounts

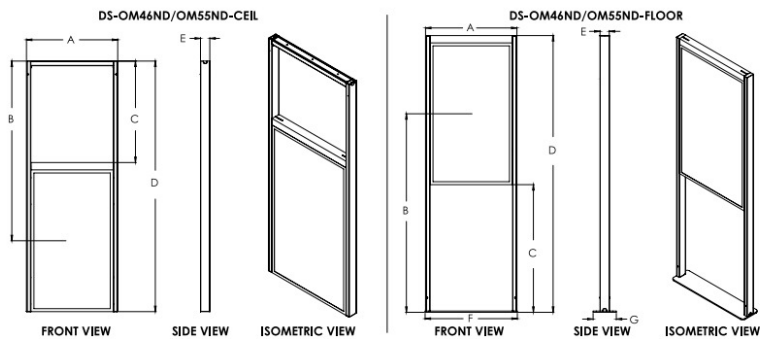
## For SAMSUNG OM46N-D AND OM55N-D DOUBLE-SIDED DISPLAYS

- Both floor and ceiling models allow for installation up to the window
- Mount is designed to complement the sleek look of the Samsung display with its slim profile
- Ceiling mounted: 53" (1350mm) to the center of display
- Floor mounted: 65" (1650mm) to the center of display
- Concealed floor/ceiling attachment for sleek aesthetics
- Concealed cable management for a sleek and professional appearance
- Easily mountable to wood joists or concrete with included hardware



### TECHNICAL DRAWINGS

For expanded product information and technical data visit [peerless-av.com](http://peerless-av.com)



MODEL NO.	DIMENSION "A"	DIMENSION "B"	DIMENSION "C"	DIMENSION "D"	DIMENSION "E"	DIMENSION "F"	DIMENSION "G"
<b>DS-OM46ND-CEIL</b>	27.02" (686mm)	53.15" (1350mm)	30.03" (763mm)	74.11" (1882mm)	2.76" (70mm)		
<b>DS-OM55ND-CEIL</b>	31.23" (793mm)	53.15" (1350mm)	26.26" (667mm)	77.87" (1978mm)	2.76" (70mm)		
<b>DS-OM46ND-FLOOR</b>	27.02" (686mm)	64.96" (1650mm)	44.01" (1118mm)	88.08" (2237mm)	2.76" (70mm)	27.28" (693mm)	6.89" (175mm)
<b>DS-OM55ND-FLOOR</b>	31.23" (793mm)	64.96" (1650mm)	40.24" (1022mm)	91.85" (2333mm)	2.76" (70mm)	31.50" (800mm)	6.89" (175mm)

To verify mount compatibility with any display or projector model use MountFinder™ at [peerless-av.com](http://peerless-av.com).



630-375-5100 | 800-865-2112



info@peerless-av.com



peerless-av.com

# Floor to Ceiling Cable Mount

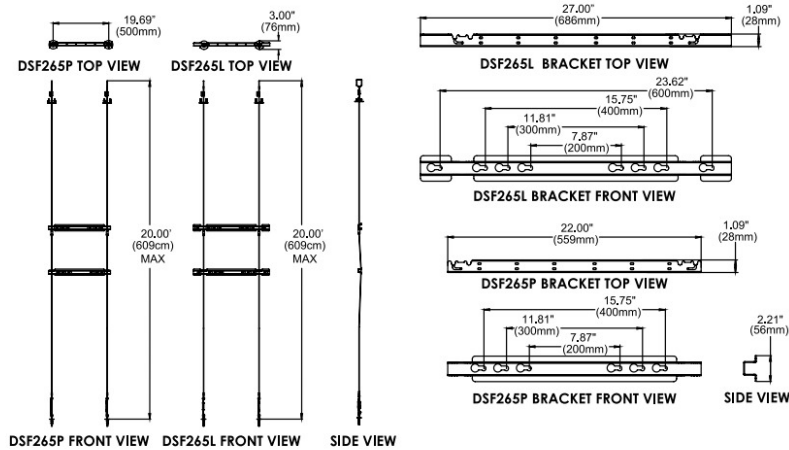
For 46" to 65" Displays

1. Mounting solution for a flat panel display that attaches at any point along the cable, making it ideal for store windows
2. Kwik Grip™ cable hardware instantly sets the adaptor height without the use of a tool
3. Keyhole slotted adaptor plate simplifies the install
4. Included eye-screws and decorative plates provide an aesthetically pleasing finish and simple cable connection
5. Solutions available for both landscape and portrait display mounting



For expanded product information and technical data visit [peerless-av.com](http://peerless-av.com)

## TECHNICAL DRAWINGS



To verify mount compatibility with any display or projector model use [MountFinder™](http://MountFinder.com) at [peerless-av.com](http://peerless-av.com).

630-375-5100 | 800-865-2112 | [info@peerless-av.com](mailto:info@peerless-av.com) | [peerless-av.com](http://peerless-av.com)

## DISPLAY MOUNTS



### MODELS

#### Universal Models:

Includes theft resistant hardware for attaching display to mount

<b>DSF265L</b>	Landscape	Black/silver
<b>DSF265P</b>	Portrait	Black/silver

### DISPLAY ADAPTOR



#### VESA® Pattern

Universal Models

<b>DSF265L:</b>	600, 400, 300 and 200mm
<b>DSF265P:</b>	400, 300 and 200mm

### SPECIFICATIONS



#### Max Load

65lb (29.5kg)

#### Product Dimensions (W x H x D)

22" Cables  
(6.7mm)

#### Ship Weight

<b>DSF265L:</b>	7.33lb (3.3kg)
<b>DSF265P:</b>	6.5lb (3.0kg)

### CERTIFICATIONS



### AWARD-WINNING SOLUTION



COLUMN &  
WINDOW DISPLAY



## DISPLAY MOUNTS



### MODELS

#### Universal Models:

Includes theft resistant hardware for attaching display to mount

**MOD-FPSKIT100** 39" (1m) Ceiling Kit Black/Zinc Plated  
**MOD-FPSKIT100-B** 39" (1m) Ceiling Kit Black

**MOD-FPSKIT150** 59" (1.5m) Ceiling Kit Black/Zinc Plated  
**MOD-FPSKIT150-B** 59" (1.5m) Ceiling Kit Black

**MOD-FCSKIT300** Floor-to-Ceiling Kit Black/Zinc Plated  
**MOD-FCSKIT300-B** Floor-to-Ceiling Kit Black

### DISPLAY ADAPTOR

Mounting Pattern	(W x H)
Universal Models:	600 x 400mm (23.62" x 15.75")

VESA® Pattern	Universal Models:
	up to 600 x 400mm

### SPECIFICATIONS

Pole Length	Universal Models:
<b>MOD-FPSKIT100(-B):</b>	39" (1m)
<b>MOD-FPSKIT150(-B):</b>	59" (1.5m)
<b>MOD-FCSKIT300(-B):</b>	118" (3m)

Tilt	Universal Models:
<b>MOD-FPSKIT100(-B)/150(-B):</b>	+20°/-5°
<b>MOD-FCSKIT300(-B):</b>	+5°/-5°

Max Load	Universal Models:
	132lb (60kg)

Product Dimensions (W x H x D)	Universal Models:
<b>MOD-FPSKIT100(-B):</b>	24.38" x 42.85" x 8.86" (619 x 1088 x 225mm)
<b>MOD-FPSKIT150(-B):</b>	24.38" x 65.84" x 8.86" (619 x 1672 x 225mm)
<b>MOD-FCSKIT300(-B):</b>	24.38" x 120.11" x 7.48" (619 x 3051 x 190mm)

Mounting Surfaces	Universal Models:
	Wood stud and concrete

Ship Weight	Universal Models:
<b>MOD-FPSKIT100(-B):</b>	17.3lb (7.9kg)
<b>MOD-FPSKIT150(-B):</b>	19.81lb (9kg)
<b>MOD-FCSKIT300(-B):</b>	
Box 1:	11.2lb (5.1kg)
Box 2:	4.8lb (2.2kg)
Box 3:	15.3lb (6.9kg)

### CERTIFICATIONS



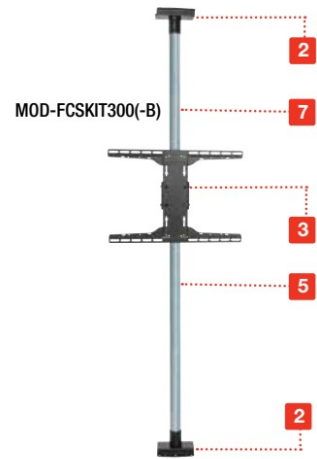
### ACCESSORIES

See individual components to 'build your own' solution ..... pg# 155

# Modular Series Ceiling & Floor-To-Ceiling Kits

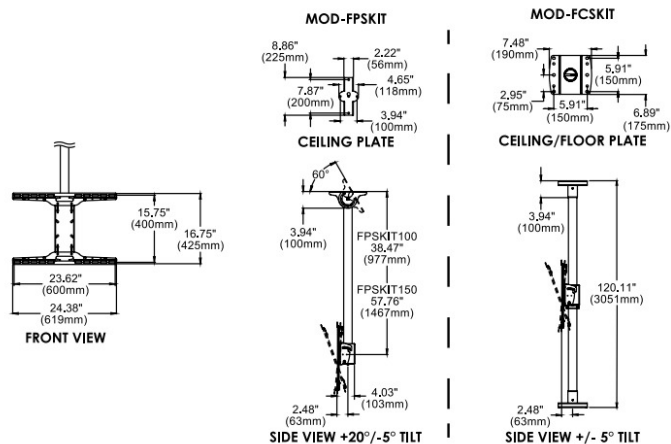
For up to 75" Displays

1. Large universal display adaptor for up to 75" displays with VESA® mounting patterns up to 600 x 400mm
2. Heavy-duty flat plate mount securely mounts to wood or concrete ceilings and floors
3. Display can be positioned at any point along the height of the pole
4. Cathedral ceiling plate can be angled  $\pm 60^\circ$  to accommodate vaulted or sloped ceilings
5. Modular design allows additional displays to be stacked on a single pole
6. Ceiling Mount Kits, MOD-FPSKIT100(-B)/150(-B), include:
  - Cathedral ceiling plate
  - (1) MOD-CPC
  - (1) MOD-P100(-B) / MOD-P150(-B)
  - (1) MOD-FPMS
  - (1) MOD-UNL
7. Floor-to-Ceiling Mount Kit, MOD-FCSKIT300(-B), includes:
  - (2) MOD-CPF
  - (1) MOD-P300(-B)
  - (1) MOD-FPMS
  - (1) MOD-ASC
  - (1) MOD-UNL



### TECHNICAL DRAWINGS

For expanded product information and technical data visit [peerless-av.com](http://peerless-av.com)



To verify mount compatibility with any display or projector model use MountFinder™ at [peerless-av.com](http://peerless-av.com).



630-375-5100 | 800-865-2112



info@peerless-av.com



peerless-av.com

# Modular Series Individual Components to 'Build Your Own' Solution

For up to 75" Displays

## DISPLAY MOUNTS



### 1 CHOOSE THE MOUNTING PLATE TYPE

#### MOD-CPI

*I-Beam Ceiling Plate*

- Fully adjustable for I-beams 3.34" (85mm) to 9.84" (250mm)
- Can be angled up to 60°

**Max Load:** 264lb (120kg)  
**Ship Weight:** 6.7lb (3kg)  
**Color:** Black



#### MOD-AUB

*U-Bolt Adaptor Accessory*

- Clamps around 1.5"-3.3" (40-85mm) dia. pipes, trusses, mini I-beams, and other construction materials
- Adapts to MOD-CPC and MOD-CPF

**Max Load:** 264lb (120kg)  
**Ship Weight:** 1.6lb (0.75kg)  
**Color:** Black



#### MOD-CPC(-W)

*Cathedral Ceiling Plate*

- Cathedral ceiling plate can be angled up to 60° for use with vaulted or sloping ceilings
- Mounts to concrete or wood joist ceilings

**Max Load:** 264lb (120kg)  
**Ship Weight:** 2.5lb (1.1kg)  
**Color:** Black or white



#### MOD-CPF

*Square Ceiling/Floor Plate, Flat*

- Mounts to concrete or wood joist ceilings. Heavy duty.

**Max Load:** 264lb (120kg) in Ceiling application  
 374lb (170kg) in Floor-to-Ceiling application  
**Ship Weight:** 3.7lb (1.7kg)  
**Color:** Black



#### MOD-ACF

*Cosmetic Cover*

- Cosmetic cover for modular series square ceiling/floor plate (MOD-CPF)

**Ship Weight:** 1.85lb (0.83kg)  
**Color:** Black



### 2 SELECT THE POLE LENGTH & ACCESSORIES

#### MOD-P100/150/200/300(-B)

*Extension Poles*

- MOD-P100(-B): 39" (1.0m) length  
 MOD-P150(-B): 59" (1.5m) length  
 MOD-P200(-B): 78" (2m) length  
 MOD-P300(-B): 118" (3m) length
- Cut-to-length 2" (50mm) dia. pole

**Ship Weight:**  
 MOD-P100(-B): 5lb (2.2kg)  
 MOD-P150(-B): 7.4lb (3.3kg)  
 MOD-P200(-B): 10lb (4.5kg)  
 MOD-P300(-B): 14.8lb (6.7kg)  
**Color:** Zinc plated or black



#### MOD-ATD-W

*Trim Disc*

- Covers hole around the 2" (50mm) dia. pole in a suspended ceiling, creating a smooth transition

**Ship Weight:** 0.1lb (0.04kg)  
**Color:** White



#### MOD-APC

*Pole Coupler*

- Connects two 2" (50mm) dia. poles

**Ship Weight:** 4lb (1.8kg)  
**Color:** Black



#### MOD-ADF

*Pole Drilling Fixture*

- Allows marking and positioning of new installation holes to be drilled into newly cut 2" (50mm) dia. poles

**Ship Weight:** 1.2lb (0.54kg)  
**Color:** Black



### 3 SELECT THE MOUNTING CONFIGURATION

#### MOD-FPMS

*Single Display Mount*

- VESA® 75/100mm mounting pattern
- +20/-5° tilt lockable in 5° increments and 360° rotation

**Max Load:** 132lb (60kg)  
**Ship Weight:** 3.3lb (1.5kg)  
**Color:** Black



#### MOD-FPMD

*Back-to-Back Display Mount*

- VESA® 75/100mm mounting pattern
- +20/-5° tilt lockable in 5° increments and 360° rotation

**Max Load:** 264lb (120kg)  
**Ship Weight:** 6.0lb (2.7kg)  
**Color:** Black



#### MOD-ASC

*Display Mount Stacking Clamp*

- Clamps around extension pole to stack multiple displays on a single pole
- Secondary safety screw provided to secure mount into place

**Max Load:** 264lb (120kg)  
**Ship Weight:** 0.45lb (0.20kg)  
**Color:** Black



### 4 IDENTIFY THE DISPLAY ADAPTOR

#### MOD-UNM

*Medium Universal Adaptor*

- For 22" to 50" displays, compatible with VESA® 200x200 to 400x400mm

**Max Load:** 132lb (60kg)  
**Ship Weight:** 5.1lb (2.32kg)  
**Color:** Black



#### MOD-UNL

*Large Universal Adaptor*

- For 32" to 75" displays, compatible with VESA® 200 x 200 to 600 x 400mm
- Expands from 200mm to 600mm wide

**Max Load:** 132lb (60kg)  
**Ship Weight:** 6.3lb (2.86kg)  
**Color:** Black



**ACC450 Adaptor bracket for 22" to 40" displays**

- For 22" to 40" displays with VESA® mounting patterns of 200 x 100 and 200 x 200mm

**Max Load:** 115lb (52kg)  
**Ship Weight:** 1.9lb (0.9kg)  
**Color:** Black



#### ACC918

*Security Fastener Pack*

- For use with MOD-FPMS & MOD-FPMD models

**Ship Weight:** 0.49lb (0.2kg)  
**Color:** Black



To verify mount compatibility with any display or projector model use MountFinder™ at [peerless-av.com](http://peerless-av.com).

630-375-5100 | 800-865-2112 | [Info@peerless-av.com](mailto:Info@peerless-av.com) | [peerless-av.com](http://peerless-av.com)

## DISPLAY MOUNTS



### MODELS

#### Universal Models:

Includes theft resistant hardware for attaching display to mount

**MOD-FPS2KIT150** Ceiling Mount Kit Black/Zinc Plated  
**MOD-FPS2KIT150-B** Ceiling Mount Kit Black

**MOD-FCS2KIT300** Floor-to-Ceiling Kit Black/Zinc Plated  
**MOD-FCS2KIT300-B** Floor-to-Ceiling Kit Black

**MOD-FW2KIT300** Floor-to-Wall Kit Black/Zinc Plated  
**MOD-FW2KIT300-B** Floor-to-Wall Kit Black

**MOD-FPP2KIT200** Free Standing Kit Black/Zinc Plated  
**MOD-FPP2KIT200-B** Free Standing Kit Black

### DISPLAY ADAPTOR

Mounting Pattern	(W x H)
------------------	---------

Universal Models: 600 x 400mm  
 (23.62" x 15.75")



#### VESA® Pattern

Universal Models: up to 600 x 400mm

### SPECIFICATIONS

#### Pole Length

MOD-FPS2KIT150(-B):	59" (1.5m)
MOD-FCS2KIT300(-B):	118" (3m)
MOD-FW2KIT300(-B):	118" (3m)
MOD-FPP2KIT200(-B):	78" (2m)

#### Tilt

+20°/-5°

#### Max Load

MOD-FPS2KIT150(-B):	211lb (96kg)
MOD-FCS2KIT300(-B):	422lb (192kg)
MOD-FW2KIT300(-B):	422lb (192kg)
MOD-FPP2KIT200(-B):	422lb (192kg)

#### Product Dimensions (W x H x D)

MOD-FPS2KIT150(-B):	24.57" x 64.04" x 4.61" (624 x 1627 x 117mm)
MOD-FCS2KIT300(-B):	24.57" x 120.79" x 4.61" (624 x 3068 x 117mm)
MOD-FW2KIT300(-B):	24.57" x 119.43" x 4.61" (624 x 3034 x 117mm)
MOD-FPP2KIT200(-B):	24.57" x 82.52" x 4.61" (624 x 2096 x 117mm)

#### Mounting Surfaces

Wood, concrete, cinder/breeze block

#### Ship Weight

MOD-FPS2KIT150(-B):	Box 1: 21.5lb (9.77kg) Box 2 & 3: 7.4lb (3.36kg) each
MOD-FCS2KIT300(-B):	Box 1: 27.5lb (12.5kg) Box 2 & 3: 14.8lb (6.7kg) each
MOD-FW2KIT300(-B):	Box 1: 29.5lb (13.41kg) Box 2 & 3: 14.8lb (6.7kg) each
MOD-FPP2KIT200(-B):	Box 1: 32lb (14.55kg) Box 2 & 3: 10lb (4.5kg) each

### CERTIFICATIONS



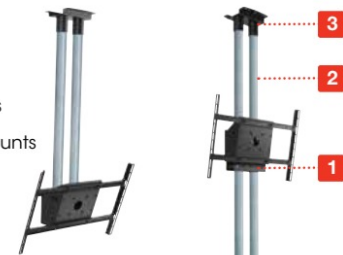
### ACCESSORIES

See individual components to 'build your own' solution ..... pg# 157

# Modular Series Dual Pole Ceiling, Floor-To-Ceiling, Floor-To-Wall & Free Standing Kits

For 46" to 90" Displays

1. Display can be positioned at any point along the height of the pole
2. Modular design allows additional displays to be stacked on the dual poles
3. Heavy-duty flat plate mount securely mounts to wood or concrete ceilings and floors
4. Ceiling Mount Kit, MOD-FPS2KIT150(-B), includes:
  - (1) MOD-CPF2
  - (2) MOD-P150(-B)
  - (1) MOD-FPMS2
  - (1) MOD-UNL2
5. Floor-to-Ceiling Mount Kit, MOD-FCS2KIT300(-B), includes:
  - (2) MOD-CPF2
  - (2) MOD-P300(-B)
  - (1) MOD-FPMS2
  - (1) MOD-ASC2
  - (1) MOD-UNL2
6. Floor-to-Wall Mount Kit, MOD-FW2KIT300(-B), includes:
  - (1) MOD-CPF2
  - (1) MOD-WP2
  - (2) MOD-P300(-B)
  - (1) MOD-FPMS2
  - (1) MOD-ASC2
  - (1) MOD-UNL2
7. Free Standing Mount Kit, MOD-FPP2KIT200(-B), includes:
  - (1) MOD-FPP2
  - (2) MOD-P200(-B)
  - (1) MOD-FPMS2
  - (1) MOD-ASC2
  - (1) MOD-UNL2



MOD-FPS2KIT150



MOD-FCS2KIT300

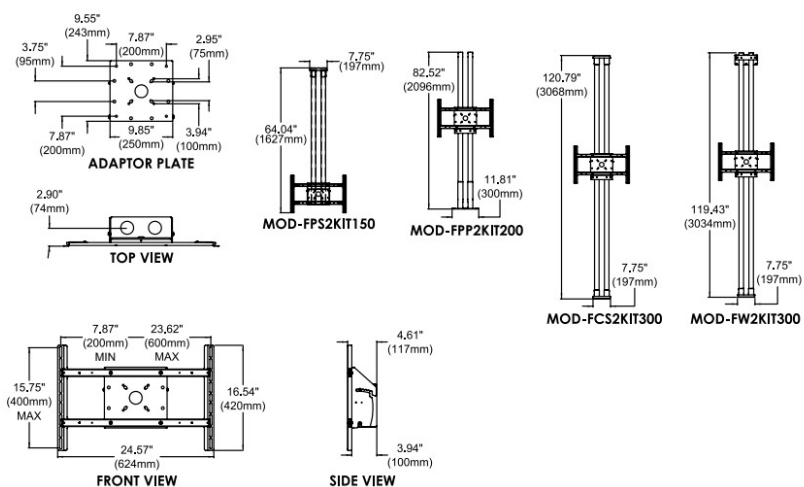


MOD-FW2KIT300

MOD-FPP2KIT200

### TECHNICAL DRAWINGS

For expanded product information and technical data visit [peerless-av.com](http://peerless-av.com)





# Modular Series Dual Pole Individual Components to 'Build Your Own' Solution

For 46" to 90" Displays

## DISPLAY MOUNTS



### 1 CHOOSE THE MOUNTING PLATE TYPE

#### MOD-CPI2

Dual Pole I-Beam Ceiling Plate

- Fully adjustable for I-beams 3.34" (85mm) to 9.84" (250mm)
  - Tilt: ±60°
- Max Load:** 422lb (192kg)  
**Ship Weight:** 8lb (3.64kg)  
**Color:** Black



#### MOD-WP2

Dual Pole Wall Plate

- Mounts to concrete or wood stud walls
- Ship Weight:** 6lb (2.73kg)  
**Color:** Black



#### MOD-FPP2

Dual Pole Free Standing Floor Plate

- Mounts to concrete or wood floors
- Max Load:** 422lb (192kg)  
**Ship Weight:** 12.5lb (5.68kg)  
**Color:** Black



#### MOD-CPF2

Dual Pole Square Ceiling/Floor Plate, Flat

- Mounts to concrete and wood joist ceilings. Heavy duty.
- Max Load:** 422lb (192kg)  
**Ship Weight:** 4lb (1.82kg)  
**Color:** Black



#### MOD-ACF2

Dual Pole Cosmetic Cover

- Cosmetic cover for modular series square ceiling/floor plate (MOD-CPF2)
- Ship Weight:** 1.5lb (0.68kg)  
**Color:** Black



### 2 SELECT THE POLE LENGTH & ACCESSORIES

#### MOD-P100/150/200/300(-B)

Extension Poles

- MOD-P100(-B): 39" (1.0m) length  
 MOD-P150(-B): 59" (1.5m) length  
 MOD-P200(-B): 78" (2m) length  
 MOD-P300(-B): 118" (3m) length
  - Cut-to-length 2" (50mm) dia. pole
- Ship Weight:**  
**MOD-P100(-B):** 5lb (2.2kg)  
**MOD-P150(-B):** 7.4lb (3.3kg)  
**MOD-P200(-B):** 10lb (4.5kg)  
**MOD-P300(-B):** 14.8lb (6.7kg)  
**Color:** Zinc plated or black



#### MOD-ATD-W

Trim Disc

- Covers hole around the 2" (50mm) dia. pole in a suspended ceiling, creating a smooth transition
- Ship Weight:** 0.1lb (0.04kg)  
**Color:** White



#### MOD-APC

Pole Coupler

- Connects two 2" (50mm) dia. poles
- Ship Weight:** 4lb (1.8kg)  
**Color:** Black



#### MOD-ADF

Pole Drilling Fixture

- Allows marking and positioning of new installation holes to be drilled into newly cut 2" (50mm) dia. poles
- Ship Weight:** 1.2lb (0.54kg)  
**Color:** Black



### 3 SELECT THE MOUNTING CONFIGURATION

#### MOD-FPMS2

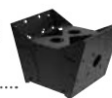
Dual Pole Single Display Mount

- For 46" to 90" displays with VESA® 200 x 200mm mounting pattern
  - +20/-5° tilt lockable in 5° increments
- Max Load:** 211lb (96kg)  
**Ship Weight:** 13.5lb (6.14kg)  
**Color:** Black



**MOD-FPMD2 Dual Pole Back-to-Back Display Mount**

- For 46" to 90" displays with VESA® 200 x 200mm mounting pattern
  - +20/-5° tilt lockable in 5° increments
- Max Load:** 422lb (192kg)  
**Ship Weight:** 13.5lb (6.14kg)  
**Color:** Black



**MOD-ASC2 Dual Pole Display Mount Stacking Clamp**

- Clamps around extension poles to stack multiple single or back-to-back displays
  - Secondary safety screws provided to secure mount into place
- Max Load:** 422lb (192kg)  
**Ship Weight:** 2lb (0.91kg)  
**Color:** Black



### 4 IDENTIFY THE DISPLAY ADAPTOR

#### MOD-UNL2

Large Universal Adaptor

- For 46" to 90" displays
  - Compatible with VESA® patterns from 300 x 200 to 600 x 400mm
- Max Load:** 211lb (96kg)  
**Ship Weight:** 4lb (1.82kg)  
**Color:** Black



### 5 SELECT OPTIONAL ACCESSORY

**MOD-AWM2 Dual-Pole Wall Mount Interface**

- Provides mounting for Peerless-AV Flat, Tilt & Video Wall Mounts
- Max Load:** 211lb (96kg)  
**Ship Weight:** 7lb (3.18kg)  
**Color:** Black



**MOD-ACAP (2) Modular Pole Finishing Caps**

- Provides a finished look to the ends of Extension Poles
- Ship Weight:** 0.08lb (0.04kg)  
**Color:** Black



### 6 SELECT OPTIONAL SECURITY

**ACC925 Security Fastener Pack**

- For use with MOD-FPMS2 & MOD-FPMD2 models
- Ship Weight:** 0.84lb (0.38kg)  
**Color:** Black



To verify mount compatibility with any display or projector model use MountFinder™ at peerless-av.com.

DISPLAY MOUNTS



MODELS

Universal Models:

Includes standard hardware (hex or Phillips) for attaching display to mount

**DSF290** Black

DISPLAY ADAPTOR



VESA® Pattern

Universal Models: 100, 200, 300 and 400mm

SPECIFICATIONS



Max Load

175lb (79kg)

Product Dimensions (W x H x D)

1.55" x 20.50" x 3.65"  
(39 x 521 x 93 mm)

Mounting Surfaces

12" Truss  
with 2" outer diameter tubing

Ship Weight

7lb (3.2kg)

CERTIFICATIONS



ACCESSORIES



**DS-VW665:**  
SmartMount® Flat  
Video Wall Mount ..... pg# 57



**DS-VW765-LAND:**  
SmartMount® Full Service  
Video Wall Mount - Landscape .. pg# 52



**DS-VW765-LQR:**  
SmartMount® Full Service  
Video Wall Mount with  
Quick Release - Landscape ..... pg# 53



**SF640/SF650/SF660:**  
SmartMount® Universal  
Flat Wall Mounts ..... pg# 78-79



**ST640/ST650/ST660:**  
SmartMount® Universal  
Tilt Wall Mounts ..... pg# 88-89



**FPS-1000/SP850:**  
SmartMount® Pull-Out  
Pivot Wall Mounts ..... pg# 98, 100

# Truss Mount

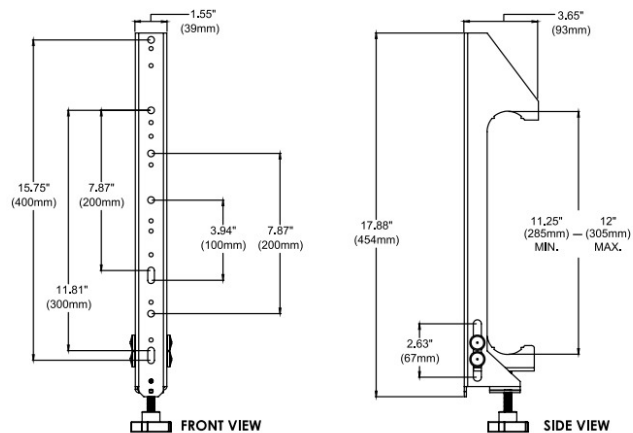
For 12" Truss with 2" Outer Diameter Tubing  
For 40" to 90" Displays

1. Truss clamp can be quickly attached or removed from a truss without the use of tools
2. Adjustable to various 12" truss manufacturers
3. VESA® compliant mounting patterns for attaching directly to the display
4. Can be attached to the truss running vertically or horizontally
5. Compatible with a select group of Peerless-AV flat, tilt, pivot and video wall mounts
6. Ideal for rental and staging applications with repeated set up



TECHNICAL DRAWINGS

For expanded product information and technical data visit [peerless-av.com](http://peerless-av.com)



To verify mount compatibility with any display or projector model use MountFinder™ at [peerless-av.com](http://peerless-av.com).

# I-Beam Mount

## For Digital Signage Displays

1. IMAM designed for up to 12" wide beams
2. IMAL designed for 12" to 24.5" wide beams
3. Corrosion resistant design
4. Supports both landscape and portrait mounting solutions
5. Includes adaptors, threaded rod and mounting hardware for the selected wall mount
6. Threaded rods (included) can be cut-to-length to accommodate a variety of I-beam depths
7. Compatible with the following Peerless-AV® Wall Mount Models:

Indoor:

SF630, SF632, SF640, SF650, SF660  
 ST630, ST632, ST640, ST650, ST660  
 SP730P, SP740P, SP746PU  
 SA730P, SA740P, SA746PU  
 PF630, PF632, PF640, PF650, PF660  
 PT630, PT632, PT640, PT650, PT660  
 PP730P, PP740P  
 PA730P, PA740P, PA746P

Outdoor:

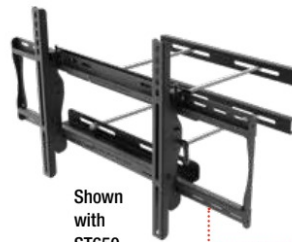
EPT640, EPT650, EWMU,  
 ESF655P, EST655P



IMAM



IMAL



Shown with ST650

7

## DISPLAY MOUNTS



### MODELS

Includes theft resistant hardware for attaching display to mount

**IMAM** For up to 12" Wide Beams Black  
**IMAL** For 12" to 24.5" Wide Beams Black

### SPECIFICATIONS



#### Max Load

225lb (102kg)

#### Product Dimensions (W x H x D)

**IMAM:** 18.00" x 9.15" x 3.00"-12.00"  
 (457 x 232 x 76-305mm)

**IMAL:** 31.00" x 9.15" x 12.00"-24.50"  
 (787 x 232 x 305-622mm)

#### Ship Weight

**IMAM:** 17.5lb (7.9kg)

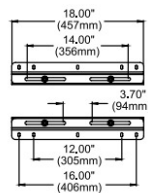
**IMAL:** 18.8lb (8.5kg)

### CERTIFICATIONS

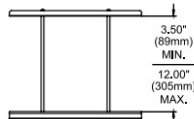
**RoHS**

For expanded product information and technical data visit [peerless-av.com](http://peerless-av.com)

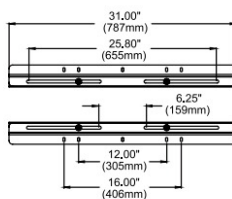
## TECHNICAL DRAWINGS



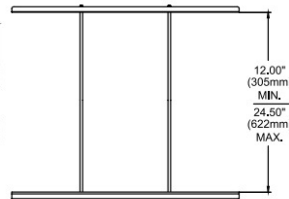
IMAM FRONT VIEW



IMAM TOP VIEW



IMAL FRONT VIEW



IMAL TOP VIEW

To verify mount compatibility with any display or projector model use MountFinder™ at [peerless-av.com](http://peerless-av.com).



630-375-5100 | 800-865-2112



info@peerless-av.com



peerless-av.com







# CARTS, STANDS, & DESKTOP MOUNTS

---





Model Shown:  
SS598ML3

# Lift and Learn

**WITH PEERLESS-AV'S MOTORIZED MOUNTING SOLUTIONS**

Peerless-AV's line of SmartMount<sup>®</sup> Motorized Height Adjustable Carts & Stands are perfect mounting solutions for today's integrated classroom. They are compatible with a wide range of interactive display sizes, available as mobile or fixed mounting solutions, and, with the simple touch of a button, the interactive display height can be quickly and effortlessly adjusted to meet ADA requirements!

SmartMount<sup>®</sup> Motorized Height Adjustable Model Numbers: SS598ML3, SR598ML3E, SR598ML3T

**peerless-AV<sup>®</sup>**





**FLOOR CARTS & STANDS**

**SR598ML3**  
SmartMount® Motorized  
Height Adjustable Cart  
For 42" to 86" Interactive Displays ..... pg# 162

**SR598ML3E**  
SmartMount® Motorized  
Height Adjustable Cart  
For 42" to 86" Interactive Displays ..... pg# 163

**SR598ML3T**  
SmartMount® Motorized  
Height Adjustable Tabletop Cart  
For 55" to 80" Interactive Displays ..... pg# 164

**SR560-FLIP2**  
Mobile Cart with Rotational Interface  
For the 55" (WM55H, WM55R)  
and 65" (WM65R) Samsung Flip 2 ..... pg# 165

**SR560M**  
SmartMount® Flat Panel Cart  
For 32" to 75" Displays ..... pg# 166

**SR575M**  
SmartMount® Full Featured Flat Panel Cart  
For 32" to 75" Displays ..... pg# 167

**SR575K**  
SmartMount® Universal Kiosk Cart  
For 32" to 75" Displays and Touch Panels .... pg# 168

**SR598**  
SmartMount® Flat Panel Cart  
For 55" to 98"+ Displays ..... pg# 169

**SR598-HUB**  
SmartMount® Flat Panel Cart  
For 55" & 84" Microsoft® Surface™ Hub ..... pg# 169

**SR598-HUB2**  
SmartMount® Flat Panel Cart  
For 85" Microsoft® Surface™ Hub 2S ..... pg# 169

**SR560-HUB2**  
SmartMount® Cart  
For 50" Microsoft® Surface™ Hub 2S ..... pg# 170

**SR555M**  
SmartMount® Flat Panel Video Conferencing  
Cart For two 40" to 55" Displays ..... pg# 171

**SR555E**  
SmartMount® Flat Panel Video Conferencing  
Cart For one 32" to 75" Display ..... pg# 172

**SR575E**  
SmartMount® Flat Panel Video Conferencing  
Cart For two 40" to 55" Displays ..... pg# 172

**VCM580**  
Video Conferencing Solution  
For 55" to 80" Displays ..... pg# 173

**SS598ML3**  
SmartMount® Motorized  
Height Adjustable Stand/Wall Mount  
For 42" to 86" Interactive Displays ..... pg# 174

**SS560F**  
SmartMount® Flat Panel Floor Stand  
For 32" to 75" Displays ..... pg# 175

**SS575K**  
SmartMount® Universal Kiosk Stand  
for 32" to 75" Displays and Touch Panels .... pg# 176

**FPZ-600**  
Flat Panel Floor Stand  
for up to 75" Displays ..... pg# 177

**FPZ-670**  
Flat Panel Floor Stand  
for up to 90" Displays ..... pg# 178

**DESKTOP & WORK CENTERS**

**HLC-KIT(-Q10) Models**  
Display Base Lock-down Security Kits  
For Select Display Base Stands  
and VESA® Compliant Displays ..... pg# 179

**PTS4X4**  
Universal TV Stand with Swivel  
For 32" to 60" Displays ..... pg# 180

**PTS6X4**  
Universal TV Stand with Swivel  
For 55" to 85" Displays ..... pg# 181

**HP432-002**  
Desktop Swivel Mount  
For 26" to 37" Displays ..... pg# 182

**HP447**  
Desktop Swivel Mount  
For 32" to 47" Displays ..... pg# 183

**HP455**  
Desktop Swivel Mount  
For 49" to 55" Displays ..... pg# 184

**PTM400/PTM200 Models**  
Universal Desktop Tablet Mount/  
Universal Tablet Cradle  
For Tablets less than 0.75" (19mm) deep.... pg# 185

**PTS510I Models**  
Kiosk Floor Stand for iPad® Tablets ..... pg# 186

**LCT100S**  
Monitor Desktop Stand  
For up to 38" Monitors ..... pg# 187

**LCT620A/LCT620A-G Models**  
Single Monitor Desktop Arm Mount  
For up to 38" Monitors ..... pg# 188

**LCT620AD/LCT620AD-G Models**  
Dual Monitor Desktop Arm Mount  
For up to 38" Monitors ..... pg# 189

**LCT650SD**  
1x2 Freestanding Desktop Stand  
For 24" to 49" Ultra-Wide  
Curved Monitors ..... pg# 190

**B-MIS38426**  
1x2 Bolt Down Desktop Mount  
For 24" to 49" Ultra-Wide  
Curved Monitors ..... pg# 191

**LCW620A**  
Single Wall Mounted Desktop Arm  
for up to 38" Monitors ..... pg# 192



CARTS, STANDS, & DESKTOP MOUNTS



MODELS

Universal Models:

Includes theft resistant hardware for attaching display to mount  
**SR598ML3** Black

DISPLAY ADAPTOR



VESA® Pattern

Universal Models: 200 x 200 up to 800 x 600mm

SPECIFICATIONS



Max Load

280lb (127kg)

Product Dimensions (W x H x D)

46.60" x 47.33"-72.87" x 30.70"  
 (1184 x 1202-1851 x 780mm)

Mounting Surfaces

All floor surfaces

Ship Weight

130.5lb (59.2kg)

CERTIFICATIONS



RoHS



Complies with the ADA Standards for Accessible Design, Section 308.

ACCESSORIES



**ACC310:**  
Feet Accessory..... pg# 235



**ACC-WMVCs:**  
Video Conferencing Shelf... pg# 217, 226

**ACC-MCCM:**  
Component Mount

Contact Peerless-AV Customer Care for more information.

SMARTMOUNT

Motorized Height Adjustable Cart

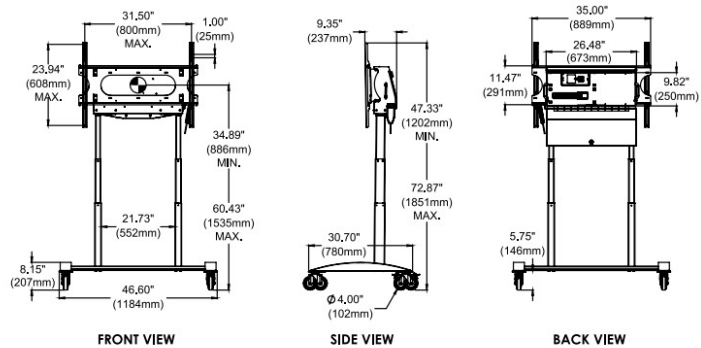
For 42" to 86" Interactive Displays

1. Display height can be adjusted up to 25.6" (650mm) with the touch of a button
2. Maneuvers easily on 4" (102mm) swivel casters, two locking
3. Pre-assembled base and casters provides rigidity, stability and quick assembly
4. Textured black powder coat finish helps hide finger prints and dust
5. Open frame display adaptor helps prevent display input interference
6. Universal display adaptor fits mounting patterns from 200 x 200mm to 800 x 600mm
7. Corner bumpers protect walls and doorways from damage
8. Rear enclosure provides up to 10"W x 8"H x 4"D storage for mini PCs such as Dell Optiplex Micro, HP 260 G2, Lenovo M600 Tiny or Intel NUC, and also includes mounting locations for external wi-fi antennas
9. Includes Peerless-AV PVP1100-CPL6 6 outlet Power Strip with 15ft cord and 2160 joule rating (15A, 120V, 1800W, EMI/RFI noise filtering)
10. Safety limit switch automatically reverses direction and stops when a collision is detected in an upward, downward or lateral force



TECHNICAL DRAWINGS

For expanded product information and technical data visit [peerless-av.com](http://peerless-av.com)



To verify mount compatibility with any display or projector model use MountFinder™ at [peerless-av.com](http://peerless-av.com).



630-375-5100 | 800-865-2112



info@peerless-av.com



peerless-av.com

**SMARTMOUNT.**

# Motorized Height Adjustable Cart

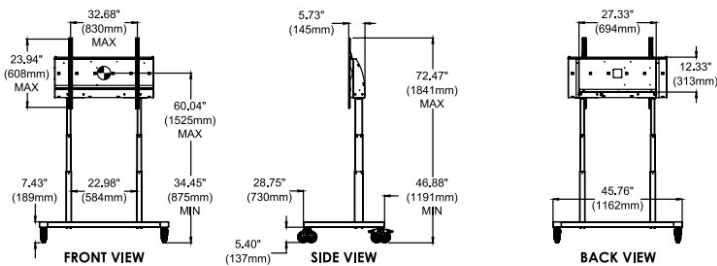
For 42" to 86" Interactive Displays

1. Display height can be adjusted up to 25.6" (650mm) with the touch of a button
2. Maneuvers easily on 4" (102mm) swivel casters, two locking
3. Pre-assembled base and casters provides rigidity, stability and quick assembly
4. Textured black powder coat finish helps hide finger prints and dust
5. Open frame display adaptor helps prevent display input interference
6. Universal display adaptor fits mounting patterns from 200 x 200mm to 800 x 600mm
7. Rear storage provides up to 29"W x 13.5"H x 4"D storage for mini PCs such as Dell Optiplex Micro, HP 260 G2, Lenovo M600 Tiny or Intel NUC
8. Safety limit switch automatically reverses direction and stops when a collision is detected in an upward, downward or lateral force



For expanded product information and technical data visit [peerless-av.com](http://peerless-av.com)

## TECHNICAL DRAWINGS



To verify mount compatibility with any display or projector model use MountFinder™ at [peerless-av.com](http://peerless-av.com).

630-375-5100 | 800-865-2112 | [info@peerless-av.com](mailto:info@peerless-av.com) | [peerless-av.com](http://peerless-av.com)

## CARTS, STANDS, & DESKTOP MOUNTS



FLOOR CARTS  
& STANDS

### MODELS

#### Universal Models:

Includes theft resistant hardware for attaching display to mount  
**SR598ML3E** Black

### DISPLAY ADAPTOR



#### VESA® Pattern

#### Universal Models:

200 x 200 up to 800 x 600mm

### SPECIFICATIONS



#### Max Load

280lb (127kg)

#### Product Dimensions (W x H x D)

45.76" x 46.88"-72.47" x 28.75"  
(1162 x 1191-1841 x 730mm)

#### Mounting Surfaces

All floor surfaces

#### Ship Weight

130.5lb (59.2kg)

### CERTIFICATIONS



RoHS

TAA



Complies with the ADA Standards for Accessible Design, Section 308.

### ACCESSORIES



#### ACC-WMVCS:

Video Conferencing Shelf .. pg# 217, 226



#### PVP1100-CPL6:

6 Outlet Surge Protector ..... pg# 234

#### ACC-MCCM:

Component Mount

#### ACC-ML3ELS:

Rear Laptop Shelf

#### ACC-ML3ECW:

Power Cord Manager

Contact Peerless-AV Customer Care for more information.





MODELS

Universal Models:

Includes theft resistant hardware for attaching display to mount  
**SR598ML3T** Black

DISPLAY ADAPTOR



VESA® Pattern

Universal Models: 200 x 200 up to 800 x 600mm

SPECIFICATIONS



Max Load

220lb (99.8kg)

Product Dimensions (W x H x D)

45.76" x 31.11"-68.97" x 28.88"  
 (1162 x 790-1752 x 733mm)

Mounting Surfaces

All floor surfaces

Ship Weight

161.5lb (73.3kg)

CERTIFICATIONS



Complies with the ADA Standards for Accessible Design, Section 308.

ACCESSORIES



ACC310:

Feet Accessory..... pg# 235



ACC316:

Safety Belt..... pg#235

SMARTMOUNT

Motorized Height Adjustable Tabletop Cart

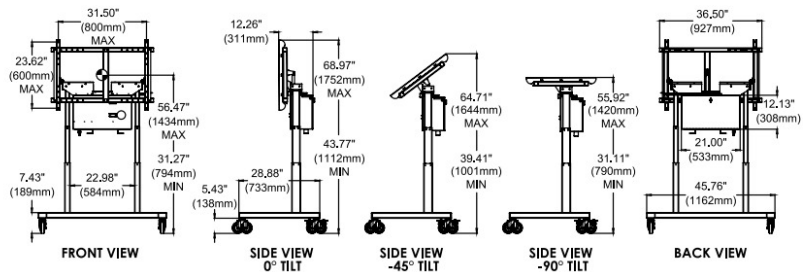
For 55" to 80" Interactive Displays

1. Display height can be adjusted up to 25.6" (650mm) or moved from a standard viewing position to a flat tabletop, or any angle in between, with the touch of a button
2. Maneuvers easily on 4" (102mm) swivel casters, two locking
3. Pre-assembled base and casters provides rigidity, stability and quick assembly
4. Textured black powder coat finish helps hide finger prints and dust
5. Open frame display adaptor helps prevent display input interference
6. Universal display adaptor fits mounting patterns from 200 x 200mm to 800 x 600mm
7. Rear enclosure provides storage for mini PCs such as Shuttle, Dell OptiPlex Micro, HP 260 G2, Lenovo M600 Tiny or Intel NUC, and includes mounting locations for external WiFi antennas
8. Includes Peerless-AV PVP1100-CPL6 6 outlet Power Strip with 15ft cord and 2160 joule rating (15A, 120V, 1800W, EMI/RFI noise filtering)
9. Safety limit switch automatically reverses direction and stops when a collision is detected in an upward, downward or lateral force



TECHNICAL DRAWINGS

For expanded product information and technical data visit [peerless-av.com](http://peerless-av.com)



To verify mount compatibility with any display or projector model use MountFinder™ at [peerless-av.com](http://peerless-av.com).

# Mobile Cart with Rotational Interface

For the 55" (WM55H, WM55R) AND 65" (WM65R)

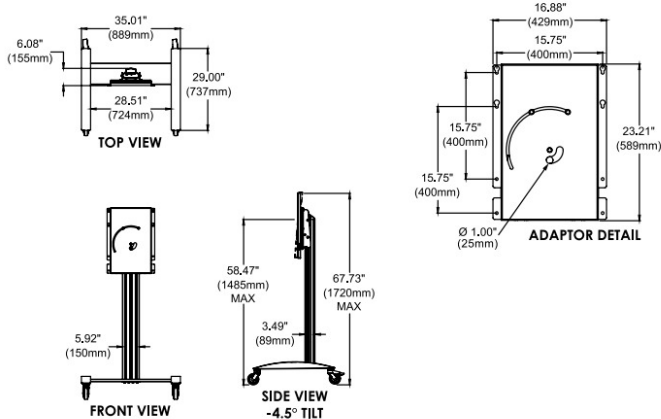
**SAMSUNG** Flip 2

1. Rotational interface smoothly rotates the display from landscape to portrait, while providing the stability for a touch display
2. 400 x 400 VESA® and custom length M8 hardware provide the proper mounting solution for the Samsung Flip
3. Rotational interface holds the display at a negative 4.5° to further promote ergonomics and a more natural writing surface
4. Display can be located anywhere along the column for perfect viewing height (up to 60" at center)
5. Maneuvers easily on 4" (102mm) swivel casters, two locking
6. Pre-assembled base provides rigidity, stability and quick assembly
7. Integrated cable management protects, contains and conceals cables for a clean, professional installation
8. Gloss white, powder coat finish closely matches the Samsung Flip 2 finish



For expanded product information and technical data visit [peerless-av.com](http://peerless-av.com)

## TECHNICAL DRAWINGS



To verify mount compatibility with any display or projector model use MountFinder™ at [peerless-av.com](http://peerless-av.com).

630-375-5100 | 800-865-2112 | [info@peerless-av.com](mailto:info@peerless-av.com) | [peerless-av.com](http://peerless-av.com)

## CARTS, STANDS, & DESKTOP MOUNTS



FLOOR CARTS  
& STANDS

### MODELS

#### Universal Models:

Includes theft resistant hardware for attaching display to mount  
**SR560-FLIP2** Gloss White

### DISPLAY ADAPTOR



#### VESA® Pattern

Universal Models: 400 x 400mm  
(15.75" x 15.75")

### SPECIFICATIONS



#### Max Load

90lb (41kg)

#### Product Dimensions (W x H x D)

35.01" x 67.73" x 29.00"  
(889 x 1720 x 737mm)

#### Mounting Surfaces

All floor surfaces

#### Ship Weight

88lb (40.1kg)

### CERTIFICATIONS

RoHS

TAA  
COMPLIANT

### ACCESSORIES



**ACC310:**  
Feet Accessory..... pg# 235



**ACC316:**  
Safety Belt..... pg# 235



**ACC320:**  
Electrical Outlet Strip  
with Cord Wrap..... pg# 235



**ACC-LA:**  
Laptop Arm..... pg# 236



**ACC-MS:**  
Metal Shelf..... pg# 236



**ACC-BPR:**  
Bumper Accessory  
for Legs..... pg# 235



**ACC-MSF-W:**  
Rear Metal Shelf (White)

Contact Peerless-AV Customer Care  
for more information.



MODELS

Universal Models:

Includes theft resistant hardware for attaching display to mount

**SR560M** Black cart with metal shelf

DISPLAY ADAPTOR



VESA® Pattern

Universal Models: 200 x 200 up to 600 x 400mm

SPECIFICATIONS



Tilt

0°/5°



Max Load

150lb (68.2kg) display  
10lb (4.55kg) shelf

Product Dimensions (W x H x D)

34.95" x 68.38" x 29.00"  
(888 x 1736 x 737mm)

Ship Weight

79lb (35.9kg)

CERTIFICATIONS



ACCESSORIES



**ACC310:**  
Feet Accessory..... pg# 235



**ACC316:**  
Safety Belt..... pg# 235



**ACC320:**  
Electrical Outlet Strip  
with Cord Wrap..... pg# 235



**ACC-BPR:**  
Bumper Accessory  
for Legs..... pg# 235



**ACC-LA:**  
Laptop Arm..... pg# 236



**ACC-MS:**  
Metal Shelf..... pg# 236



**ACC-UCM:**  
Universal AV  
Component Mount..... pg# 218



**ACC-V900X:**  
600, 800 and 900mm  
VESA® Adaptor..... pg# 235



**ACC-VCS:**  
Video Conferencing  
Camera Shelf..... pg# 236



**DSX750:**  
Media Player Storage..... pg# 140



**MIS995:**  
800mm VESA® Adaptor..... pg# 235



**MOD-UNL2:**  
Large Universal Adaptor..... pg# 235



**RM12C:**  
Rotational Mount Interface..... pg# 226

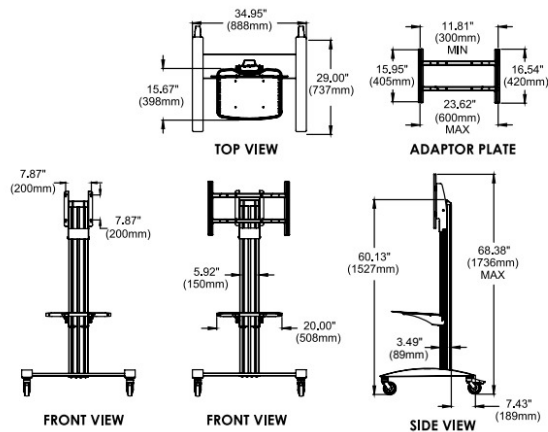
SMARTMOUNT  
Flat Panel Cart  
For 32" to 75" Displays

1. Display and component shelf can be located anywhere along the column for perfect placement and viewing height (up to 60" at center)
2. Integrated cable management protects, contains and conceals cables for a clean, professional installation
3. Maneuvers easily on 4" (102mm) swivel casters, two locking
4. Pre-assembled base provides rigidity, stability and quick assembly
5. Textured black powder coat finish helps hide finger prints and dust
6. Open frame display adaptor helps prevent display input interference
7. Includes (4) plastic scratch resistant pads to convert the cart into a stand



TECHNICAL DRAWINGS

For expanded product information and technical data visit [peerless-av.com](http://peerless-av.com)



To verify mount compatibility with any display or projector model use MountFinder™ at [peerless-av.com](http://peerless-av.com).



**SMARTMOUNT.**

# Full Featured Flat Panel Cart

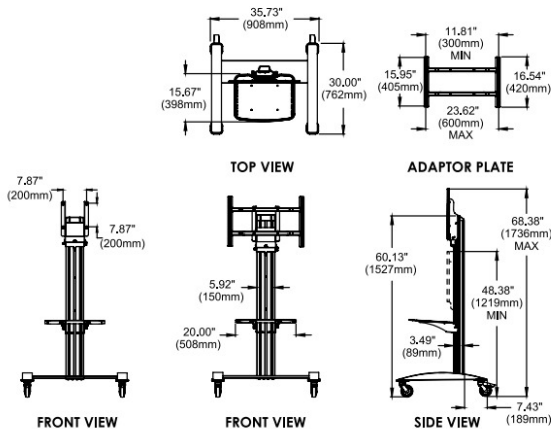
For 32" to 75" Displays

- 20" of tool-less height adjustment places the center of the display anywhere from 40" to 60" above the ground
- Shelf can be positioned anywhere along the column by simply lifting and repositioning
- Integrated cable management protects, contains and conceals cables for a clean, professional installation
- Maneuvers easily on 4" (102mm) swivel casters, two locking
- Corner bumpers protect walls and doorways from damage
- Pre-assembled base provides rigidity, stability and quick assembly
- Open frame display adaptor helps prevent display input interference
- Textured black powder coat finish helps hide finger prints and dust
- Includes (4) plastic scratch resistant pads to convert the cart into a stand



For expanded product information and technical data visit [peerless-av.com](http://peerless-av.com)

## TECHNICAL DRAWINGS



To verify mount compatibility with any display or projector model use [MountFinder™](http://MountFinder.com) at [peerless-av.com](http://peerless-av.com).

630-375-5100 | 800-865-2112 | [info@peerless-av.com](mailto:info@peerless-av.com) | [peerless-av.com](http://peerless-av.com)

## CARTS, STANDS, & DESKTOP MOUNTS



FLOOR CARTS & STANDS

### MODELS

#### Universal Models:

Includes theft resistant hardware for attaching display to mount  
**SR575M** Black cart with metal shelf

### DISPLAY ADAPTOR



#### VESA® Pattern

Universal Models: 200 x 200 up to 600 x 400mm

### SPECIFICATIONS



#### Tilt

0°-5°



#### Max Load

150lb (68.2kg) display  
 10lb (4.55kg) shelf

#### Product Dimensions (W x H x D)

35.73" x 68.38" x 30.00"  
 (908 x 1736 x 762mm)

#### Ship Weight

83lb (37.7kg)

### CERTIFICATIONS



### ACCESSORIES



**ACC310:**  
 Feet Accessory..... pg# 235



**ACC316:**  
 Safety Belt..... pg# 235



**ACC320:**  
 Electrical Outlet Strip  
 with Cord Wrap..... pg# 235



**ACC-LA:**  
 Laptop Arm..... pg# 236



**ACC-MS:**  
 Metal Shelf..... pg# 236



**ACC-UCM:**  
 Universal AV  
 Component Mount..... pg# 218



**ACC-V900X:**  
 600, 800 and 900mm  
 VESA® Adaptor..... pg# 235



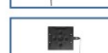
**ACC-VCS:**  
 Video Conferencing  
 Camera Shelf ..... pg# 236



**DSX750:**  
 Media Player Storage..... pg# 140



**MIS995:**  
 800mm VESA® Adaptor .....pg# 235



**MOD-UNL2:**  
 Large Universal Adaptor .....pg# 235



**RM12C:**  
 Rotational Mount Interface.....pg# 226

CARTS, STANDS, & DESKTOP MOUNTS



MODELS

Universal Models:

Includes theft resistant hardware for attaching display to mount  
**SR575K** Black

DISPLAY ADAPTOR



VESA® Pattern

Universal Models: 200 x 200 up to 600 x 400mm

SPECIFICATIONS



Tilt

0°, +90°



Max Load

150lb (68.2kg) display  
 25lb (11.4kg) media player

Product Dimensions (W x H x D)

35.00" x 46.12" x 29.00"  
 (889 x 1172 x 737mm)

Mounting Surfaces

All floor surfaces

Ship Weight

65.3lb (29.68kg)

CERTIFICATIONS



ACCESSORIES



**ACC310:**  
 Feet Accessory..... pg# 235



**ACC320:**  
 Electrical Outlet Strip  
 with Cord Wrap..... pg# 235



**ACC-BPR:**  
 Bumper Accessory for Legs ... pg# 235



**ACC-UCM:**  
 Universal AV  
 Component Mount..... pg# 218



**ACC-V900X:**  
 600, 800 and 900mm  
 VESA® Adaptor..... pg# 235



**MIS995:**  
 800mm VESA® Adaptor..... pg# 235



**MOD-UNL2:**  
 Large Universal Adaptor..... pg# 235



**RMI2C:**  
 Rotational Mount Interface..... pg# 226

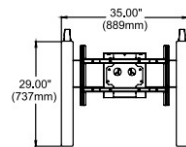
**SMARTMOUNT.**  
**Universal Kiosk Cart**  
 For 32" to 75" Displays and Touch Panels

1. Capable of +90° tilt for kiosk and interactive applications
2. Secure media player storage below the display with simple access to the device without having to remove the display
3. Accommodates media players up to 3.42" x 12.00" x 11.31" (86 x 304 x 287mm)
4. Cables can enter and exit on either side anywhere along the column and are held in place with a high tech polymer cover
5. Maneuvers easily on 4" (102mm) swivel casters, two locking
6. Pre-assembled base provides rigidity, stability and quick assembly
7. Textured black powder coat finish helps hide finger prints and dust
8. Open frame display adaptor helps prevent display input interference
9. Includes (4) plastic scratch resistant pads to convert the cart into a stand

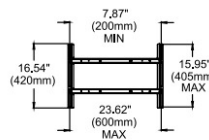


TECHNICAL DRAWINGS

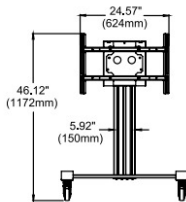
For expanded product information and technical data visit [peerless-av.com](http://peerless-av.com)



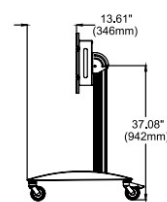
TOP VIEW



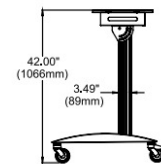
ADAPTOR PLATE



FRONT VIEW  
90° TILT



SIDE VIEW  
90° TILT



SIDE VIEW  
0° TILT

To verify mount compatibility with any display or projector model use MountFinder™ at [peerless-av.com](http://peerless-av.com).



630-375-5100 | 800-865-2112



[info@peerless-av.com](mailto:info@peerless-av.com)



[peerless-av.com](http://peerless-av.com)

SMARTMOUNT.

# Flat Panel Carts

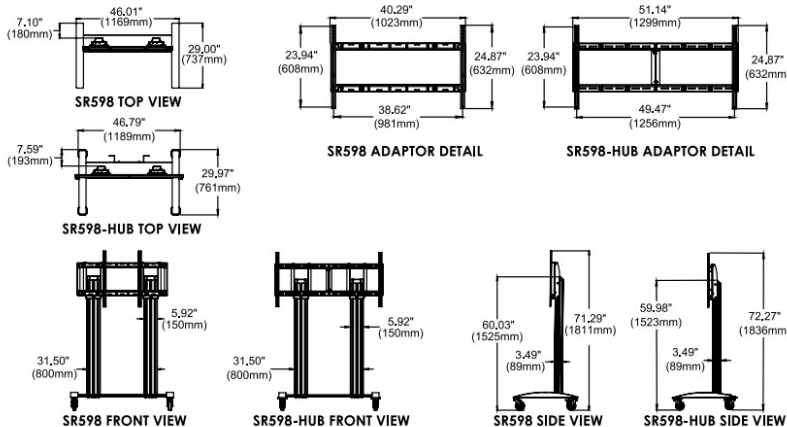
For 55" to 98"+ Displays, 55" & 84" Microsoft® Surface™ Hub & 85" Microsoft® Surface™ Hub 2S

1. Display can be located anywhere along the column for perfect viewing height (up to 60" at center)
2. Integrated cable management protects, contains and conceals cables for a clean, professional installation
3. Maneuvers easily on 4" (102mm) swivel casters, two locking
4. Pre-assembled base provides rigidity, stability and quick assembly
5. Textured black powder coat finish helps hide finger prints and dust
6. Open frame display adaptor helps prevent display input interference
7. Optional ACC-MS shelf can be positioned anywhere along either column by simply lifting and repositioning
8. SR598 Includes (4) plastic scratch resistant pads to convert the cart into a stand
9. SR598-HUB compatible with both the 55" and 84" Microsoft® Surface™ Hub
10. SR598-HUB Compatible with the 55" Cisco Spark Board
11. The 70" Cisco Spark Board is compatible with the SR598-HUB used with ACC-SPARK70
12. SR598-HUB2 Includes spacer and hardware for 85" Microsoft® Surface™ Hub 2S



For expanded product information and technical data visit [peerless-av.com](http://peerless-av.com)

## TECHNICAL DRAWINGS



To verify mount compatibility with any display or projector model use MountFinder™ at [peerless-av.com](http://peerless-av.com).

630-375-5100 | 800-865-2112 | [info@peerless-av.com](mailto:info@peerless-av.com) | [peerless-av.com](http://peerless-av.com)

## CARTS, STANDS, & DESKTOP MOUNTS



FLOOR CARTS & STANDS

### MODELS

#### Universal Models:

Includes theft resistant hardware for attaching display to mount

<b>SR598</b>	For 55" to 98"+ Displays	Black
<b>SR598-HUB</b>	For 55" & 84" Microsoft® Surface™ Hub	Black
<b>SR598-HUB2</b>	For 85" Microsoft® Surface™ Hub 2S	Black

### DISPLAY ADAPTOR



#### VESA® Pattern

#### Universal Models:

<b>SR598/SR598-HUB2:</b>	200 x 200 up to 900 x 600mm
<b>SR598-HUB:</b>	200 x 200 up to 1256 x 608mm

### SPECIFICATIONS



#### Tilt

0°/-5°



#### Max Load

300lb (136.1kg) display

#### Product Dimensions (W x H x D)

<b>SR598/SR598-HUB2:</b>	46.01" x 68.38" x 29.00" (1169 x 1736 x 737mm)
<b>SR598-HUB:</b>	49.56" x 72.44" x 29.97" (1259 x 1840 x 761mm)

#### Ship Weight

<b>SR598/SR598-HUB2:</b>	109lb (49.5kg)
<b>SR598-HUB:</b>	115lb (52.2kg)

### CERTIFICATIONS

RoHS

TAA COMPLIANT

SR598/SR598-HUB: UL

SR598-HUB2:



### ACCESSORIES



**ACC310:** Feet Accessory..... pg# 235



**ACC316:** Safety Belt..... pg# 235



**ACC320:** Electrical Outlet Strip with Cord Wrap..... pg# 235



**ACC-BPR:** Bumper Accessory for Legs ... pg# 235



**ACC-LA:** Laptop Arm..... pg# 236



**ACC-UCM:** Universal AV Component Mount..... pg# 218



**ACC-MS:** Metal Shelf..... pg# 236



**ACC-VCS:** Video Conferencing Camera Shelf ..... pg# 236

#### SR598-HUB accessories:



**ACC-SPARK55:** 55" Cisco Spark Board Adaptor Brackets..... pg# 235



**ACC-SPARK70:** 70" Cisco Spark Board Adaptor Brackets..... pg# 235



CARTS, STANDS, & DESKTOP MOUNTS



MODELS

Universal Models:

Includes theft resistant hardware for attaching display to mount  
**SR560-HUB2** White

DISPLAY ADAPTOR



VESA® Pattern

Universal Models 350 x 350mm

SPECIFICATIONS



Tilt

0°/-4.5°



Max Load

65lb (29.5kg) display

Product Dimensions (W x H x D)

46.18" x 68.19" x 28.60"  
 (1172 x 1732 x 726mm)

Ship Weight

85.5lb (38.8kg)

CERTIFICATIONS



ACCESSORIES



**ACC116:**  
Rear Facing Steel Shelf



**ACC320:**  
Electrical Outlet Strip  
with Cord Wrap..... pg# 235

SMARTMOUNT.

Cart

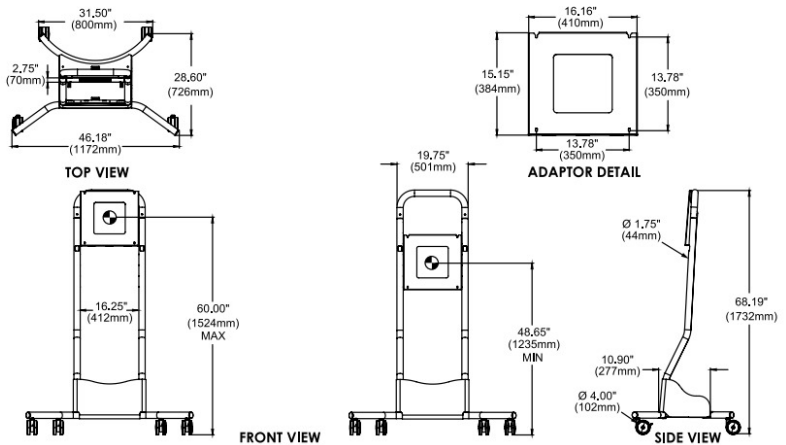
For 50" Microsoft® Surface™ Hub 2S

1. Product complies with the Microsoft® Site Readiness Guide and is certified through Microsoft®
2. Display can be located vertically along the column 48"-60" from the floor, adjusted in 3" increments
3. Set your display at a -4.5° ergonomic tilt for natural writing or 0° tilt for standard interaction
4. Internal cable management protects, contains and conceals cables for a clean, professional installation
5. Maneuvers easily on 4" (102mm) swivel casters, two locking
6. Welded base provides rigidity, stability and quick assembly
7. Flat white powder coat finish complements the finish of the Microsoft® Surface™ Hub 2S
8. Dedicated mount fits the Microsoft® Surface™ Hub 2S 350 x 350mm mounting pattern and includes the proper depth mounting bolts
9. Open frame display adaptor provides necessary clearances for I/O ports and removable compute cartridge
10. Corner bumpers prevent damage to doors and walls while moving or storing the cart



TECHNICAL DRAWINGS

For expanded product information and technical data visit [peerless-av.com](http://peerless-av.com)



To verify mount compatibility with any display or projector model use MountFinder™ at [peerless-av.com](http://peerless-av.com).



630-375-5100 | 800-865-2112



info@peerless-av.com



peerless-av.com

**SMARTMOUNT.**

# Flat Panel Video Conferencing Cart

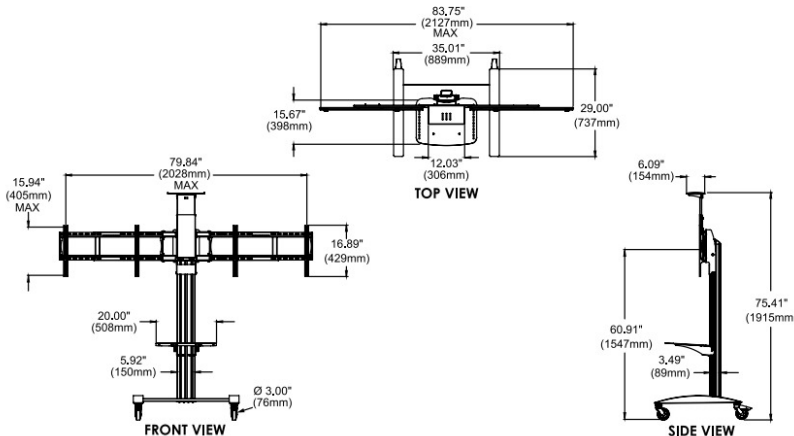
For two 40" to 65" Displays

1. Display can be located anywhere along the column for perfect viewing height (up to 60" at center)
2. Integrated cable management protects, contains and conceals cables for a clean, professional installation
3. Maneuvers easily on 4" (102mm) swivel casters, two locking
4. Fully welded base structure provides rigidity, stability and quick assembly
5. Textured black powder coat finish helps to hide finger prints and dust
6. Open frame adaptor design to help prevent display component input interference
7. Shelf can be positioned anywhere along the column by simply lifting and repositioning
8. Camera mount has adjustable height and is centered between the two displays



For expanded product information and technical data visit [peerless-av.com](http://peerless-av.com)

## TECHNICAL DRAWINGS



To verify mount compatibility with any display or projector model use MountFinder™ at [peerless-av.com](http://peerless-av.com).

630-375-5100 | 800-865-2112 | [info@peerless-av.com](mailto:info@peerless-av.com) | [peerless-av.com](http://peerless-av.com)

## CARTS, STANDS, & DESKTOP MOUNTS



FLOOR CARTS & STANDS

### MODELS

#### Universal Models:

Includes theft resistant hardware for attaching display to mount  
**SR555M** Black

### DISPLAY ADAPTOR



#### VESA® Pattern

Universal Models: 200 x 200 up to 400 x 400mm

### SPECIFICATIONS



#### Tilt

0°-5°



#### Max Load

75lb (43.1kg) per display

#### Product Dimensions (W x H x D)

83.75" x 75.41" x 29.00"  
(2127 x 1915 x 737mm)

#### Mounting Surfaces

All floor surfaces

#### Ship Weight

98lb (44.5kg)

### CERTIFICATIONS



### ACCESSORIES



#### ACC310:

Feet Accessory..... pg# 235



#### ACC316:

Safety Belt ..... pg# 235



#### ACC320:

Electrical Outlet Strip with Cord Wrap ..... pg# 235



#### ACC-LA:

Laptop Arm ..... pg# 236



#### ACC-MS:

Metal Shelf ..... pg# 236



#### ACC-BPR:

Bumper Accessory for Legs ... pg# 235



**MODELS**

**Universal Models:**

Includes theft resistant hardware for attaching display to mount

- SR555E** Two 40" to 55" Displays Black\*
- SR575E** One 32" to 75" Display Black\*

\*With brushed stainless steel front

**DISPLAY ADAPTOR**



**VESA® Pattern**

**Universal Models:**

- SR555E:** 200 x 200 up to 400 x 400mm
- SR575E:** 200 x 200 up to 600 x 400mm

**SPECIFICATIONS**



**Max Load**

- SR555E:** 75lb (43.1kg) per display
- SR575E:** 150lb (68.2kg) display

**Product Dimensions (W x H x D)**

- SR555E:** 70.25" x 78.10" x 29.00"  
(1784 x 1983 x 737mm)
- SR575E:** 35.01" x 78.10" x 29.00"  
(889 x 1983 x 737mm)

**Mounting Surfaces**

All floor surfaces

**Ship Weight**

- SR555E:** 195lb (88.6kg)
- SR575E:** 178lb (80.9kg)

**CERTIFICATIONS**



**ACCESSORIES**



**ACC310:** Feet Accessory..... pg# 235



**ACC316:** Safety Belt..... pg# 235



**ACC-UCM:** Universal AV Component Mount..... pg# 218

**SMARTMOUNT.**

**Flat Panel Video Conferencing Cart**

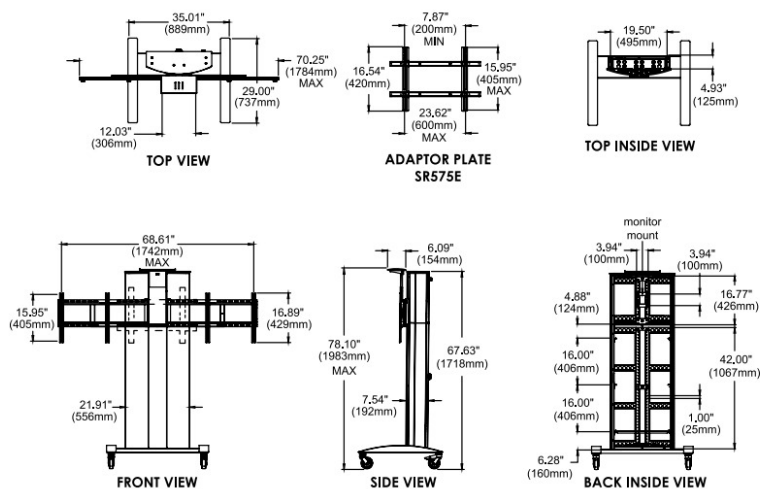
For one 32" to 75" Display or two 40" to 55" Displays

1. Display can be located anywhere along the column for perfect viewing height (up to 60" at center)
2. Integrated cable management protects, contains and conceals cables for a clean, professional installation
3. Maneuvers easily on 4" (102mm) swivel casters, two locking
4. Corner bumpers protect walls and doorways from damage
5. Fully welded base structure provides rigidity, stability and quick assembly
6. Textured black powder coat finish helps to hide finger prints and dust while stainless steel accents provide an attractive appearance
7. Open frame adaptor design to help prevent display component input interference
8. Upright structure houses components in either 2RU 19" rack mount configuration or a shelf inside a lockable compartment
9. Six outlet surge protector with 15ft cord housed inside the enclosure
10. Upper compartment doubles as a work surface for laptops or keyboard/ mouse and test monitor



**TECHNICAL DRAWINGS**

For expanded product information and technical data visit [peerless-av.com](http://peerless-av.com)



To verify mount compatibility with any display or projector model use MountFinder™ at [peerless-av.com](http://peerless-av.com).



# Video Conferencing Solution

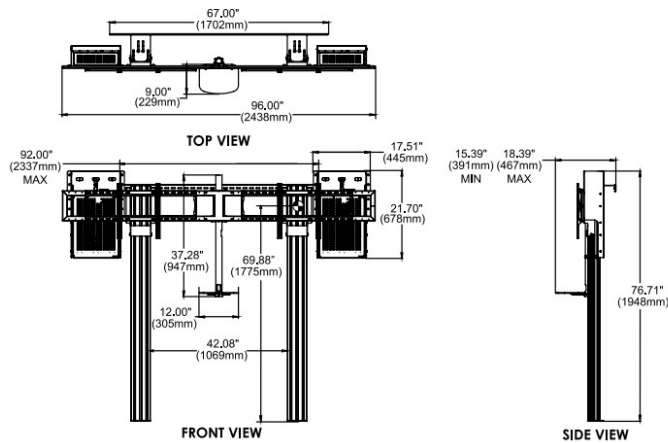
For 55" to 80" Displays



1. Two 2RU rack storage units conveniently drop below the display for service
2. Flexible display positioning sets the display height anywhere along the column for the perfect viewing angle
3. Depth adjustable wall bracket provides extra clearance behind the rack units when needed
4. Vertical micro-adjustment for post installation leveling and display alignment
5. Cables run discreetly through the uprights for a clean, clutter free appearance
6. Flexible design secures to both a raised floor and concrete floor
7. Height adjustable camera shelf provides flexibility when mounting larger displays or adjusting the viewing angle

For expanded product information and technical data visit [peerless-av.com](http://peerless-av.com)

## TECHNICAL DRAWINGS



To verify mount compatibility with any display or projector model use MountFinder™ at [peerless-av.com](http://peerless-av.com).

630-375-5100 | 800-865-2112 | [info@peerless-av.com](mailto:info@peerless-av.com) | [peerless-av.com](http://peerless-av.com)

## CARTS, STANDS, & DESKTOP MOUNTS



FLOOR CARTS  
& STANDS

### MODELS

#### Universal Models:

Includes theft resistant hardware for attaching display to mount

**VCM580** Silver

### DISPLAY ADAPTOR



VESA® Pattern

Universal Models: 600 x 400mm

### SPECIFICATIONS



#### Distance from Wall

18.39"-15.39" (67-391mm)



#### Max Load

335lb (152kg)

#### Product Dimensions (W x H x D)

96.0" x 76.71" x 18.39"  
(2438 x 1948 x 467mm)

#### Mounting Surfaces

Wood stud, concrete

#### Ship Weight

180lb (82kg)

### CERTIFICATIONS

RoHS

TAA  
COMPLIANT



MODELS

Includes theft resistant hardware for attaching display to mount  
**SS598ML3** Black

DISPLAY ADAPTOR



VESA® Pattern

Universal Models: 200 x 200 up to 800 x 600mm

SPECIFICATIONS



Max Load

280lb (127kg)

Product Dimensions (W x H x D)

33.13" x 47.76"-72.42" x 6.63"  
 (842 x 1213 - 1840 x 168mm)

Mounting Surfaces

All floor surfaces

Ship Weight

130.5lb (59.2kg)

CERTIFICATIONS



RoHS

TAA COMPLIANT



Complies with the ADA Standards for Accessible Design, Section 308.

ACCESSORIES



**PVP1100-CPL6:**  
 6 Outlet Surge Protector ..... pg# 234

**ACC114:**  
 Stand-off Plate

Contact Peerless-AV Customer Care for more information.

SMARTMOUNT

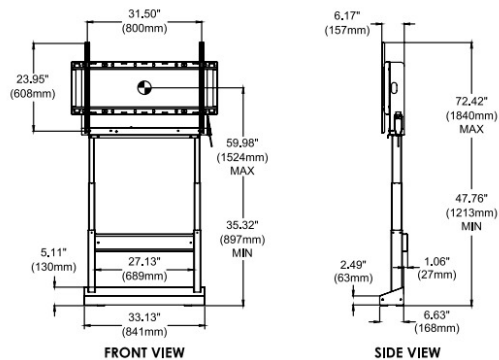
Motorized Height Adjustable Stand/Wall Mount  
 For 42" to 86" Interactive Displays

1. Display height can be adjusted up to 25.6" (650mm) with the touch of a button
2. Leveling legs allow the stand to be positioned properly, even on unlevel surfaces
3. Pre-assembled base provides rigidity, stability and quick assembly
4. Textured black powder coat finish helps hide finger prints and dust
5. Open frame display adaptor helps prevent display input interference
6. Universal display adaptor fits mounting patterns from 200 x 200mm to 800 x 600mm
7. Rear enclosure provides up to 29"W x 13.5"H x 4"D storage for mini PCs, such as Dell Optiplex Micro, HP 260 G2, Lenovo M600 Tiny, or Intel NUC
8. Support cover hides hardware and doubles as a small shelf for digital pens and erasers
9. Safety limit switch automatically reverses direction and stops when a collision is detected in an upward, downward or lateral force



TECHNICAL DRAWINGS

For expanded product information and technical data visit [peerless-av.com](http://peerless-av.com)



To verify mount compatibility with any display or projector model use MountFinder™ at [peerless-av.com](http://peerless-av.com).



630-375-5100 | 800-865-2112



info@peerless-av.com



peerless-av.com

**SMARTMOUNT.**

# Flat Panel Floor Stand

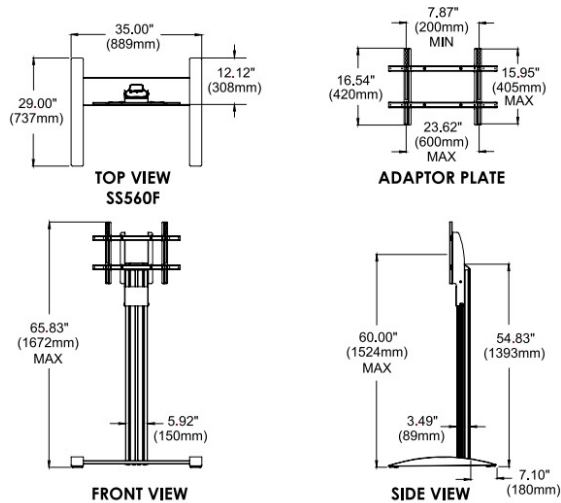
For 32" to 75" Displays

1. Display and optional component shelf can be located anywhere along the column for perfect placement and viewing height (up to 60" at center)
2. Integrated cable management protects, contains and conceals cables for a clean, professional installation
3. Wide base provides safety by preventing accidental tipping
4. Textured black powder coat finish helps hide finger prints and dust
5. Open frame display adaptor helps prevent display input interference
6. 5 degrees of negative adjustment keeps even the heaviest of displays level



For expanded product information and technical data visit [peerless-av.com](http://peerless-av.com)

## TECHNICAL DRAWINGS



To verify mount compatibility with any display or projector model use MountFinder™ at [peerless-av.com](http://peerless-av.com).

630-375-5100 | 800-865-2112 | [info@peerless-av.com](mailto:info@peerless-av.com) | [peerless-av.com](http://peerless-av.com)

## CARTS, STANDS, & DESKTOP MOUNTS



FLOOR CARTS & STANDS

### MODELS

#### Universal Models:

Includes theft resistant hardware for attaching display to mount  
**SS560F** Black

### DISPLAY ADAPTOR



#### VESA® Pattern

Universal Models: 200 x 200 up to 600 x 400mm

### SPECIFICATIONS



#### Tilt

0°-5°



#### Max Load

150lb (68.2kg) display

#### Product Dimensions (W x H x D)

35.00" x 65.83" x 29.00"  
 (889 x 1672 x 737mm)

#### Mounting Surfaces

All floor surfaces

#### Ship Weight

69.0lb (31.36kg)

### CERTIFICATIONS



### ACCESSORIES



#### ACC316:

Safety Belt ..... pg# 235



#### ACC-LA:

Laptop Arm ..... pg# 236



#### ACC-MS:

Metal Shelf ..... pg# 236



#### ACC-VCS:

Video Conferencing Camera Shelf ..... pg# 236



#### DSX750:

Media Player Storage ..... pg# 140



CARTS, STANDS, & DESKTOP MOUNTS



MODELS

Universal Models:

Includes theft resistant hardware for attaching display to mount  
**SS575K** Stand Black

DISPLAY ADAPTOR



VESA® Pattern

Universal Models: 200 x 200 up to 600 x 400mm

SPECIFICATIONS



Tilt

0°, +90°



Max Load

150lb (68.2kg) display  
 25lb (11.4kg) media player

Product Dimensions (W x H x D)

35.00" x 46.12" x 29.00"  
 (889 x 1172 x 737mm)

Mounting Surfaces

All floor surfaces

Ship Weight

61.5lb (27.95kg)

CERTIFICATIONS



ACCESSORIES



**ACC310:** Feet Accessory..... pg# 235



**ACC316:** Safety Belt..... pg# 235



**ACC320:** Electrical Outlet Strip with Cord Wrap..... pg# 235



**ACC-UCM:** Universal AV Component Mount..... pg# 218



**ACC-V900X:** 600, 800 and 900mm VESA® Adaptor..... pg# 235



**MIS995:** 800mm VESA® Adaptor.....pg# 235



**MOD-UNL2:** Large Universal Adaptor.....pg# 235



**RMI2C:** Rotational Mount Interface.....pg# 235

SMARTMOUNT

Universal Kiosk Stand

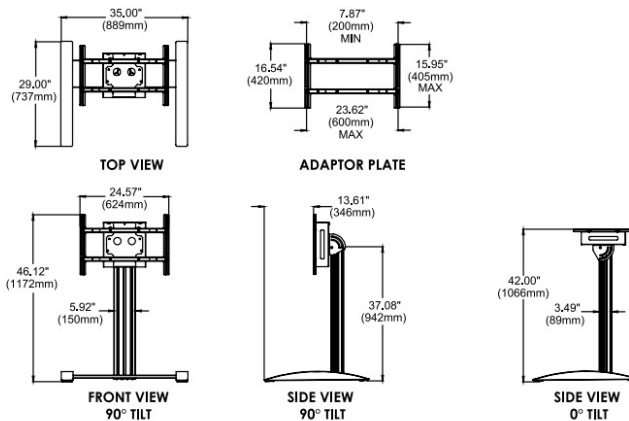
For 32" to 75" Displays and Touch Panels

1. Capable of +90° of tilt for kiosk and interactive applications
2. Secure media player storage below the display with simple access to the device without having to remove the display
3. Accommodates media players up to 3.42" x 12.00" x 11.31" (86 x 304 x 287mm)
4. Cables can enter and exit on either side anywhere along the column and are held in place with a high tech polymer cover
5. Base provides secure placement wherever needed
6. Textured black powder coat finish helps hide finger prints and dust
7. Open frame display adaptor helps prevent display input interference



TECHNICAL DRAWINGS

For expanded product information and technical data visit [peerless-av.com](http://peerless-av.com)



To verify mount compatibility with any display or projector model use MountFinder™ at [peerless-av.com](http://peerless-av.com).

# Flat Panel Floor Stand

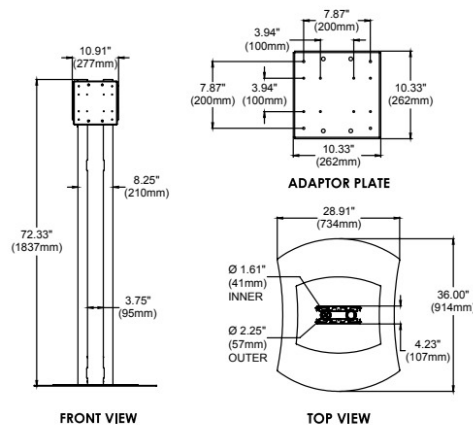
For up to 75" Displays

1. VESA® 100, 200 x 100 and 200 x 200mm compliant
2. Supports additional VESA® patterns with additional PLP display adaptor (sold separately)
3. Fits single or back-to-back displays (up to four with additional dual-display cartridge)
4. Portrait or landscape orientation
5. Integrated cable management protects, contains and conceals cables for a clean, professional installation
6. Height adjustable on 72" (1829mm) poles



For expanded product information and technical data visit [peerless-av.com](http://peerless-av.com)

## TECHNICAL DRAWINGS



To verify mount compatibility with any display or projector model use MountFinder™ at [peerless-av.com](http://peerless-av.com).

630-375-5100 | 800-865-2112 | [info@peerless-av.com](mailto:info@peerless-av.com) | [peerless-av.com](http://peerless-av.com)

## CARTS, STANDS, & DESKTOP MOUNTS



FLOOR CARTS & STANDS

### MODELS

#### Universal Models:

Display adaptor purchased separately for non-VESA® displays\* Includes theft resistant hardware for attaching display to mount

**FPZ-600** Black

\*Dedicated adaptor plates come in flat black and include security fasteners

### DISPLAY ADAPTOR



#### VESA® Pattern

Universal Models: 100, 200 x 100 and 200 x 200mm

### SPECIFICATIONS

**Height Adjustment**  
On 72" (1829mm) poles

**Max Load**  
200lb (90.7kg) per display up to four displays

**Product Dimensions (W x H x D)**  
28.91" x 72.33" x 36.00"  
(734 x 1837 x 914mm)

**Mounting Surfaces**  
All floor surfaces

**Ship Weight**

Box 1:	82.9lb (37.6kg)
Box 2:	17.6lb (7.9kg)
Box 3:	17.6lb (7.9kg)

### CERTIFICATIONS



### ACCESSORIES

- ACC604:** Dual-Display Cartridge ..... pg# 235
- ACC325:** Accessory Shelf ..... pg# 236
- ACC-DS-VW2X2:** Video Wall Conversion Kit ..... pg# 235
- ACC-UCM:** Universal AV Component Mount..... pg# 218
- PLP-V models:** Dedicated Adaptor Plates ..... pg# 232
- RM12C:** Rotational Mount Interface ..... pg# 235
- ACC340:** Media Player Shelf
- MIS-UNL:** Universal Display Adaptor for 32" to 75" Displays

Contact Peerless-AV Customer Care for more information.

CARTS, STANDS, & DESKTOP MOUNTS



MODELS

Universal Models:

Display adaptor purchased separately for non-VESA® displays\* Includes theft resistant hardware for attaching display to mount

**FPZ-670** Black

\*Dedicated adaptor plates come in flat black and include security fasteners

DISPLAY ADAPTOR



VESA® Pattern

Universal Models: 200 x 200mm

SPECIFICATIONS



Height Adjustment

On 72" (1829mm) poles



Max Load

400lb (181.4kg) total  
200lb (90.7kg) per display  
up to two displays

Product Dimensions (W x H x D)

39.94" x 72.33" x 48.00"  
(1015 x 1837 x 1219mm)

Mounting Surfaces

All floor surfaces



Ship Weight

Box 1: 165lb (74.8kg)  
Box 2: 17.6lb (7.9kg)  
Box 3: 17.6lb (7.9kg)

CERTIFICATIONS



ACCESSORIES



PLP-V models:

Dedicated Adaptor Plates ..... pg# 232



RM12C:

Rotational Mount Interface .....pg# 235



MIS-UNL:

Universal Display Adaptor  
for 32" to 75" Displays

Contact Peerless-AV Customer Care  
for more information.

# Flat Panel Floor Stand

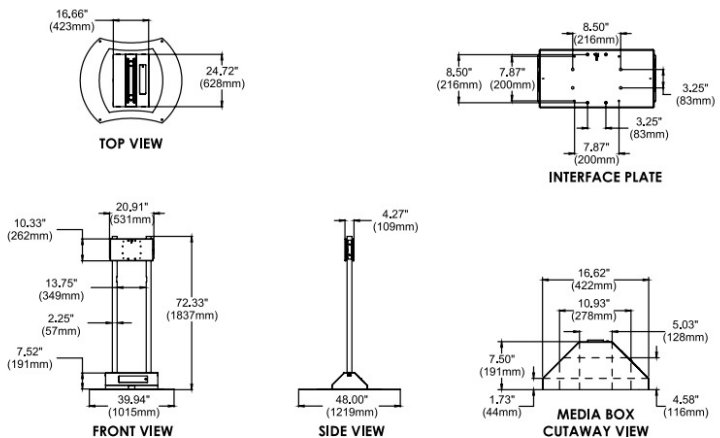
For up to 90" Displays

1. VESA® 200 x 200mm compliant
2. Supports additional VESA® patterns with additional PLP display adaptor (sold separately)
3. Internal cable management to easily route cables from the display to the base of the stand
4. Base cover is designed to conceal content drivers and surge protector
5. Hook-on design allows display to rest in place while display is being secured
6. Portrait or landscape orientation



TECHNICAL DRAWINGS

For expanded product information and technical data visit [peerless-av.com](http://peerless-av.com)



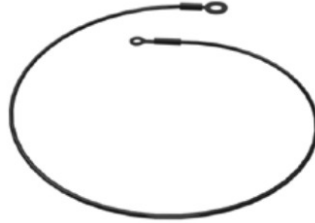
To verify mount compatibility with any display or projector model use MountFinder™ at [peerless-av.com](http://peerless-av.com).



# Display Base Lock-down Security Kits

For select display base stands and VESA® compliant displays

1. Compliant with all VESA® mounting hole patterns
2. Secures to virtually any wood surface
3. Neck security fasteners included for securing TV to base stand



## CARTS, STANDS, & DESKTOP MOUNTS



### MODELS

#### Universal Models:

Includes theft resistant hardware for attaching display to mount

**HLC-KIT** Black  
**HLC-KIT-Q10** (10-pack) Black

### SPECIFICATIONS



#### Max Load

HLC-KIT(-Q10): 100lb (45.3kg)

#### Product Dimensions (W x H x D)

HLC-KIT(-Q10): 30.00" (762mm)

#### Mounting Surfaces

HLC-KIT(-Q10): Wood surface

#### Ship Weight

HLC-KIT: 0.6lb (.27kg)  
HLC-KIT-Q10: 4lb (1.81kg)

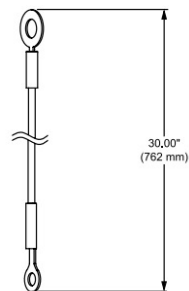
### CERTIFICATIONS

RoHS  
RECYCLED

TAA  
COMPLIANT

For expanded product information and technical data visit [peerless-av.com](http://peerless-av.com)

### TECHNICAL DRAWINGS



Side View

To verify mount compatibility with any display or projector model use MountFinder™ at [peerless-av.com](http://peerless-av.com).



630-375-5100



800-865-2112



[info@peerless-av.com](mailto:info@peerless-av.com)



[peerless-av.com](http://peerless-av.com)



**MODELS**

**Universal Models:**

Includes standard hardware (hex or Phillips) for attaching display to mount

**PTS4X4** Black

**DISPLAY ADAPTOR**



**VESA® Pattern**

Universal Models: 200 x 100, 400 x 400mm

**SPECIFICATIONS**



**Height Adjustment**

20.16"-25.67" (512-652mm)  
From the desktop to top mounting hole.



**Tilt | Swivel**

+10°/-5° | ±45°



**Max Load**

60lb (27.2kg)

**Product Dimensions (W x H x D)**

18.89" x 20.16"-25.67" x 11.00"  
(480 x 512-652 x 280mm)

**Mounting Surfaces**

Desktop

**Ship Weight**

18.3lb (8.3kg)

**CERTIFICATIONS**



**ACCESSORIES**



**HLC-KIT(-Q10):**

Display Security Kit ..... pg# 179

# Universal TV Stand with Swivel

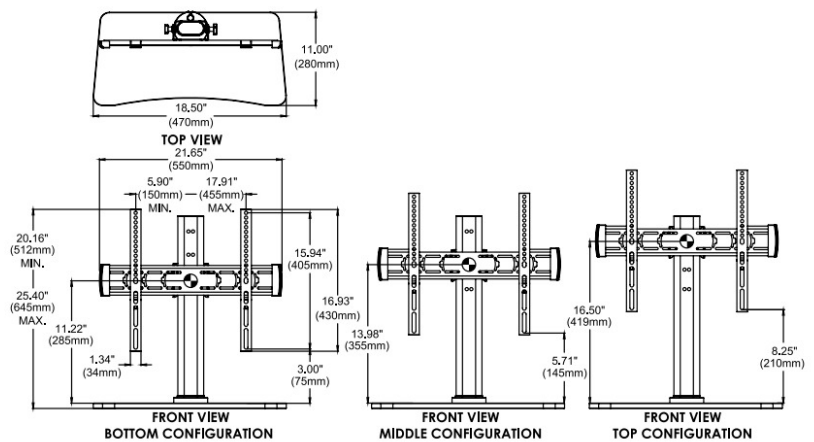
For 32" to 60" Displays

1. Built-in ±45° swivel allows multiple viewing positions
2. +10°/-5° vertical tilt movement for the ideal viewing angle
3. Hook-And-Hang™ system offers easy, one-person installation
4. Anti-slip rubber feet provide a stable base that prevents unintentional movement while adjusting the TV
5. Universal mounting pattern accommodates a variety of TVs up to a 400 x 400mm VESA® pattern
6. The draw cords allow safe attachment and removal of the display without tools
7. Rear cable management along the column hides unsightly cables, while also providing easy access for replacing or adding a new HDMI cable



**TECHNICAL DRAWINGS**

For expanded product information and technical data visit [peerless-av.com](http://peerless-av.com)



To verify mount compatibility with any display or projector model use MountFinder™ at [peerless-av.com](http://peerless-av.com).

# Universal TV Stand with Swivel

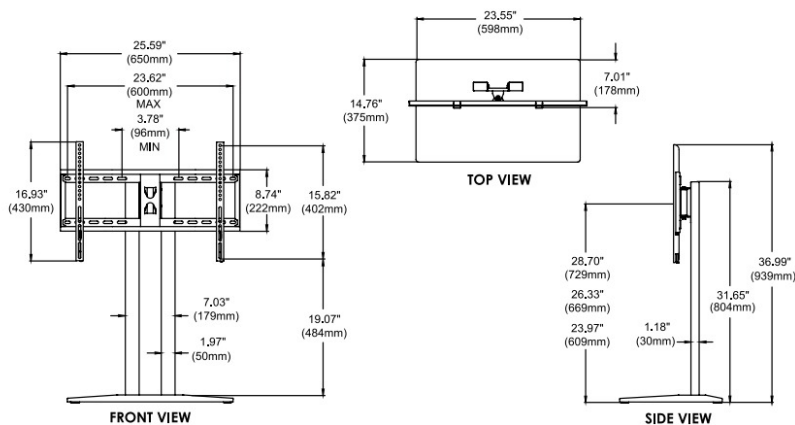
For 55" to 85" Displays

1. Built-in  $\pm 25^\circ$  swivel allows multiple viewing positions
2.  $+3^\circ/-0^\circ$  vertical tilt movement for the ideal viewing angle
3. Hook-And-Hang™ system offers easy, one-person installation
4. Anti-slip rubber feet provide a stable base that prevents unintentional movement while adjusting the TV
5. Universal mounting pattern accommodates a variety of TVs up to a 600 x 400mm VESA® pattern
6. Includes all standard hardware and tools for mounting your TV
7. Reinforced steel base provides stable platform for your TV while providing a high tech look



For expanded product information and technical data visit [peerless-av.com](http://peerless-av.com)

## TECHNICAL DRAWINGS



To verify mount compatibility with any display or projector model use MountFinder™ at [peerless-av.com](http://peerless-av.com).

630-375-5100 | 800-865-2112 | [info@peerless-av.com](mailto:info@peerless-av.com) | [peerless-av.com](http://peerless-av.com)

## CARTS, STANDS, & DESKTOP MOUNTS



### MODELS

#### Universal Models:

Includes standard hardware (hex or Phillips) for attaching display to mount

**PTS6X4** Black

### DISPLAY ADAPTOR



#### VESA® Pattern

Universal Models: 600 x 400mm

### SPECIFICATIONS



#### Height Adjustment

23.97-28.70" (609-729mm)  
From the desktop to top mounting hole.



#### Tilt | Swivel

$+3^\circ/-0^\circ$  |  $\pm 25^\circ$



#### Max Load

115lb (52.2kg)

#### Product Dimensions (W x H x D)

25.59" x 36.99" x 14.76"  
(650 x 939 x 375mm)

#### Mounting Surfaces

Desktop

#### Ship Weight

28.0lb (12.7kg)

### CERTIFICATIONS

**RoHS**

### ACCESSORIES



#### HLC-KIT(-Q10):

Display Security Kit ..... pg# 179





MODELS

Universal Models:

Includes theft resistant hardware for attaching display to mount

**HP432-002** Black

DISPLAY ADAPTOR



VESA® Pattern

Universal Models: 100 x 100, 200 x 100 or 200 x 200mm

SPECIFICATIONS

	<b>Height Adjustment</b>	16.04"-21.76" (407-553mm) From the desktop to top mounting hole.
	<b>Swivel</b>	±30°
	<b>Max Load</b>	80lb (36.4kg)
	<b>Product Dimensions (W x H x D)</b>	8.75" x 22.50" x 4.00" (222 x 572 x 102mm)
	<b>Mounting Surfaces</b>	Desktop
	<b>Ship Weight</b>	6.7lb (3kg)

CERTIFICATIONS



ACCESSORIES



**ACC-UCM:**  
Universal AV  
Component Mount..... pg# 218

# Desktop Swivel Mount

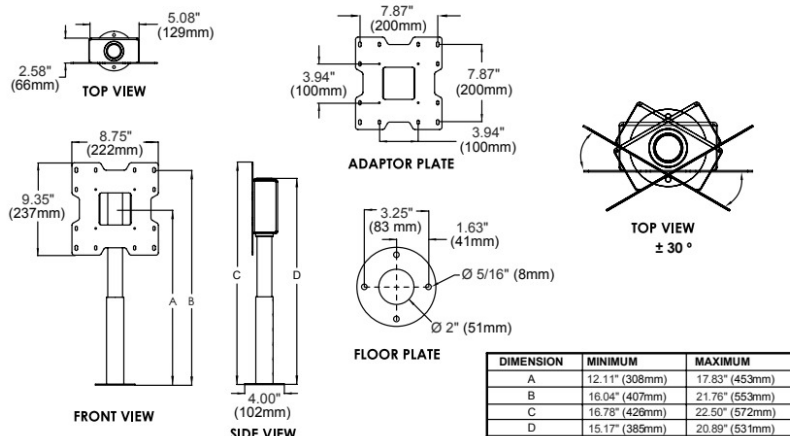
## For 26" to 37" Displays

1. Built-in 60° maximum swivel, 30° each side allows for a variety of viewing angles
2. Base stand plate bolts down for safety and security
3. Adjustable height allows one mount to accommodate a variety of screens
4. Built in adaptor plate is VESA® 200 x 200, 200 x 100, 100 x 200 and 100 x 100mm compatible
5. Security screws prevent tampering and theft



TECHNICAL DRAWINGS

For expanded product information and technical data visit [peerless-av.com](http://peerless-av.com)



To verify mount compatibility with any display or projector model use MountFinder™ at [peerless-av.com](http://peerless-av.com).

# Desktop Swivel Mount

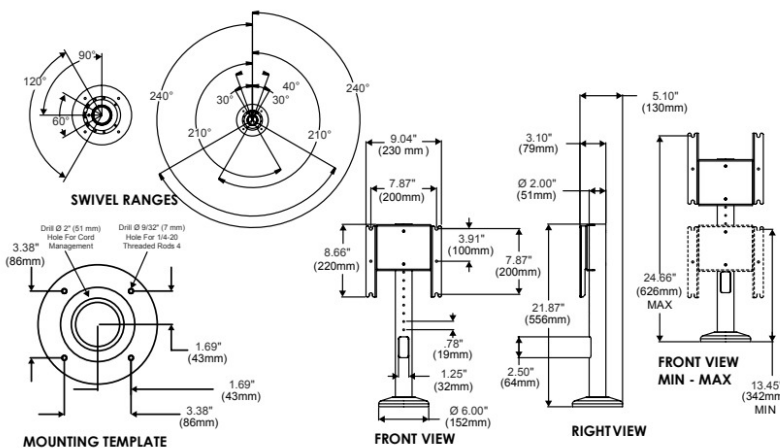
## For 32" to 47" Displays

1. Built-in swivel up to 360° allows for optimum viewing angle
2. Base stand bolts down for safety and security
3. Adjustable height allows for greater flexibility
4. Cable management internally through the mount and down through the mounting surface
5. Decorative base is aesthetically pleasing and hides desktop mounting hardware
6. Built-in adaptor plate is VESA® 200 x 100 and 200 x 200mm compliant
7. Increased depth adaptor plate allows for the jack pack protrusion on the backside of the TV
8. Security screws prevent tampering and theft



For expanded product information and technical data visit [peerless-av.com](http://peerless-av.com)

### TECHNICAL DRAWINGS



To verify mount compatibility with any display or projector model use MountFinder™ at [peerless-av.com](http://peerless-av.com).

630-375-5100 | 800-865-2112 | [info@peerless-av.com](mailto:info@peerless-av.com) | [peerless-av.com](http://peerless-av.com)

### CARTS, STANDS, & DESKTOP MOUNTS



### MODELS

#### Universal Models:

Includes theft resistant hardware for attaching display to mount

**HP447** Black

### DISPLAY ADAPTOR



#### VESA® Pattern

Universal Models: 200 x 100, 200 x 200mm

### SPECIFICATIONS

#### Height Adjustment

13.45"-24.66" (342-626mm)  
From the desktop to top mounting hole.

#### Swivel

360° of swivel with stops at  
0°, ±20°, ±30°, ±60°, ±90°,  
210° and 240°



#### Max Load

75lb (34.1kg)

#### Product Dimensions (W x H x D)

9.04" x 21.87" x 6.00"  
(230 x 556 x 152mm)

#### Mounting Surfaces

Desktop

#### Ship Weight

11.7lb (5.3kg)

### CERTIFICATIONS



### ACCESSORIES



**ACC-UCM:**  
Universal AV  
Component Mount..... pg# 218



**MODELS**

**Universal Models:**

Includes theft resistant hardware for attaching display to mount

**HP455** Black

**DISPLAY ADAPTOR**



VESA® Pattern

Universal Models: 200 x 200, 400 x 200, 300 x 300 and 400 x 400mm

**SPECIFICATIONS**



**Height Adjustment**

19.55"-26.44" (497-672mm)  
From the desktop to top mounting hole.



**Swivel**

360° of swivel with stops at 0°, ±20°, ±30°, ±60°, ±90°, 210° and 240°



**Max Load**

75lb (34.1kg)

**Product Dimensions (W x H x D)**

17.00" x 27.00" x 6.00"  
(432 x 686 x 152mm)

**Mounting Surfaces**

Desktop

**Ship Weight**

11lb (5kg)

**CERTIFICATIONS**



**ACCESSORIES**



**ACC-UCM:**  
Universal AV  
Component Mount..... pg# 218

# Desktop Swivel Mount

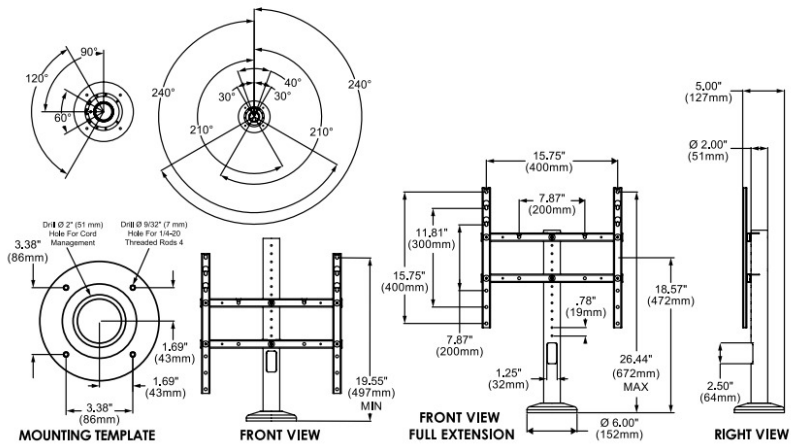
For 49" to 55" Displays

1. Built-in swivel up to 360° allows for optimum viewing angle
2. Base bolts down for safety and security
3. Adjustable height allows for greater flexibility
4. Cable management internally through the mount and down through the mounting surface
5. Decorative base is aesthetically pleasing and hides desktop mounting hardware
6. Built in VESA® adaptor plate
7. Includes security hardware that helps deter tampering and theft



**TECHNICAL DRAWINGS**

For expanded product information and technical data visit [peerless-av.com](http://peerless-av.com)



To verify mount compatibility with any display or projector model use MountFinder™ at [peerless-av.com](http://peerless-av.com).

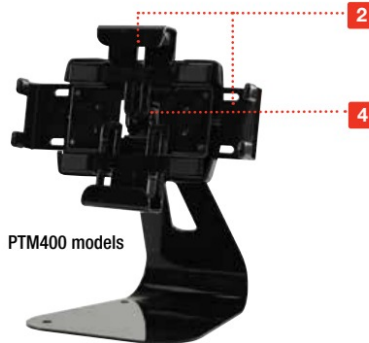


# Universal Desktop Tablet Mount & Universal Tablet Cradle

For Tablets less than 0.75" (19mm) deep

## PTM400 models

1. Cradle provides adjustable height and width, providing a universal fit for most tablets
2. Stylish cover for complementary aesthetics
3.  $\pm 30^\circ$  of One-Touch™ tilt and swivel
4.  $360^\circ$  of roll for versatile placement options
5. Option to place on desk or secure down with theft resistant security screws
6. Two color options available for coordinating with tablet aesthetics



PTM400 models

## PTM200 models

1. Cradle provides adjustable height and width, providing a universal fit for most tablets
2. Easily attaches to any 75 x 75mm VESA® mount
3. Stylish cover for complementary aesthetics
4. Theft-resistant security kit available



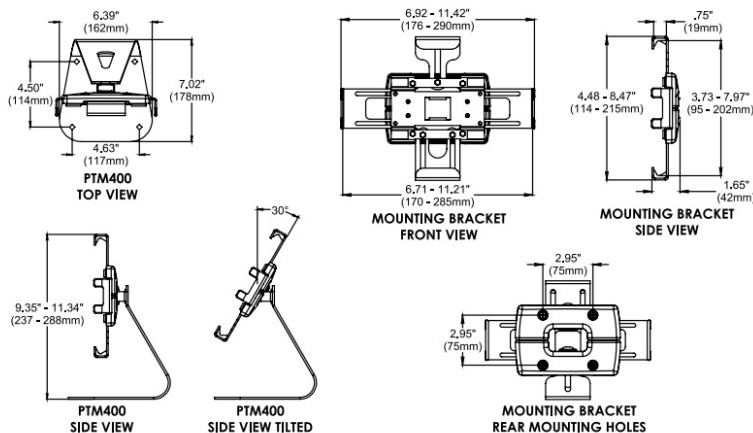
PTM200 models

Note: Tablet and wall mount not included

Please visit [peerless-av.com/en-us/patents](http://peerless-av.com/en-us/patents) for patent information.

For expanded product information and technical data visit [peerless-av.com](http://peerless-av.com)

## TECHNICAL DRAWINGS



To verify mount compatibility with any display or projector model use MountFinder™ at [peerless-av.com](http://peerless-av.com).

630-375-5100 | 800-865-2112 | [info@peerless-av.com](mailto:info@peerless-av.com) | [peerless-av.com](http://peerless-av.com)

## CARTS, STANDS, & DESKTOP MOUNTS



## MODELS

### Universal Models:

Includes theft resistant hardware for attaching tablet to mount

**PTM400S\*** Black  
**PTM400S-W\*** White

Includes standard hardware (hex or Phillips) for attaching display to mount

**PTM200\*** Black  
**PTM400\*** Black  
**PTM400-W\*** White

\* Designed for use with tablets that are less than 0.75" (19mm) deep

## DISPLAY ADAPTOR



### VESA® Pattern

75 x 75mm

## SPECIFICATIONS



### Tilt | Swivel | Roll

PTM400 models:  $\pm 30^\circ$  |  $\pm 30^\circ$  |  $\pm 360^\circ$



### Max Load

5lb (2.3kg)



### Landscape to Portrait

PTM400 models: Tablet can be rotated from landscape to portrait without removing the tablet

### Product Dimensions (W x H x D)

PTM200 models: 6.92"-11.42" x 4.48"-8.47" x 1.65"  
(176-290 x 114-215 x 42mm)

PTM400 models: 6.71"-11.21" x 9.35"-11.34" x 7.02"  
(170-285 x 237-288 x 178mm)

### Mounting Surfaces

PTM200 models: Any 75 x 75mm VESA® mount

PTM400 models: Desktop

## ACCESSORIES



**ACC954:**  
Theft Resistant Security Kit .... pg# 234

### PTM200 models accessories:



**SF630 models:**  
SmartMount® Universal Flat Wall Mount ..... pg# 76



**ST630 models:**  
SmartMount® Universal Tilt Wall Mount..... pg# 86



**SP730:**  
SmartMount® Pivoting Wall Mount..... pg# 94



**PP730:**  
Paramount™ Pivoting Wall Mount..... pg# 118



**SA730P:**  
SmartMount® Articulating Wall Mount..... pg# 102



**PA730:**  
Paramount™ Articulating Wall Mount..... pg#120



**LCT models:**  
Desktop Mounts..... pg# 187-192





MODELS

Dedicated Models:

Includes theft resistant hardware for attaching tablet to mount

<b>PTS510I</b>	Black
<b>PTS510I-S</b>	Silver
<b>PTS510I-W</b>	White

SPECIFICATIONS

 <b>Max Load</b>	5lb (2.3kg)
 <b>Landscape to Portrait</b>	Tablet can be rotated from landscape to portrait without removing the tablet
<b>Product Dimensions (W x H x D)</b>	11.50" x 49.36" x 11.50" (292 x 1254 x 292mm)
<b>Mounting Surfaces</b>	All floor surfaces
<b>Ship Weight</b>	38lb (17.3kg)

CERTIFICATIONS



# Kiosk Floor Stand

## For iPad® Tablets

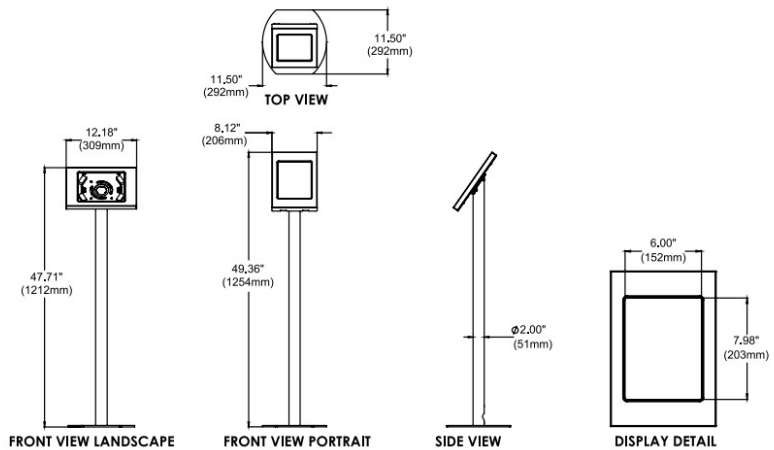
1. Optimized for tablets such as the iPad2, iPad3, or iPad with Retina display
2. Quickly rotates from landscape to portrait with the release of the spring pin
3. Internal cable management creates an aesthetically pleasing appearance
4. Cable management options include routing through the base or through the rear bottom of the pole
5. Socket pin security screws keep the tablet secured within the enclosure
6. Base can be free standing or bolted to the floor to increase security



Note: Tablet not included

TECHNICAL DRAWINGS

For expanded product information and technical data visit [peerless-av.com](http://peerless-av.com)



To verify mount compatibility with any display or projector model use MountFinder™ at [peerless-av.com](http://peerless-av.com).

# Monitor Desktop Stand

For up to 38" Monitors

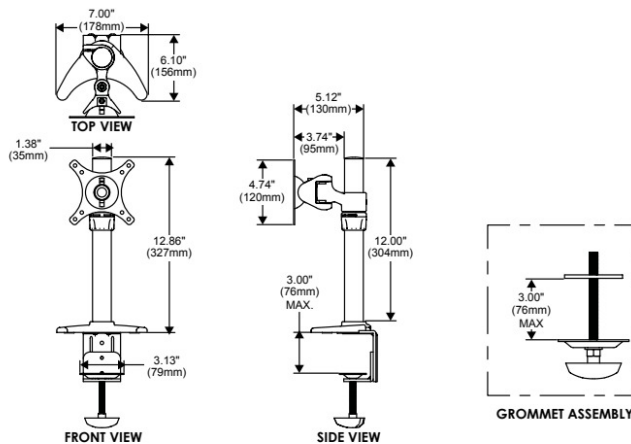
1. Desk clamp and grommet mount option
2. Aluminum post provides sturdy and durable support
3. Height adjustment up to 12.6" (320mm)
4. Cable management clips to help keep cables organized



Please visit [peerless-av.com/en-us/patents](http://peerless-av.com/en-us/patents) for patent information.

For expanded product information and technical data visit [peerless-av.com](http://peerless-av.com)

## TECHNICAL DRAWINGS



To verify mount compatibility with any display or projector model use MountFinder™ at [peerless-av.com](http://peerless-av.com).

630-375-5100 | 800-865-2112 | [info@peerless-av.com](mailto:info@peerless-av.com) | [peerless-av.com](http://peerless-av.com)

## CARTS, STANDS, & DESKTOP MOUNTS



### MODELS

#### Universal Models:

Includes standard hardware (hex or Phillips) for attaching display to mount  
**LCT100S** Black

### DISPLAY ADAPTOR



#### VESA® Pattern

Universal Models: 75 and 100mm

### SPECIFICATIONS



#### Tilt | Swivel

±40° | 180°



#### Max Load

20lb (9kg)

#### Product Dimensions (W x H x D)

7.00" x 16.00" x 6.10"  
 (178 x 406 x 156mm)

#### Mounting Surfaces

Desktop

#### Ship Weight

6.2lb (2.8kg)

### CERTIFICATIONS



### ACCESSORIES



#### PTM200:

Universal Tablet Cradle ..... pg# 185



#### ACC918:

Security Fasteners ..... pg# 234



#### ACC450:

VESA® 200 x 200mm  
 Accessory Plate ..... pg# 232





MODELS

Universal Models:

- Includes standard hardware (hex or Phillips) for attaching display to mount
- Clamp Base**
- LCT620A** Polished aluminum with black base
- Grommet Base**
- LCT620A-G** Polished aluminum with black base

DISPLAY ADAPTOR



VESA® Pattern

Universal Models: 75 and 100mm

SPECIFICATIONS

	<b>Tilt   Swivel   Roll</b>	+45°/-90°   180°   360°
	<b>Max Load</b>	8.4-17.8lb (3.8-8.1kg) per arm
	<b>Landscape to Portrait</b>	Monitor can be rotated from landscape to portrait without removing the monitor
	<b>Product Dimensions (W x H x D)</b>	See technical drawing
	<b>Mounting Surfaces</b>	Desktop / Counter top
	<b>Ship Weight</b>	11.66lb (5.3kg)

CERTIFICATIONS



ACCESSORIES



**PTM200:**  
Universal Tablet Mount ..... pg# 185



**ACC328:**  
Laptop Tray ..... pg# 236



**ACC918:**  
Security Fasteners ..... pg# 234



**ACC450:**  
VESA® 200 x 200mm  
Accessory Plate ..... pg# 232

# Single Monitor Desktop Arm Mount

For up to 38" Monitors

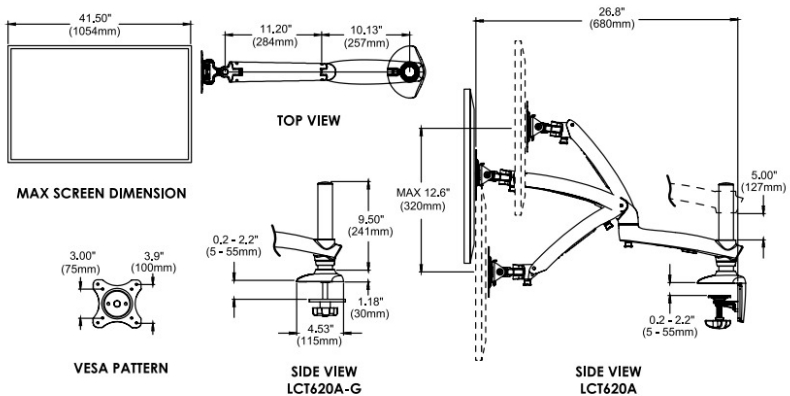
1. Arm extends up to 22.00" (559mm) with height adjustment range of 12.60" (320mm)
2. Integrated cable management provides clean, professional installation
3. LCT620A supplied with clamp-on style mounting base
4. LCT620A-G supplied with grommet style mounting base
5. Expertly finished polished aluminum arm provides attractive and durable support



Note: Tablet not included

TECHNICAL DRAWINGS

For expanded product information and technical data visit [peerless-av.com](http://peerless-av.com)



To verify mount compatibility with any display or projector model use MountFinder™ at [peerless-av.com](http://peerless-av.com).

# Dual Monitor Desktop Arm Mount

For up to 38" Monitors

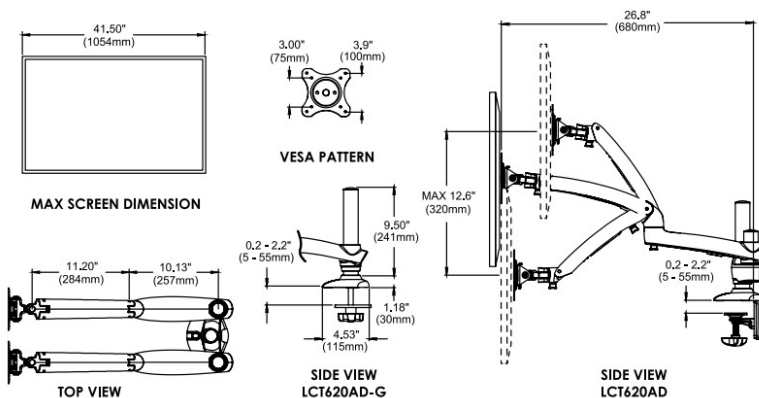
1. Arms extend up to 22.00" (559mm) with height adjustment range of 12.60" (320mm)
2. Integrated cable management provides clean, professional installation
3. LCT620AD supplied with clamp-on style mounting base
4. LCT620AD-G supplied with grommet style mounting base
5. Expertly finished polished aluminum arms provide attractive and durable support



Please visit [peerless-av.com/en-us/patents](http://peerless-av.com/en-us/patents) for patent information.

For expanded product information and technical data visit [peerless-av.com](http://peerless-av.com)

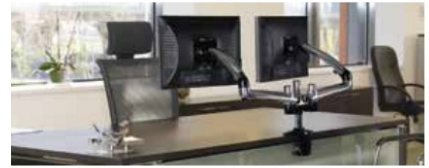
## TECHNICAL DRAWINGS



To verify mount compatibility with any display or projector model use MountFinder™ at [peerless-av.com](http://peerless-av.com).

630-375-5100 | 800-865-2112 | [info@peerless-av.com](mailto:info@peerless-av.com) | [peerless-av.com](http://peerless-av.com)

## CARTS, STANDS, & DESKTOP MOUNTS



### MODELS

#### Universal Models:

Includes standard hardware (hex or Phillips) for attaching display to mount

#### Clamp Base

**LCT620AD** Polished aluminum with black base

#### Grommet Base

**LCT620AD-G** Polished aluminum with black base

### DISPLAY ADAPTOR



#### VESA® Pattern

Universal Models: 75 and 100mm

### SPECIFICATIONS



#### Tilt | Swivel | Roll

+45°/90° | 180° | 360°



#### Max Load

8.4-17.8lb (3.8-8.1kg) per arm



#### Landscape to Portrait

Monitor can be rotated from landscape to portrait without removing the monitor

#### Product Dimensions (W x H x D)

See technical drawing

#### Mounting Surfaces

Desktop / Counter top

#### Ship Weight

20.90lb (9.5kg)

### CERTIFICATIONS



### ACCESSORIES



#### PTM200:

Universal Tablet Mount ..... pg# 185



#### ACC328:

Laptop Tray ..... pg# 236



#### ACC918:

Security Fasteners ..... pg# 234



#### ACC450:

VESA® 200 x 200mm  
Accessory Plate ..... pg# 232



MODELS

Universal Models:

Includes standard hardware (hex or Phillips) for attaching display to mount

**LCT650SD** Black

DISPLAY ADAPTOR



VESA® Pattern

Universal Models: 75 x 75mm & 100 x 100mm

SPECIFICATIONS



Max Load

60lb (27.2g)

Product Dimensions (W x H x D)

27.70" x 29.80" x 14.38"  
(704 x 757 x 365mm)

Mounting Surfaces

Desktop

Ship Weight

25.2lb (11.4 kg)

CERTIFICATIONS



# 1x2 Freestanding Desktop Stand

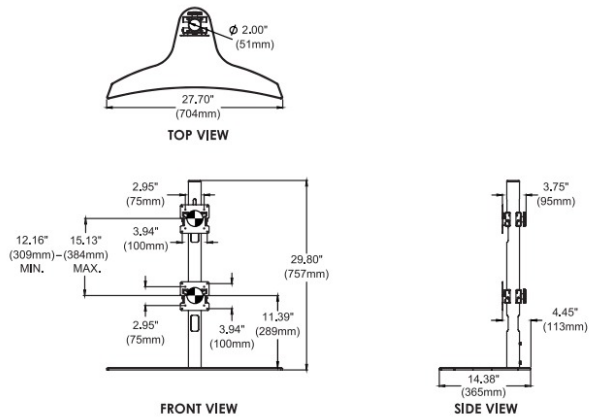
For 24" to 49" ULTRA-WIDE CURVED MONITORS

1. Universal design works with 24" to 49" ultra-wide curved or flat monitors with 75 x 75 or 100 x 100mm VESA® patterns
2. The top monitor can be adjusted vertically along the column to provide the proper spacing for stacking two monitors
3. Internal cable management conceals all cabling for a clean and clutter free installation
4. Low profile base is freestanding for convenient set up
5. Hook-and-Hang™ adaptors help reduce installation and maintenance time, and allow monitors to be swapped out quickly



TECHNICAL DRAWINGS

For expanded product information and technical data visit [peerless-av.com](http://peerless-av.com)



To verify mount compatibility with any display or projector model use MountFinder™ at [peerless-av.com](http://peerless-av.com).



# 1x2 Bolt Down Desktop Mount

For 43" & 49" **SAMSUNG** SUPER ULTRA-WIDE CURVED MONITORS

1. Dedicated to work with Samsung Super Ultra-Wide Curved Monitors (CJ890 Series)

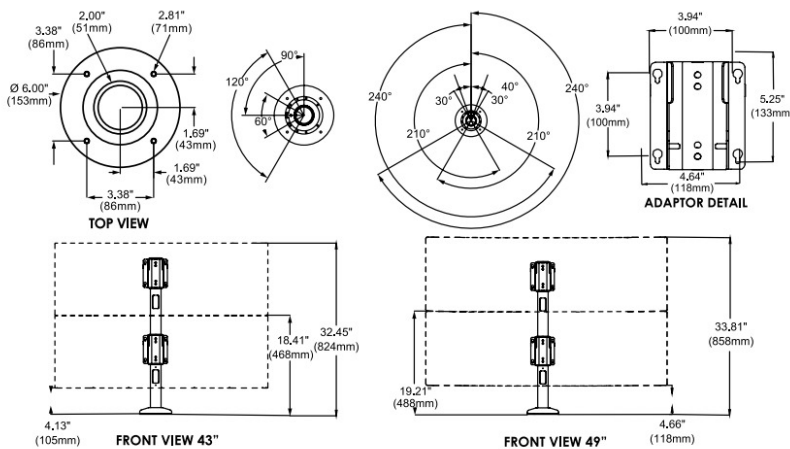
43": LC43J890DKNXZA  
 49": C49J890DKN  
 LC49HG90DMNXZA  
 C49HG90DMN  
 LC49RG90SSNXZA  
 C49RG90SSN

2. Pull pin design allows the user to service each monitor individually, which minimizes workflow disruptions
3. Additional Quick Release Accessories (ACC-MIS38426) is designed to fit with a single, mounted monitor
4. Internal cable management allows cables to be routed through the mount and into the mounting surface for a clean and clutter free installation
5. Base bolts down for safety and security
6. Security screws included to deter tampering and theft
7. Decorative base is aesthetically pleasing and hides desktop mounting hardware
8. Up to 360° swivel



For expanded product information and technical data visit [peerless-av.com](http://peerless-av.com)

## TECHNICAL DRAWINGS



## CARTS, STANDS, & DESKTOP MOUNTS



## MODELS

### Universal Models:

Includes standard hardware (hex or Phillips) for attaching display to mount  
**B-MIS38426** Black

## DISPLAY ADAPTOR



### VESA® Pattern

Universal Models: 100 x 100mm

## SPECIFICATIONS

	Swivel
	360°
	Max Load
	60lb (27.2g)
Product Dimensions	(W x H x D)
	6.00" x 29.50" x 6.00" (153 x 750 x 153mm)
Mounting Surfaces	Desktop
	Ship Weight
	15lb (7kg)

## CERTIFICATIONS



## ACCESSORIES



### ACC-MIS38426: Quick Release Accessory

Contact Peerless-AV Customer Care for more information.

To verify mount compatibility with any display or projector model use MountFinder™ at [peerless-av.com](http://peerless-av.com).

630-375-5100 | 800-865-2112 | [info@peerless-av.com](mailto:info@peerless-av.com) | [peerless-av.com](http://peerless-av.com)



**MODELS**

**Universal Models:**  
Includes standard hardware (hex or Phillips) for attaching display to mount  
**Wall Mounted LCW620A** Polished aluminum with black base

**DISPLAY ADAPTOR**



**VESA® Pattern**

**Universal Models:** 75 and 100mm

**SPECIFICATIONS**

	<b>Distance from Wall</b>	See technical drawing
	<b>Tilt   Swivel   Roll</b>	+45°/-90°   180°   360°
	<b>Max Load</b>	8.4-17.8lb (3.8-8.1kg) per arm
	<b>Landscape to Portrait</b>	Monitor can be rotated from landscape to portrait without removing the monitor
<b>Product Dimensions (W x H x D)</b>		
See technical drawing		
<b>Mounting Surfaces</b>		
Wood, Concrete, Cinder Block or Breeze Block		
<b>Ship Weight</b>		
9.46lb (4.3kg)		

**CERTIFICATIONS**



**ACCESSORIES**

- PTM200:** Universal Tablet Mount ..... pg# 185
- ACC328:** Laptop Tray ..... pg# 236
- ACC918:** Security Fasteners ..... pg# 234
- ACC450:** VESA® 200 x 200mm Accessory Plate ..... pg# 232

# Single Wall Mounted Desktop Arm

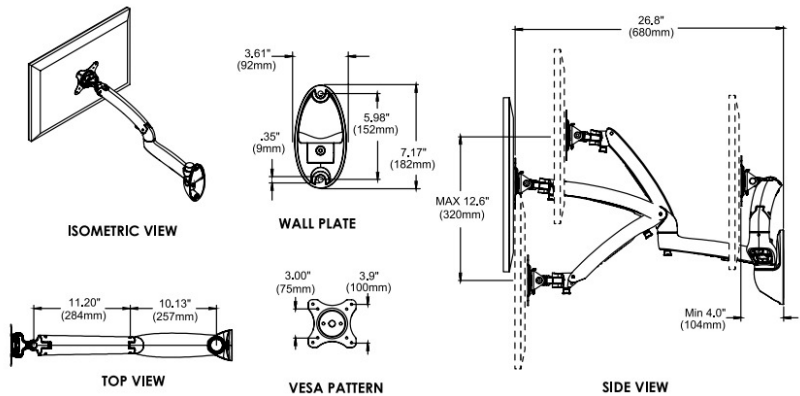
For up to 38" Monitors

1. Arms extend up to 22.0" (559mm) with height adjustment range of 12.60" (320mm)
2. Integrated cable management provides clean, professional installation finish
3. Expertly finished polished aluminum arms provide attractive and durable support



**TECHNICAL DRAWINGS**

For expanded product information and technical data visit [peerless-av.com](http://peerless-av.com)



To verify mount compatibility with any display or projector model use MountFinder™ at [peerless-av.com](http://peerless-av.com).



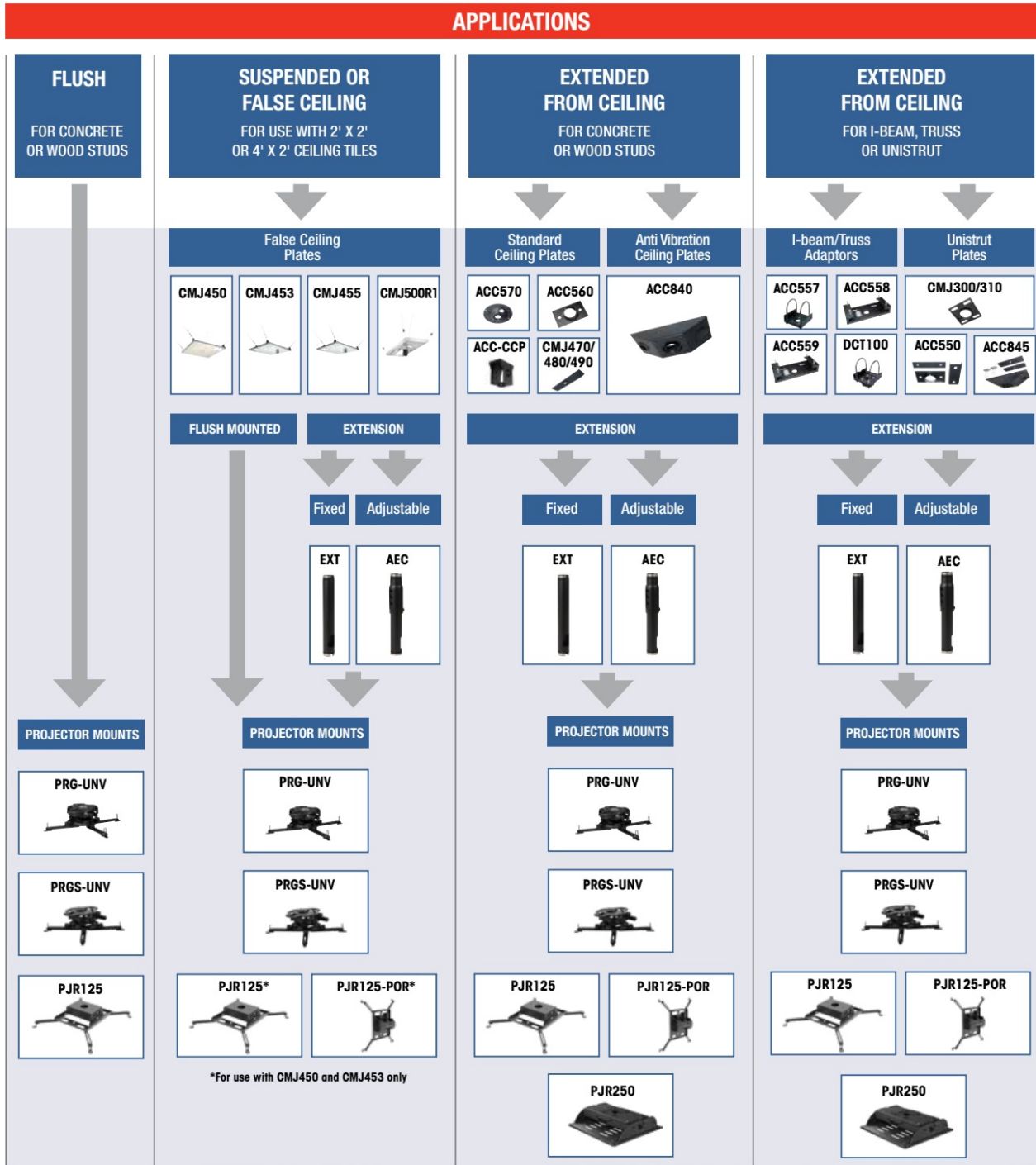
# PROJECTOR & WHITEBOARD MOUNTS

---



# Projector Mount and Accessories Selection Guide

Choose the perfect combination of projector mount and accessories to make your installation simpler than ever. Refer to the chart below for a quick reference selection guide to build the ideal mount and required accessories.



For projector mount accessories, see pages 228-232.



**CEILING MOUNTS**

**PRG-1/PRG-UNV Models**  
PRG Projector Mount  
for Projectors up to 50lb (22kg)..... pg# 194

**PRGS-UNV Models/PRGS-455**  
PRGS Projector Mount  
for Projectors up to 50lb (22kg)..... pg# 195

**PJR125/PJR125-POR Models**  
Heavy Duty Projector Mounts  
for Laser/LED Projectors up to 125lb ..... pg# 196

**PJR250**  
Heavy Duty Projector Mount for Large Venue  
Projectors up to 250lb (113.4kg) ..... pg# 197

**PSM-UNV Models**  
PSM Security Projector Mounts  
for Projectors up to 50lb (22kg)..... pg# 198

**PE1120 Models**  
Projector Enclosure for use  
with Peerless-AV® Projector Mounts ..... pg# 199

**MOD-PRGSKIT Models**  
Modular Series Projector Mount Ceiling Kits  
and Individual Components to 'Build Your Own'  
Solutions for Projectors up to 50lb (22kg) ..... pg# 200-201

**SHORT-THROW MOUNTS**

**PSTA-028 Models**  
**PSTA-2955 Models**  
Short Throw Projector Mounts  
for Projectors up to 50lb (22kg)..... pg# 202

**PSTK-028 Models**  
**PSTK-2955 Models**  
Short Throw Projector Mounts  
for Projectors up to 50lb (22kg)..... pg# 203

**WHITEBOARD MOUNTS**

**IWB600-UNIV**  
Universal Whiteboard Mount  
for Attaching Over Existing  
Marker Boards and Chalkboards..... pg# 204

**IWB680-W**  
Universal Whiteboard Mount  
for Attaching Over Existing  
Marker Boards and Chalkboards..... pg# 205

**IWB600-WB**  
Dedicated Whiteboard Mount  
for Attaching Over Existing  
Marker Boards and Chalkboards..... pg# 206

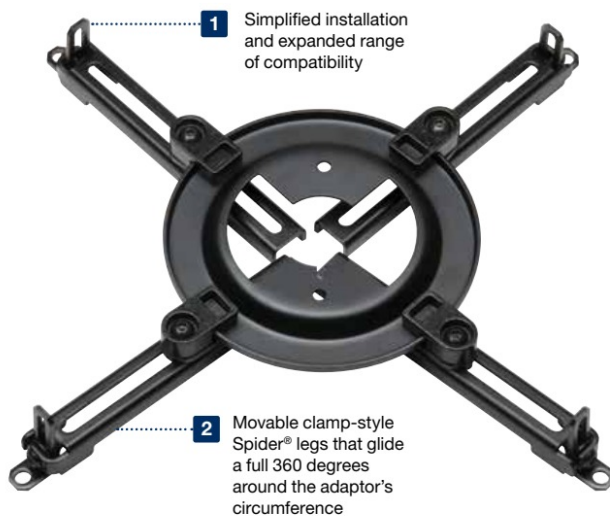
**IWB600-2SB**  
Dedicated Whiteboard Mount  
for Attaching Over Existing  
Marker Boards and Chalkboards..... pg# 207

**PROJECTOR ACCESSORIES**

**AEC/EXT Models**  
Adjustable and Fixed Extension Columns  
for up to 500lb (227kg) ..... pg# 208

**PROJECTOR MOUNTING MADE EASY**

The patented Spider® Universal Adaptor Plate clamp-style technology simplifies installation and enhances compatibility.



- **Simplified installation and leg adjustment**  
Eliminate time consuming adjustments with easy-to-use clamps that smoothly glide along a 360° path to your desired location and tighten to secure each leg into place
- **Expanded range of compatibility**  
Adaptor legs are designed with larger adaptor plate circumference and 100% guaranteed compatibility with Peerless-AV® popular projector mount models
- **Color choices**  
Choose from a selection of colors to match the installation: Available in black, silver and white





MODELS

Universal Models:

Includes theft resistant hardware for attaching projector to mount

- PRG-UNV** Black
- PRG-UNV-W** White

Dedicated Models:

Projector adaptor purchased separately\*

- PRG-1(-W)** Black or white

\* Dedicated adaptor plates available in flat black and include security fasteners

PROJECTOR ADAPTOR



Mounting Pattern

Universal Models: Up to 17.63" (448mm)

Dedicated Models: Requires projector specific adaptor plate to be purchased separately.

SPECIFICATIONS



Pitch | Swivel (during installation) | Roll

±20° | 360° (±15° when flush mounted) | ±10°



Max Load

50lb (22kg)

Product Dimensions (W x H x D)

Universal Models: 8.50"-17.63" x 3.81"-4.81" x 8.50"-17.63" (216-448 x 97-122 x 216-448mm)

Dedicated Models: 5.58" x 2.47" x 5.58" (142 x 63 x 142mm)

Mounting Surfaces

Wood joist, concrete and other structures (Other structures require accessory)

Ship Weight

Universal Models: 3.78lb (1.72kg)  
Dedicated Models: 1.8lb (.82kg)

CERTIFICATIONS



ACCESSORIES



**ACC, CMJ Models:**  
Ceiling Plates .....pg# 228, 230



**AEC and EXT Models:**  
Extension Columns ..... pg# 208, 229



**PWA-14(S)(W):**  
Projector Wall Arm ..... pg# 230

# PRG Projector Mount

For Projectors up to 50lb (22kg)

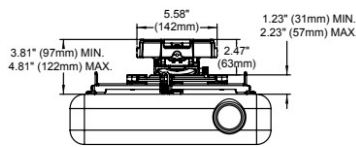
1. Spider® Universal Adaptor Plate extends up to 17.63" (448mm) to fit most projector models
2. Precision gearing provides ImageLock™ alignment to accurately hold image position, virtually eliminating any sag or drift
3. Two adjustment knobs control pitch and roll image alignment. Engage using a Phillips screwdriver or extend knobs to adjust by hand
4. Cable management allows cables to be routed through projector mount and out of sight
5. Quick-release mechanism to easily service projector
6. Pre-installed security screws provide optional pitch and roll lock to prevent tampering and adjustments



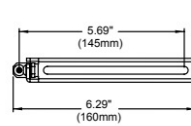
Please visit [peerless-av.com/en-us/patents](http://peerless-av.com/en-us/patents) for patent information.

TECHNICAL DRAWINGS

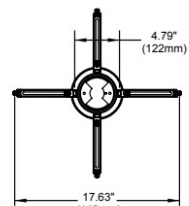
For expanded product information and technical data visit [peerless-av.com](http://peerless-av.com)



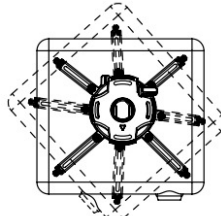
FRONT VIEW



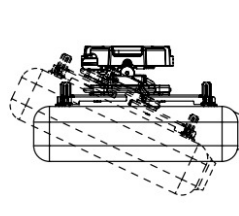
ADAPTOR CHANNEL



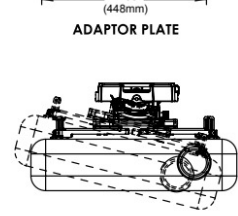
ADAPTOR PLATE



**SWIVEL (YAW) 360°** (when attached to extension column)  
+/- 15° (when flush mounted)



+/- 20° PITCH



+/- 10° ROLL

To verify mount compatibility with any display or projector model use MountFinder™ at [peerless-av.com](http://peerless-av.com).



# PRGS Projector Mount

For Projectors up to 50lb (22kg)

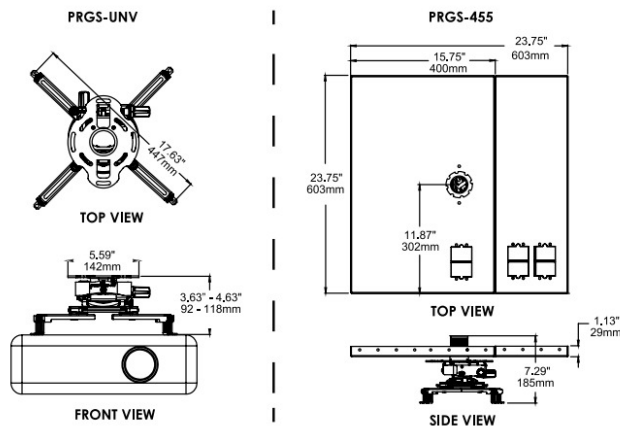
- Two adjustment knobs to control pitch and roll image alignment and accurately hold image position, virtually eliminating any sag or drift
- Spider® Universal Adaptor Plate extends up to 17.63" (448mm) to fit most projector models
- Low profile design allows projector to be flush with the ceiling
- 'U' pitch bracket for easy cable routing
- Quick release mechanism to easily service projector
- Pre-installed security screws provide optional pitch and roll lock to prevent tampering and adjustments
- PRGS-455 is kitted with CMJ455 Suspended Ceiling Plate, which allows a projector to be mounted into a 2' x 2' false ceiling system; includes tie wire for a 3' drop, turn buckles, and fasteners for mounting



Please visit [peerless-av.com/en-us/patents](http://peerless-av.com/en-us/patents) for patent information.

For expanded product information and technical data visit [peerless-av.com](http://peerless-av.com)

## TECHNICAL DRAWINGS



To verify mount compatibility with any display or projector model use MountFinder™ at [peerless-av.com](http://peerless-av.com).

630-375-5100 | 800-865-2112 | [info@peerless-av.com](mailto:info@peerless-av.com) | [peerless-av.com](http://peerless-av.com)

## PROJECTOR & WHITEBOARD MOUNTS



CEILING MOUNTS

### MODELS

#### Universal Models:

Includes theft resistant hardware for attaching projector to mount

<b>PRGS-UNV</b>	Black
<b>PRGS-UNV-S</b>	Silver
<b>PRGS-UNV-W</b>	White
<b>PRGS-455*</b>	White

\* Kitted with CMJ455 Suspended Ceiling Plate

### PROJECTOR ADAPTOR



#### Mounting Pattern

Universal Models: Up to 17.63" (448mm)

### SPECIFICATIONS



#### Pitch | Swivel (during installation) | Roll

+15°/-20° | 360° | ±5°



#### Max Load

50lb (22kg)

#### Product Dimensions (W x H x D)

<b>PRGS-UNV Models:</b>	8.50"-17.63" x 3.63"-4.63" x 8.50"-17.63" (216-448 x 92-118 x 216-448mm)
<b>PRGS-455:</b>	23.75" x 6.32"-7.32" x 23.75" (603 x 161-186 x 603mm)

#### Mounting Surfaces

Wood joist, concrete and other structures  
(Other structures require accessory)

#### Ship Weight

<b>PRGS-UNV Models:</b>	4.9lb (2kg)
<b>PRGS-455:</b>	19.2lb (8.74kg)

### CERTIFICATIONS



### ACCESSORIES



**ACC, CMJ Models:**  
Ceiling Plates ..... pg# 228, 230



**AEC and EXT Models:**  
Extension Columns ..... pg# 208, 229



**PWA-14(S)(W):**  
Projector Wall Arm ..... pg# 230



MODELS

Universal Models:

Includes theft resistant hardware for attaching projector to mount

<b>PJR125</b>	Black
<b>PJR125-POR</b>	Black

PROJECTOR ADAPTOR



Mounting Pattern

Universal Models: Up to 25.50" (648mm)

SPECIFICATIONS



Distance from Ceiling

<b>PJR125:</b>	4.38" (111mm)
<b>PJR125-POR:</b>	8.97" (228mm)



Pitch | Swivel (during installation) | Roll

<b>PJR125:</b>	+5°/-15°   360°   ±5°
<b>PJR125-POR (Landscape):</b>	±100°   360°   ±6°
<b>PJR125-POR (Portrait):</b>	±20°   360°   ±100°
<b>PJR125-POR (Floor Facing):</b>	+10°/-190°   360°   ±20°



Max Load

125lb (56.7kg)

Product Dimensions (W x D x H)

<b>PJR125:</b>	18.12" x 20.15" x 4.38" (460 x 512 x 89-111mm)
<b>PJR125-POR:</b>	18.12" x 20.15" x 8.97" (460 x 512 x 89-228mm)

Mounting Surfaces

Wood joist, concrete and other structures  
(Other structures require accessory)

Ship Weight

<b>PJR125:</b>	10.4lb (4.7kg)
<b>PJR125-POR:</b>	13.0lb (5.9kg)

CERTIFICATIONS



ACCESSORIES



**AEC, EXT & MOD Models:**  
Extension Columns.... pg# 201, 208, 229

# Heavy Duty Projector Mount

For Projectors up to 125lb (56.7kg)

1. Universal Adaptor plate extends up to 25.50" (648mm) to fit larger projector modes
2. Simple Hook-and-Hang™ design eases the installation of heavy projectors
3. Pre-assembled design reduces installation time
4. Includes six mounting legs for additional support
5. Compatible with Peerless-AV ADD%, AEC%, EXT%, MOD% extension columns
6. Allows cables to be routed through the extension column and through the mount
7. Uses security hardware and is compatible with safety cables



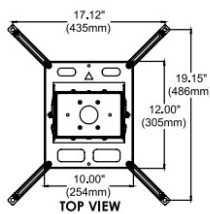
PJR125



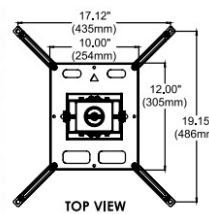
PJR125-POR

TECHNICAL DRAWINGS

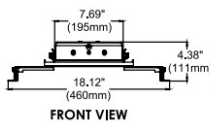
For expanded product information and technical data visit [peerless-av.com](http://peerless-av.com)



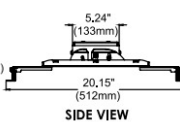
PJR125



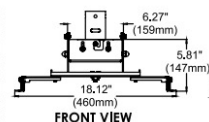
PJR125-POR



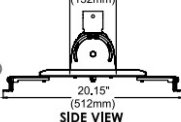
FRONT VIEW



SIDE VIEW



FRONT VIEW



SIDE VIEW

To verify mount compatibility with any display or projector model use MountFinder™ at [peerless-av.com](http://peerless-av.com).



630-375-5100 | 800-865-2112



[info@peerless-av.com](mailto:info@peerless-av.com)



[peerless-av.com](http://peerless-av.com)

# Heavy Duty Projector Mount

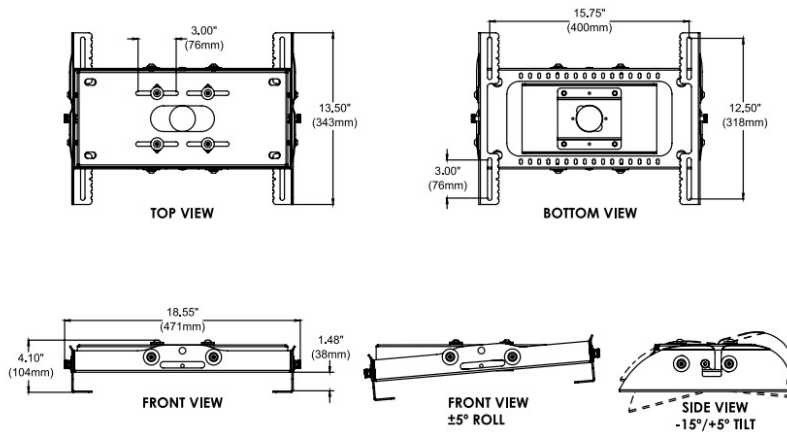
For Large Venue Projectors up to 250lb (113.4kg)

1. Pre-assembled design reduces installation time
2. Dedicated adaptor plates reduce sag and simplify adjustments
3. Cable management allows cables to be routed through projector mount and out of sight
4. A safety cable is included to provide a second level of assurance
5. Multiple locations are built-in to secure cabling from the column to the projector
6. Simple Hook-and-Hang™ design eases the installation of heavy projectors
7. Compatible with Peerless-AV extension columns ADD%, AEC%, EXT% and MOD%
8. Load tested with a 4X safety factor



For expanded product information and technical data visit [peerless-av.com](http://peerless-av.com)

## TECHNICAL DRAWINGS



To verify mount compatibility with any display or projector model use MountFinder™ at [peerless-av.com](http://peerless-av.com).

630-375-5100 | 800-865-2112 | [info@peerless-av.com](mailto:info@peerless-av.com) | [peerless-av.com](http://peerless-av.com)

## PROJECTOR & WHITEBOARD MOUNTS



CEILING MOUNTS

### MODELS

#### Dedicated Models:

Includes theft resistant hardware for attaching projector to mount

**PJR250** Black

### PROJECTOR ADAPTOR

#### Mounting Pattern

**Dedicated Models** Requires projector-specific adaptor to be purchased separately.

### SPECIFICATIONS

	Pitch   Swivel (during installation)   Roll
	+15/-5°   360°   ±5°
	<b>Max Load</b>
	250lb (113.4kg)
	<b>Product Dimensions (W x D)</b>
	18.55" x 4.10" x 13.50" (471 x 104 x 343mm)
	<b>Mounting Surfaces</b>
	Wood joist or concrete
	<b>Ship Weight</b>
	17.6lb (7.98kg)

### CERTIFICATIONS

**RoHS**

### ACCESSORIES



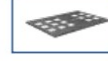
**AEC, EXT, ADD & MOD Models:**  
Extension Columns..pg# 201, 208, 229, 231



**PAP250-CHRISTIE1:**  
Dedicated Adaptor Plate for Roadster HD6K-M, HD10K-M, HD-14K, WU7K-M, WU12K-M, WU14K-M and HS D13WU-HS, D13HD-HS projector models



**PAP250-CHRISTIE2:**  
Dedicated Adaptor Plate for Crimson HD25, Crimson WU25 projector models



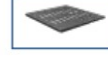
**PAP250-CHRISTIE3:**  
Dedicated Adaptor Plate for Bower2K20, 2K25, 2K30, 30, 4K20, 4K30 projector models



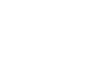
**PAP250-BARC01:**  
Dedicated Adaptor Plate for UDX Series projector models



**PAP250-EPSON1:**  
Dedicated Adaptor Plate for EPSON Pro L2500U & L3000U projector models



**PAP250-NEC1:**  
Dedicated Adaptor Plate for NP-PX1004UL-B, NP-PX1004UL-BK, NP-PX1004UL-W, NP-PX1004UL-WH, NP-PX803UL-B-T8, NP-PX803UL-BK, NP-PX803UL-W, NP-PX803UL-WH, PX750CM, NC1000C, NC1000C-IMS, NC1100L-A, NC1201L-A, NC1201L-IMS, NC1700L-IMS, NP-PH1201QL, NP-PH1202HL, NP-PH1202HL1 and PH1000U projector models



**PAP250-PANA1:**  
Dedicated Adaptor Plate for Panasonic projectors Panasonic projectors PT-EX16K, PT-RQ32K, PT-RZ31K & RS30K



**PAP250-PANA2:**  
Dedicated Adaptor Plate for Panasonic projectors PT-DZ21K2, PT-DS20K2, PT-DW17K2, PT-DZ16K2, PT-EX12K, PT-RQ13K, PT-RQ22K, PT-RQ35K, PT-RZ12K, PT-RZ21K & PT-RS11K



**PAP250-PANA3:**  
Dedicated Adaptor Plate for Panasonic projectors PT-DZ13K, DS12K, DW11K & DZ10K  
Contact Peerless-AV Customer Care for more information



PROJECTOR & WHITEBOARD MOUNTS



MODELS

Universal Models:

Includes theft resistant hardware for attaching projector to mount

<b>PSM-UNV</b>	Black
<b>PSM-UNV-W</b>	White

PROJECTOR ADAPTOR



Mounting Pattern

Universal tray pattern accommodates most projectors.

SPECIFICATIONS



Pitch | Swivel (during installation) | Roll

±15° | 360° | ±15°



Max Load

50lb (22kg)

Product Dimensions (W x H x D)

14.23" x 4.67" x 12.67"  
(362 x 119 x 322mm)

Mounting Surfaces

Wood joist, concrete and other structures  
(Other structures require accessory)

Ship Weight

10.4lb (4.7kg)

CERTIFICATIONS



ACCESSORIES



ACC, CMJ Models:

Ceiling Plates .....pg# 228, 230



AEC and EXT Models:

Extension Columns ..... pg# 208, 229



PWA-14(S)(W):

Projector Wall Arm ..... pg# 230



ACC810:

Threaded Rod Adaptor ..... pg# 229

# PSM Security Projector Mounts

For Projectors up to 50lb (22kg)

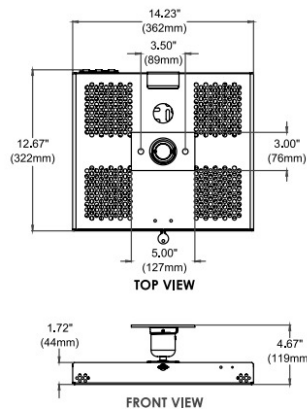
1. Key-lock security for theft deterrence
2. Two-piece tray design prevents access to security fasteners
3. Easy-access hinge design for quick projector removal, enabling lamp and filter maintenance
4. Top access hole for cable management
5. Mount and security fasteners included



Please visit [peerless-av.com/en-us/patents](http://peerless-av.com/en-us/patents) for patent information.

TECHNICAL DRAWINGS

For expanded product information and technical data visit [peerless-av.com](http://peerless-av.com)



To verify mount compatibility with any display or projector model use MountFinder™ at [peerless-av.com](http://peerless-av.com).

# Projector Enclosure

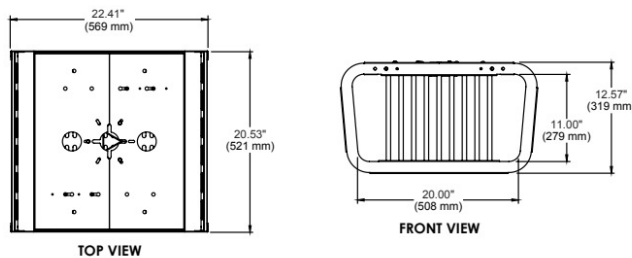
For use with Peerless-AV® Projector Mounts

1. Secures and protects virtually any projector and mount
2. Retro-fit capable without tampering with existing installations
3. Adjustable bars accommodate projector lens placement
4. Hook-and-Hang™ design allows hands-free operation during projector installation or maintenance



For expanded product information and technical data visit [peerless-av.com](http://peerless-av.com)

## TECHNICAL DRAWINGS



## PROJECTOR & WHITEBOARD MOUNTS



CEILING  
MOUNTS

### MODELS

#### Universal Models:

Includes theft resistant hardware for attaching projector to mount

<b>PE1120</b>	Black
<b>PE1120-W</b>	White

### SPECIFICATIONS

#### Product Dimensions (W x H x D)

22.41" x 12.57" x 20.53"  
(569 x 319 x 521mm)

#### Mounting Surfaces

Attaches to 1"-1.5" NPT pipe or can be attached directly to structural or suspended ceiling (Suspended ceiling requires accessory)



#### Ship Weight

43.5lb (19.8kg)

### CERTIFICATIONS

**RoHS**

### ACCESSORIES



**PRG & PRGS Models:**  
Projector Mounts ..... pg# 194-195



**AEC and EXT Models:**  
Extension Columns ..... pg# 208, 229



**ACC, CMJ Models:**  
Ceiling Plates ..... pg# 228, 230

To verify mount compatibility with any display or projector model use MountFinder™ at [peerless-av.com](http://peerless-av.com).

630-375-5100 | 800-865-2112 | [info@peerless-av.com](mailto:info@peerless-av.com) | [peerless-av.com](http://peerless-av.com)

PROJECTOR & WHITEBOARD MOUNTS



MODELS

Universal Models:

Includes theft resistant hardware for attaching display to mount

<b>MOD-PRGSKIT100</b>	39" (1m) Ceiling Kit	Black/Zinc Plated
<b>MOD-PRGSKIT100-B</b>	39" (1m) Ceiling Kit	Black
<b>MOD-PRGSKIT150</b>	59" (1.5m) Ceiling Kit	Black/Zinc Plated
<b>MOD-PRGSKIT150-B</b>	59" (1.5m) Ceiling Kit	Black
<b>MOD-PRGSKIT300</b>	118" (3m) Ceiling Kit	Black/Zinc Plated
<b>MOD-PRGSKIT300-B</b>	118" (3m) Ceiling Kit	Black

PROJECTOR ADAPTOR



Mounting Pattern

Universal Models: Up to 17.63" (448mm)

SPECIFICATIONS



Extension Length

<b>MOD-PRGSKIT100(-B)</b>	39.00" (1m)
<b>MOD-PRGSKIT150(-B)</b>	59.00" (1.5m)
<b>MOD-PRGSKIT300(-B)</b>	118.00" (3m)



Pitch | Swivel (during installation) | Roll

+15°/-20° | 360° | ±5°



Max Load

50lb (22kg)

Product Dimensions (W x H x D)

**MOD-PRGSKIT100(-B):**  
8.50"-17.63" x 44.50"-45.50" x 8.50"-17.63"  
(216-448 x 1130-1156 x 216-448mm)

**MOD-PRGSKIT150(-B):**  
8.50"-17.63" x 64.18"-65.18" x 8.50"-17.63"  
(216-448 x 1630-1655 x 216-448mm)

**MOD-PRGSKIT300(-B):**  
8.50"-17.63" x 123.24"-124.24" x 8.50"-17.63"  
(216-448 x 3130-3155 x 216-448mm)

Mounting Surfaces

Wood joist, concrete and other structures  
(Other structures require accessory)

Ship Weight

<b>MOD-PRGSKIT100(-B)</b>	12.2lb (5.5kg)
<b>MOD-PRGSKIT150(-B)</b>	14.8lb (6.7kg)
<b>MOD-PRGSKIT300(-B)</b>	23.2lb (10.5kg)

CERTIFICATIONS



ACCESSORIES

See individual components to 'build your own' solution.....pg# 201

# Modular Series Projector Mount Ceiling Kits

For Projectors up to 50lb (22kg)

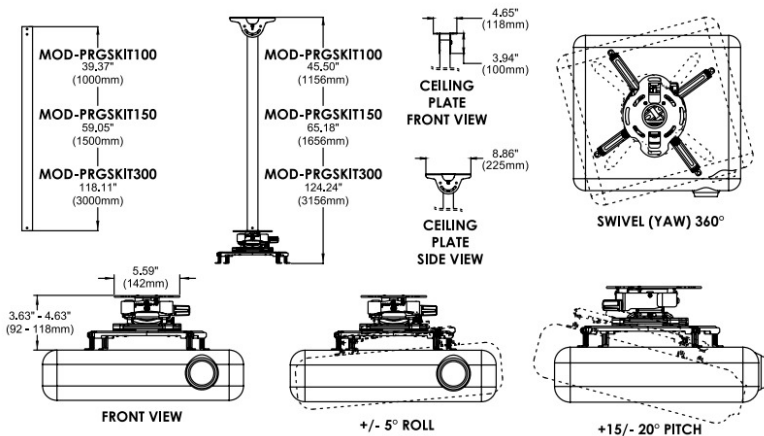
- Spider® Universal Adaptor Plate extends up to 17.63" (448mm) to fit most projector models
- Projector drop of up to 45.50" (1155mm), 65.00" (1650mm), or 124.00" (3150mm) or cut pole to desired length
- Cathedral ceiling plate can be angled up to ±60° for use with vaulted or sloping ceilings
- Two adjustment knobs control tilt and roll image alignment and accurately hold image position, virtually eliminating any sag or drift
- Projector Mount Kits include:
  - (1) MOD-CPC
  - (1) MOD-100(-B) / MOD-P150(-B) / MOD-P300(-B)
  - (1) MOD-ATA
  - (1) PRGS-UNV



Please visit [peerless-av.com/en-us/patents](http://peerless-av.com/en-us/patents) for patent information.

TECHNICAL DRAWINGS

For expanded product information and technical data visit [peerless-av.com](http://peerless-av.com)



To verify mount compatibility with any display or projector model use MountFinder™ at [peerless-av.com](http://peerless-av.com).



# Modular Series Individual Components to 'Build Your Own' Solution

For Projectors up to 50lb (22kg)

## PROJECTOR & WHITEBOARD MOUNTS



CEILING MOUNTS

### 1 CHOOSE THE MOUNTING PLATE TYPE

#### MOD-CPI

*I-Beam Ceiling Plate*

- Fully adjustable for I-beams 3.34" (85mm) to 9.84" (250mm)
- Tilt:  $\pm 60^\circ$

**Max Load:** 264lb (120kg)  
**Ship Weight:** 6.7lb (3kg)  
**Color:** Black



#### MOD-AUB

*U-Bolt Adaptor Accessory*

- Clamps around 1.5"-3.3" (40-85mm) dia. pipes, trusses, mini I-beams, and other construction materials
- Adapts to MOD-CPC and MOD-CPF

**Max Load:** 264lb (120kg)  
**Ship Weight:** 1.6lb (0.75kg)  
**Color:** Black



#### MOD-CPC(-W)

*Cathedral Ceiling Plate*

- Cathedral ceiling plate can be angled up to  $\pm 60^\circ$  for use with vaulted or sloping ceilings;
- Mounts to concrete and wood joist ceilings

**Max Load:** 264lb (120kg)  
**Ship Weight:** 2.5lb (1.1kg)  
**Color:** Black or white



#### MOD-CPF(-W)

*Square Ceiling/Floor Plate, Flat*

- Mounts to concrete and wood joist ceilings. Heavy duty.

**Max Load:** 264lb (120kg)  
**Ship Weight:** 3.7lb (1.7kg)  
**Color:** Black



#### MOD-ACF(-W)

*Cosmetic Cover*

- Cosmetic cover for modular series square ceiling/floor plate (MOD-CPF)

**Ship Weight:** 1.85lb (0.83kg)  
**Color:** Black



### 2 SELECT THE POLE LENGTH & ACCESSORIES

#### MOD-P100/150/200/300

*Extension Poles*

- Cut-to-length 2" (50mm) dia. pole
- MOD-P100(-B): 39" (1m) length  
 MOD-P150(-B): 59" (1.5m) length  
 MOD-P200(-B): 78" (2m) length  
 MOD-P300(-B): 118" (3m) length

**Ship Weight:**  
 MOD-P100(-B): 5lb (2.2kg)  
 MOD-P150(-B): 7.4lb (3.3kg)  
 MOD-P200(-B): 10lb (4.5kg)  
 MOD-P300(-B): 14.8lb (6.7kg)  
**Color:** Zinc plated or black



#### MOD-ATD-W

*Trim Disc*

- Covers hole around the 2" (50mm) pole in a suspended ceiling, creating a smooth transition

**Ship Weight:** 0.11lb (0.04kg)  
**Color:** White



#### MOD-APC

*Pole Coupler*

- Connects two 2" (50mm) poles

**Ship Weight:** 4lb (1.8kg)  
**Color:** Black



#### MOD-ADF

*Pole Drilling Fixture*

- Allows marking and positioning of new installation holes to be drilled into newly cut 2" (50mm) poles

**Ship Weight:** 1.2lb (0.54kg)  
**Color:** Black



### 3 PROJECTOR ADAPTOR

#### MOD-ATA(-W)

*1.5" NPS Threaded Projector Mount Adaptor*

- Adaptor to connect the modular extension pole to projector mounts

**Max Load:** 66lb (29.9kg)  
**Ship Weight:** 0.5lb (0.23kg)  
**Color:** Black



### 4 REQUIRED PROJECTOR MOUNT

#### PRGS-UNV(-W)

*PRGS Projector Mount*

- Spider Universal Adaptor Plate extends up to 17.63" (448 mm) to fit most projector models
- Two adjustment knobs control tilt and roll image alignment and accurately hold image position, virtually eliminating any sag or drift

**Max Load:** 50lb (22kg)  
**Ship Weight:** 4.9lb (2kg)  
**Color:** Black



To verify mount compatibility with any display or projector model use MountFinder™ at [peerless-av.com](http://peerless-av.com).

630-375-5100 | 800-865-2112

[info@peerless-av.com](mailto:info@peerless-av.com)

[peerless-av.com](http://peerless-av.com)



MODELS

Universal Models:

Includes theft resistant hardware for attaching projector to mount

With 33.00" (838mm) wall extension:

- PSTA-028** Black
- PSTA-028-W** White

With 61.55" (1563mm) wall extension:

- PSTA-2955** Black
- PSTA-2955-W** White

PROJECTOR ADAPTOR



Mounting Pattern

Universal Models: Up to 17.63" (448mm)

SPECIFICATIONS



Distance from Wall

- PSTA-028(-W):** 6.00"-33.00" (152-838mm)
- PSTA-2955(-W):** 37.00"-61.55" (940-1563mm)



Pitch | Swivel (during installation) | Roll

+15°/-20° | ±15° | ±5°



Max Load

- PSTA-028(-W):** 50lb (22kg)
- PSTA-2955(-W):** 35lb (15kg)

Product Dimensions (W x H x D)

- PSTA-028(-W):** 5.78" x 14.91" x 36.20"  
(147 x 379 x 919mm)
- PSTA-2955(-W):** 5.78" x 15.16" x 40.00"-65.00"  
(147 x 385 x 1026-1651mm)

Mounting Surfaces

Wood, concrete and other structures  
(Other structures require accessory)

Ship Weight

- PSTA-028(-W):** 12.24lb (5.5kg)
- PSTA-2955(-W):** 21.58lb (9.8kg)

CERTIFICATIONS



ACCESSORIES



**WBK100**  
Double Stud Wall Plate ..... pg# 233



**ACC215/415/615:**  
Metal Stud Fastener Kit ..... pg# 234



**IBA models:**  
In-wall boxes ..... pg# 227

# Short Throw Projector Mount

For Projectors up to 50lb (22kg)

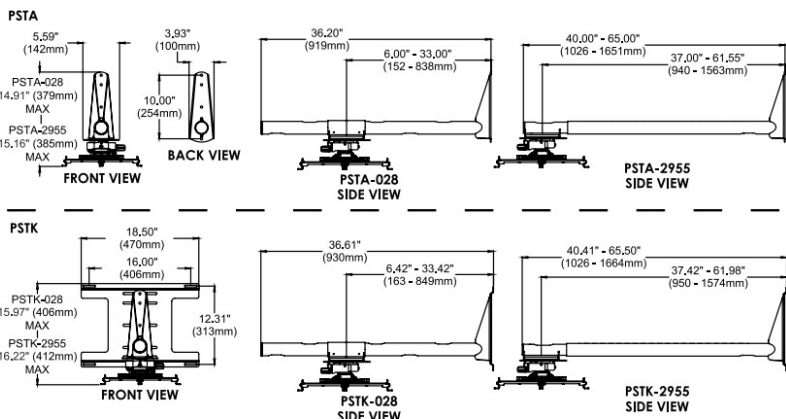
1. PSTA-028 sliding carriage design allows projector mount to glide into place at any location on the short throw arm
2. PSTA-2955 telescoping arm design provides a large range of mounting options with convenient lockdown slots at every point
3. Access slots allow for all internal cable management
4. Pre-installed security screws lock down short throw arm and prevent tampering
5. Includes PRGS-UNV projector mount with precision gear alignment and adjustment knobs to control pitch and roll alignment



Please visit [peerless-av.com/en-us/patents](http://peerless-av.com/en-us/patents) for patent information.

TECHNICAL DRAWINGS

For expanded product information and technical data visit [peerless-av.com](http://peerless-av.com)

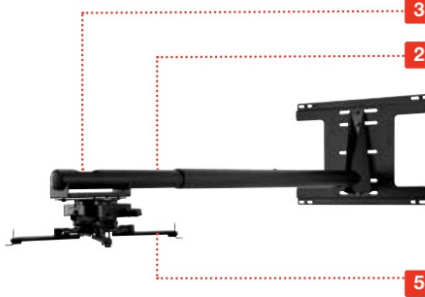


To verify mount compatibility with any display or projector model use MountFinder™ at [peerless-av.com](http://peerless-av.com).

# Short Throw Projector Mount

For Projectors up to 50lb (22kg)

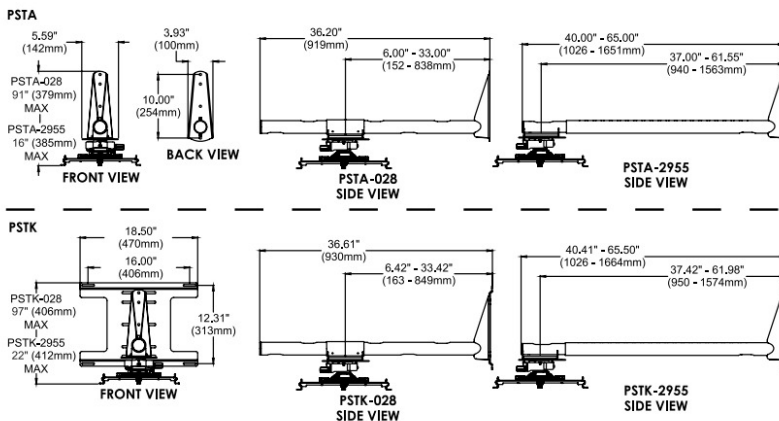
1. PSTK-028 sliding carriage design allows projector mount to glide into place at any location on the short throw arm
2. PSTK-2955 telescoping arm design provides a large range of mounting options with convenient lockdown slots at every point
3. Access slots allow for all internal cable management
4. Pre-installed security screws lock down short throw arm and prevent tampering
5. Includes PRGS-UNV projector mount with precision gear alignment and adjustment knobs to control pitch and roll alignment



Please visit [peerless-av.com/en-us/patents](http://peerless-av.com/en-us/patents) for patent information.

For expanded product information and technical data visit [peerless-av.com](http://peerless-av.com)

## TECHNICAL DRAWINGS



To verify mount compatibility with any display or projector model use [MountFinder™](#) at [peerless-av.com](http://peerless-av.com).

630-375-5100 | 800-865-2112 | [info@peerless-av.com](mailto:info@peerless-av.com) | [peerless-av.com](http://peerless-av.com)

## PROJECTOR & WHITEBOARD MOUNTS



### MODELS

#### Universal Models:

Includes theft resistant hardware for attaching projector to mount

With 33.42" (849mm) wall extension:

**PSTK-028** Black with wall plate  
**PSTK-028-W** White with wall plate

With 61.98" (1574mm) wall extension:

**PSTK-2955** Black with wall plate  
**PSTK-2955-W** White with wall plate

### PROJECTOR ADAPTOR



#### Mounting Pattern

Universal Models: Up to 17.63" (448mm)

### SPECIFICATIONS



#### Distance from Wall

PSTK-028(-W): 6.42"-33.42" (163-849mm)  
 PSTK-2955(-W): 37.42"-61.98" (950-1574mm)



#### Pitch | Swivel (during installation) | Roll

+15°/-20° | ±15° | ±5°



#### Max Load

PSTK-028(-W): 50lb (22kg)  
 PSTK-2955(-W): 35lb (15kg)

#### Product Dimensions (W x H x D)

PSTK-028(-W): 18.50" x 15.97" x 36.61"  
 (470 x 406 x 930mm)  
 PSTK-2955(-W): 18.50" x 16.22" x 40.41"-65.50"  
 (470 x 412 x 1026-1664mm)

#### Mounting Surfaces

Wood, concrete and other structures  
 (Other structures require accessory)

#### Ship Weight

PSTK-028(-W): 16.26lb (7.3kg)  
 PSTK-2955(-W): 25.1lb (11.4kg)

### CERTIFICATIONS



### ACCESSORIES



**ACC215/415/615:**  
 Metal Stud Fastener Kit ..... pg# 234



**IBA models:**  
 In-wall boxes ..... pg# 227



PROJECTOR & WHITEBOARD MOUNTS



MODELS

Universal Models:

Includes standard hardware (hex or Phillips) for attaching whiteboard to mount



**IWB600-UNIV** Silver

MOUNTING PATTERNS

**IWB600-UNIV:** Infinite x 48.00"-76.00"  
(1219-1930mm)

- Dedicated holes for:
- 60" SMART Board™ SB560
  - 72" SMART Board™ SB580
  - 64" SMART Board™ SB660
  - 77" SMART Board™ SB680
  - 77" SMART Board™ SB880
  - 77" SMART Board™ SBX880
  - 77" Marsh Board PR4050000
  - 63" Hitachi StarBoard® DUO
  - 77" Hitachi StarBoard® DUO
  - 77" Hitachi StarBoard® TRIO
  - 88" Hitachi StarBoard® DUO
  - 77" Interwrite DualBoard™ 1277
  - 64" Promethean ActivBoard™ 164
  - 78" Promethean ActivBoard™ 178
  - 78" Promethean ActivBoard™ 378 PRO
  - 87" Promethean ActivBoard™ 387 PRO
  - 95" Promethean ActivBoard™ 395 PRO

SPECIFICATIONS

	<b>Distance from Wall</b>	5.82"-7.35" (148-187mm)
	<b>Max Load</b>	70lb (32kg)
	<b>Product Dimensions (H x D)</b>	
	<b>Each Rail:</b>	48.00"-76.00" x 5.82"-7.35" (1219-1930 x 148-187mm)
	<b>Mounting Surfaces</b>	Wood, concrete and other structures (Other structures require accessory)
	<b>Ship Weight</b>	18.5lb (8.4kg)

CERTIFICATIONS

**RoHS**

ACCESSORIES



**ACC956:**  
Adhesive Bumpers  
Contact Peerless-AV® Customer Care for more information

# Universal Whiteboard Mount

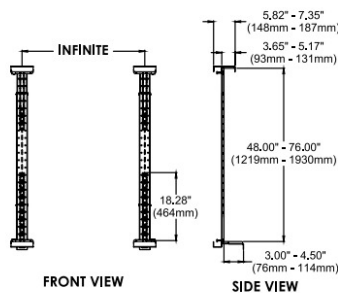
For attaching over existing marker boards and chalkboards

1. Hook-on design simplifies the installation
2. Telescoping vertical rails allow the mount to accommodate existing boards
3. Mounts over existing marker board/chalkboard with depth adjustability
4. Four individual clamps enable virtually any board up to 1.75" (45mm) thick to be easily mounted
5. Fitted with dedicated mounting hole patterns for industry leading whiteboards for an increase in attachment versatility
6. Some whiteboards may require bumpers, ACC956, to be added between the mount and the board to make the board more rigid



TECHNICAL DRAWINGS

For expanded product information and technical data visit [peerless-av.com](http://peerless-av.com)

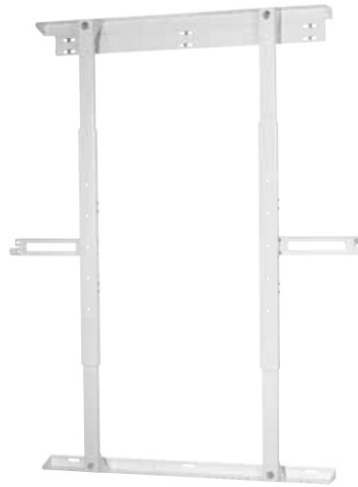


To verify mount compatibility with any display or projector model use MountFinder™ at [peerless-av.com](http://peerless-av.com).

# Universal Whiteboard Mount

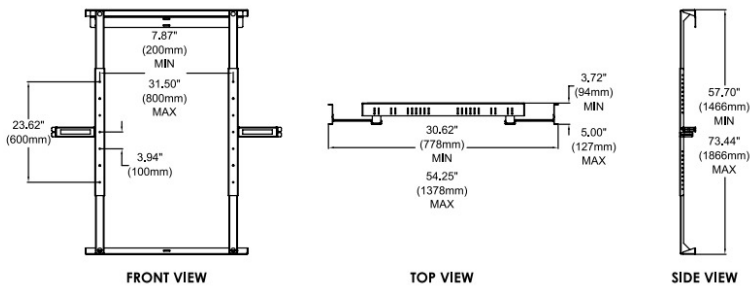
For attaching over existing marker boards and chalkboards

1. Hook-on design simplifies the installation
2. Telescoping vertical rails allow the mount to accommodate existing boards
3. Mounts over existing marker board/chalkboard with depth adjustability
4. Fits interactive displays with VESA® mounting patterns up to 800 x 600mm and weight loads up to 250lb (113.6kg)
5. Stability brackets prevent the display from bouncing during touch interactive use



For expanded product information and technical data visit [peerless-av.com](http://peerless-av.com)

## TECHNICAL DRAWINGS



To verify mount compatibility with any display or projector model use [MountFinder™](http://MountFinder.com) at [peerless-av.com](http://peerless-av.com).

630-375-5100 | 800-865-2112 | [info@peerless-av.com](mailto:info@peerless-av.com) | [peerless-av.com](http://peerless-av.com)

## PROJECTOR & WHITEBOARD MOUNTS



### MODELS

#### Universal Models:

Includes standard hardware (hex or Phillips) for attaching whiteboard to mount

**IWB680-W** White

### MOUNTING PATTERNS

VESA® up to 800 x 600mm

### SPECIFICATIONS

	<b>Distance from Wall</b>	3.72"-5.00" (94-127mm)
	<b>Max Load</b>	250lb (113.6kg)
	<b>Product Dimensions (H x D)</b>	30.52"-54.25" x 57.70"-73.44" x 3.72"-5.00" (778-1378 x 1466-1866 x 94-127mm)
	<b>Mounting Surfaces</b>	Wood, concrete and other structures (Other structures require accessory)
	<b>Ship Weight</b>	36.5lb (16.59kg)

### CERTIFICATIONS

**RoHS**

### ACCESSORIES



#### ACC956:

Adhesive Bumpers  
Contact Peerless-AV® Customer Care for more information

WHITEBOARD MOUNTS

## PROJECTOR & WHITEBOARD MOUNTS



### MODELS

#### Dedicated Models:

Includes standard hardware (hex or Phillips) for attaching whiteboard to mount

**IWB600-WB** Silver

### WHITEBOARD ADAPTOR

#### Dedicated Models

Compatible with: SMART Board™ SB580, 600, 600i, 685ix, 800, 800i and 880

### SPECIFICATIONS

	<b>Distance from Wall</b>
	4.59"-5.14" (117-131mm)
	<b>Max Load</b>
	70lb (32kg)
	<b>Product Dimensions (W x H x D)</b>
	68.00" x 58.47" x 5.14" (1727 x 1485 x 131mm)
	<b>Mounting Surfaces</b>
	Wood, concrete and other structures (Other structures require accessory)
	<b>Ship Weight</b>
	23lb (10.4kg)

### CERTIFICATIONS

**RoHS**

### ACCESSORIES



#### ACC956:

Adhesive Bumpers

Contact Peerless-AV® Customer Care for more information

# Dedicated Whiteboard Mount

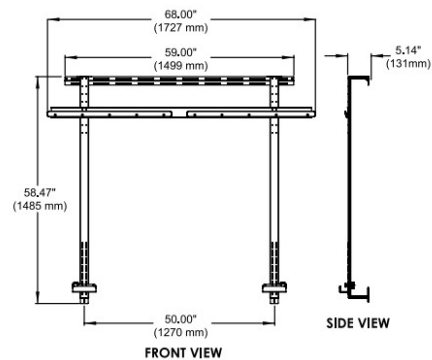
For attaching over existing marker boards and chalkboards

1. Mounts over the existing marker board/chalkboard with depth adjustable wall brackets
2. Vertical and horizontal whiteboard adjustment
3. Hook-on design allows for single person installation
4. Some boards may require bumpers, ACC956, to be added between the mount and the board in order to make the board more rigid



### TECHNICAL DRAWINGS

For expanded product information and technical data visit [peerless-av.com](http://peerless-av.com)



To verify mount compatibility with any display or projector model use MountFinder™ at [peerless-av.com](http://peerless-av.com).



630-375-5100 | 800-865-2112



info@peerless-av.com



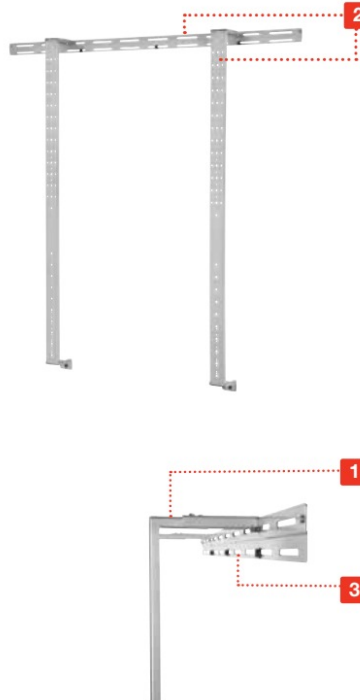
peerless-av.com



# Dedicated Whiteboard Mount

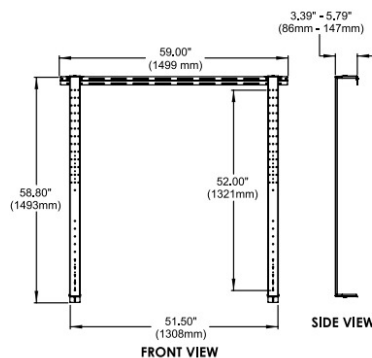
For attaching over existing marker boards and chalkboards

1. Mounts over the existing marker board/ chalkboard with depth adjustable wall brackets
2. Vertical and horizontal whiteboard adjustment
3. Hook-on design allows for single person installation
4. Some boards may require bumpers, ACC956, to be added between the mount and the board in order to make the board more rigid



For expanded product information and technical data visit [peerless-av.com](http://peerless-av.com)

## TECHNICAL DRAWINGS



To verify mount compatibility with any display or projector model use MountFinder™ at [peerless-av.com](http://peerless-av.com).



630-375-5100

| 800-865-2112



info@peerless-av.com



peerless-av.com

## PROJECTOR & WHITEBOARD MOUNTS



### MODELS

#### Dedicated Models:

Includes standard hardware (hex or Phillips) for attaching whiteboard to mount

**IWB600-2SB** Silver

### WHITEBOARD ADAPTOR

#### Dedicated Models

#### Compatible with:

64" SMART Board™ SB660  
 77" SMART Board™ SB680  
 77" Marsh Board PR4050000  
 63" Hitachi StarBoard® DUO  
 77" Hitachi StarBoard® DUO  
 77" Hitachi StarBoard® TRIO  
 88" Hitachi StarBoard® DUO  
 77" Interwrite DualBoard™ 1277  
 64" Promethean ActivBoard™ 164  
 78" Promethean ActivBoard™ 178  
 78" Promethean ActivBoard™ 378 PRO  
 87" Promethean ActivBoard™ 387 PRO  
 95" Promethean ActivBoard™ 395 PRO

### SPECIFICATIONS

	<b>Distance from Wall</b>
	3.39"-5.79" (86-147mm)
	<b>Max Load</b>
	70lb (32kg)
	<b>Product Dimensions (W x H x D)</b>
	59.00" x 58.80" x 3.39"-5.79" (1499 x 1493 x 86-147mm)
	<b>Mounting Surfaces</b>
	Wood, concrete and other structures (Other structures require accessory)
	<b>Ship Weight</b>
	19.5lb (8.8kg)

### CERTIFICATIONS

**RoHS**  
2002/95/EC

### ACCESSORIES



#### ACC956:

Adhesive Bumpers

Contact Peerless-AV® Customer Care for more information



MODELS

Includes standard hardware (hex or Phillips) for attaching projector to mount

Adjustable Models:

**AEC models** Black, silver or white

Fixed Models:

**EXT models** Black, silver or white

SPECIFICATIONS

Distance from Ceiling	See chart
Max Load	500lb (227kg)
Ship Weight	See chart

CERTIFICATIONS



ACCESSORIES



**ACC, CMJ Models:**  
Ceiling Plates .....pg# 228, 230



**ACC640(-B)(-W):**  
Escutcheon Ring .....pg# 232



**ACC109:**  
Extension Column  
Connector .....pg# 231

# Adjustable and Fixed Extension Columns

For up to 500lb (227kg)

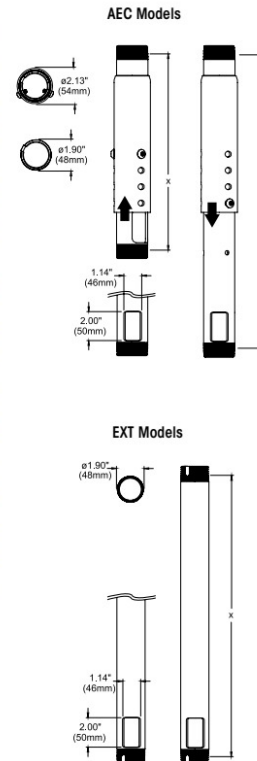
1. 1.5" x 11.5 NPT (38mm) pipe, threaded on both ends
2. Made of lightweight aluminum for easy installation and lower-cost shipping
3. Height adjustable at 1" (25mm) increments for AEC models
4. Locking slot design enables easy, flexible height adjustment
5. Extension column lengths measure 1" (25mm) longer than stated to provide finished drop lengths for various mounts
6. Notch design at both ends for a set screw to lock the column and mount in place
7. Cable management access provided



TECHNICAL DRAWINGS

For expanded product information and technical data visit [peerless-av.com](http://peerless-av.com)

Model	Drop Length (X)	Ship Weight
<b>Adjustable Models:</b>		
AEC006009(-S)(-W)	6"-9" (0.15-0.23m)	1.3lb (0.6kg)
AEC009012(-S)(-W)	9"-12" (0.22-0.30m)	1.6lb (0.7kg)
AEC012018(-S)(-W)	12"-18" (0.30-0.46m)	2.2lb (1kg)
AEC018024(-S)(-W)	18"-24" (0.46-0.61m)	2.9lb (1.3kg)
AEC0203(-S)(-W)	2'-3" (0.61-0.91m)	4.1lb (1.9kg)
AEC0305(-S)(-W)	3'-5" (0.91-1.52m)	6.7lb (3kg)
AEC0406(-S)(-W)	4'-6" (1.22-1.83m)	9.1lb (4.1kg)
AEC0507(-S)(-W)	5'-7" (1.52-2.13m)	10.4lb (4.7kg)
AEC0608(-S)(-W)	6'-8" (1.83-2.44m)	11.4lb (5.2kg)
AEC0810(-S)(-W)	8'-10" (2.44-3.05m)	13.9lb (6.3kg)
AEC1012(-S)(-W)	10'-12" (3.05-3.66m)	16lb (7.3kg)
<b>Fixed Models:</b>		
EXT002	Flush	1lb (0.4kg)
EXT006(S)(-W)	6" (15cm)	1lb (0.4kg)
EXT018(S)(-W)	18" (46cm)	1lb (0.4kg)
EXT101(S)(-W)	1' (0.3m)	2lb (0.9kg)
EXT102(S)(-W)	2' (0.6m)	2lb (0.9kg)
EXT103(S)(-W)	3' (0.9m)	3lb (1.2kg)
EXT104(S)(-W)	4' (1.2m)	4lb (1.8kg)
EXT105(S)(-W)	5' (1.5m)	6lb (2.7kg)
EXT106(S)(-W)	6' (1.8m)	7lb (3.2kg)
EXT107(-W)	7' (2.1m)	7lb (3.2kg)
EXT108(S)(-W)	8' (2.4m)	8lb (3.6kg)
EXT109(S)(-W)	9' (2.7m)	9lb (4.1kg)
EXT110(-W)	10' (3.1m)	11lb (5kg)



EXT models (1.9" OD)  
AEC models adjuster tube (2.3" OD) extension pipe (1.9" OD)

To verify mount compatibility with any display or projector model use MountFinder™ at [peerless-av.com](http://peerless-av.com).



AV

STORAGE & SUPPORTS

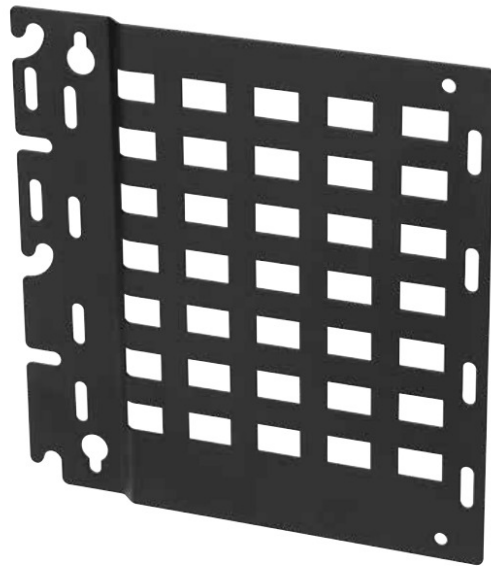
---





# Universal AV Component Mount

For Streaming Media Players and other AV Components



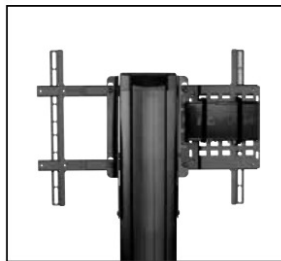
Ideal for  
Apple TV® and  
MediaPlayers  
for Android™

The ACC-UCM is a flexible mounting solution for small AV components that need to be hidden.

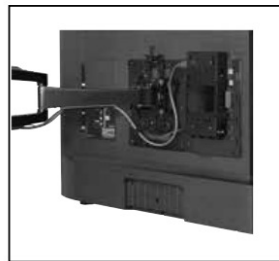
The Universal AV Component Mount's design allows you to attach it directly to the back of a display if a stand is used, to a wall mount, or even directly to drywall. Multiple ACC-UCMs can be stacked (each is 200mm) to accommodate 200, 400, 600 or 800mm VESA® patterns.



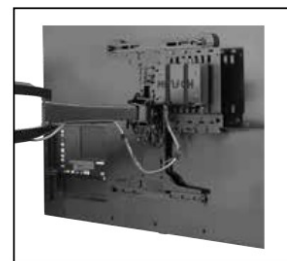
Attaches  
Directly to Wall



Attaches to  
Carts and Stands



Attaches to Small  
Full-Motion Mounts



Attaches to Large  
Full-Motion Mounts

For more information on the Universal AV Component Mount, see page 218.



**AV RACKS**

**AV18/AV27/AV42**  
Audio Video Equipment Racks  
(18RU/27RU/42RU) ..... pg# 210



**AV COMPONENT SHELVES/STORAGE**

**ESHV10/20/30 Models**  
Single & Dual AV Wall Shelves  
for AV Components ..... pg# 211

**PS200**  
Adjustable Shelf  
for AV Components ..... pg# 212

**VPM/DS Models**  
Adjustable AV Component Shelves  
for most AV Components ..... pg# 213

**ACC931/932/951 Models**  
AV Component Shelf Accessory Brackets  
for Articulating, Pivot and Ceiling Mounts .... pg# 214

**ACC309**  
Video Conference Shelf ..... pg# 215

**DSX200**  
Media Device Shelf ..... pg# 216

**ACC-WMVCS**  
SmartMount™ Video Conferencing  
Shelf Accessory Compatible with  
Stated Peerless-AV® Mounts ..... pg# 217

**ACC-UCM**  
Universal AV Component Mount  
For Streaming Media Players  
and other AV Components ..... pg# 218

**GC-UNV**  
Universal Game Console Security Mount  
for Displays up to 56". Holds PS3™,  
Xbox 360™ and Wii™ internally ..... pg# 219

**GC Models**  
Game Console Security Covers  
Holds PS3™, Xbox 360S™  
and Wii™ internally ..... pg# 220



**SPEAKER MOUNTS**

**PSP2/PSP5 Models**  
Universal Speaker Mount  
for Speakers Weighing up to 8lb (3kg) ..... pg# 221

**SPK811 Models**  
Universal Speaker Mount  
for Speakers Weighing up to 20lb (9kg) ..... pg# 222

**SPK26**  
Universal Speaker Mount  
for Speakers Weighing up to 26lb (12kg) ... pg# 223



**CAMERA MOUNTS**

**CMR410**  
Camera Mounts  
for Small to Medium Security Cameras ..... pg# 224





MODELS

Universal Models:

Includes standard hardware (hex or Phillips) for attaching component to mount

<b>AV18</b>	18 RU Rack	Black
<b>AV27</b>	27 RU Rack	Black
<b>AV42</b>	42 RU Rack	Black

SPECIFICATIONS



Max Load

<b>AV18:</b>	500lb (226.8kg) 50lb (22.7kg) per 2U shelf
<b>AV27:</b>	750lb (340.2kg) 50lb (22.7kg) per 2U shelf
<b>AV42:</b>	1100lb (500kg) 50lb (22.7kg) per 2U shelf & 100lb (45.4kg) per 5U shelf

Product Dimensions (W x H x D)

<b>AV18:</b>	23.62" x 38.90" x 23.62" (600 x 988 x 600mm)
<b>AV27:</b>	23.62" x 54.50" x 23.62" (600 x 1384 x 600mm)
<b>AV42:</b>	23.62" x 80.90" x 23.62" (600 x 2055 x 600mm)

Ship Weight

<b>AV18:</b>	153lb (69.5kg)
<b>AV27:</b>	191lb (86.8kg)
<b>AV42:</b>	329lb (149kg)

# Audio Video Equipment Racks

## 18RU/27RU/42RU

1. Caster base with adjustable feet level and stabilize rack without interfering with casters
2. Lockable tempered glass left or right-hinged front door
3. Top and bottom ventilation with pre-installed top cooling fans
4. Removable side panel
5. Standard 19" rack enclosure works with all standard 19" rack accessories
6. Heavy-gauge welded steel construction
7. Top and bottom cable routing knockouts
8. Front and back can be swapped and are on hinges
9. Side panels are lockable (locks not included)
10. Accepts front or rear rack mounted components
11. Includes complete Grade 5 hardware kit
12. Ships assembled
13. EIA 310-D compliant



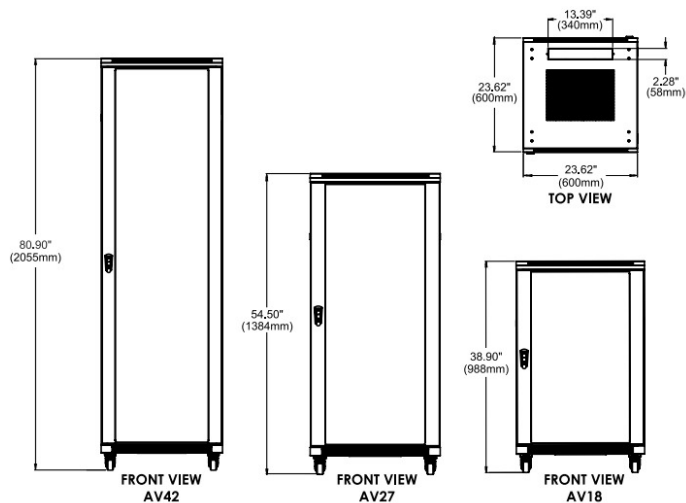
AV42



AV18

TECHNICAL DRAWINGS

For expanded product information and technical data visit [peerless-av.com](http://peerless-av.com)



To verify mount compatibility with any display or projector model use MountFinder™ at [peerless-av.com](http://peerless-av.com).



# Single & Dual AV Wall Shelves

## For AV Components

1. Cable management system helps keep cables concealed and organized
2. Supports up to 30lb (13.6kg) per shelf
3. Bubble level makes for a quick and easy installation
4. Strong, tempered glass shelves on ESHV20 and ESHV30; durable aluminum shelf on ESHV10
5. Shelves can be vertically adjusted to accommodate AV components of any height



ESHV30



ESHV10



ESHV20

## AV STORAGE & SUPPORTS



### MODELS

#### Universal Models:

Includes standard hardware (hex or Phillips) for attaching component to mount

<b>ESHV10</b>	Black
<b>ESHV20</b>	Black with glass shelf
<b>ESHV30</b>	Black with two glass shelves

### SPECIFICATIONS



#### Max Load

30lb (13.6kg) per shelf

#### Product Dimensions (W x H x D)

<b>ESHV10:</b>	10.67" x 13.41" x 10.13" (271 x 341 x 257mm)
<b>ESHV20:</b>	15.60" x 13.41" x 13.76" (396 x 341 x 350mm)
<b>ESHV30:</b>	15.60" x 25.44" x 13.76" (396 x 646 x 350mm)

#### Mounting Surfaces

Wood stud, concrete, cinder/breeze block

#### Ship Weight

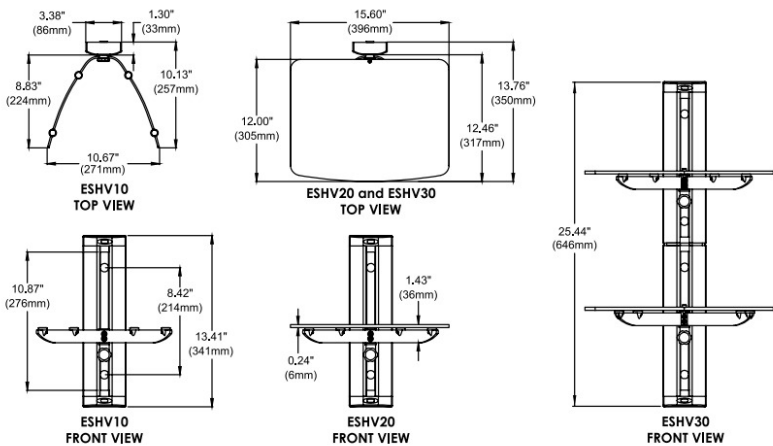
<b>ESHV10:</b>	1.75lb (0.79kg)
<b>ESHV20:</b>	5.65lb (2.56kg)
<b>ESHV30:</b>	10.5lb (4.76kg)

### CERTIFICATIONS

**RoHS**  
INTEGRATED

For expanded product information and technical data visit [peerless-av.com](http://peerless-av.com)

### TECHNICAL DRAWINGS



To verify mount compatibility with any display or projector model use MountFinder™ at [peerless-av.com](http://peerless-av.com).

630-375-5100 | 800-865-2112 | [info@peerless-av.com](mailto:info@peerless-av.com) | [peerless-av.com](http://peerless-av.com)



MODELS

Universal Models:

Includes standard hardware (hex or Phillips) for attaching component to mount

**PS200** Black

SPECIFICATIONS

	<b>Max Load</b>	100lb (45kg)
	<b>Product Dimensions (W x H x D)</b>	20.24" x 4.25" x 17.22"- 25.36" (514 x 108 x 438-644mm)
<b>Mounting Surfaces</b>		
Wood stud, concrete, cinder/breeze block and metal stud (Metal stud accessory required)		
<b>Ship Weight</b>		
10.7lb (4.8kg)		

CERTIFICATIONS



ACCESSORIES



**ACC215:**  
2-pack Metal Stud Fastener Kit .....pg# 234



**IBA4-W:**  
Easy Mount Recessed Low Voltage Cable Plate ..... pg# 227

# Adjustable Shelf

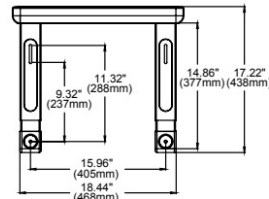
For AV Components

1. Versatile design ideal for stacking multiple AV components
2. Adjustable width up to 18.44" (468mm) and depth range of 14.86" to 23" (377-584mm)
3. Snap-on cover hides wall plate and mounting hardware
4. Adjustment knobs allow for easy leveling of components
5. Embossed arms with screw holes secure components to shelf
6. 100lb (45kg) load capacity allows stacking of multiple components, ideal for AV closets

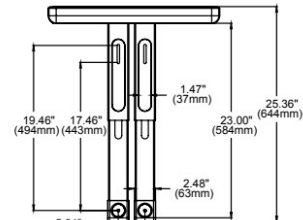


TECHNICAL DRAWINGS

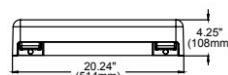
For expanded product information and technical data visit [peerless-av.com](http://peerless-av.com)



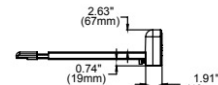
TOP VIEW  
MAXIMUM EXTENDED WIDTH  
MINIMUM RETRACTED LENGTH



TOP VIEW  
MINIMUM RETRACTED WIDTH  
MAXIMUM EXTENDED LENGTH



FRONT VIEW



SIDE VIEW

To verify mount compatibility with any display or projector model use MountFinder™ at [peerless-av.com](http://peerless-av.com).

# Adjustable AV Component Shelves

## For Most AV Components

1. Adjustable height and width
2. Units can be stacked without additional accessories
3. Accommodates most front loading AV components
4. Security versions available



MODEL	Color	Security	Width Range	Height Range	Ship Weight
<b>AV Component Shelf with Mounting Hardware for Jumbo 2000® Series</b>					
VPM25-J	Black	No	13.25"-17.25" (337-438mm)	1.50"-2.75" (38-70mm)	4.7lb (2.1kg)
VPM35-J	Black	No	10.25"-14.25" (260-362mm)	2.69"-4.50" (68-114mm)	6lb (2.7kg)
VPM40-J	Black	No	13.25"-17.25" (337-438mm)	2.69"-4.50" (68-114mm)	6lb (2.7kg)
VPM45-J	Black	No	13.25"-17.25" (337-438mm)	4.25"-5.75" (108-146mm)	7lb (3.2kg)
<b>AV Component Shelf with Mounting Hardware for LWB354/530(T) models</b>					
VPM25-W	Black	No	13.25"-17.25" (337-438mm)	1.50"-2.75" (38-70mm)	4.4lb (2kg)
VPM40-W	Black	No	13.25"-17.25" (337-438mm)	2.69"-4.50" (68-114mm)	6lb (2.7kg)
<b>AV Component Shelf with Mounting Hardware for LWB373(T)</b>					
VPM35-S	Black	No	10.25"-14.25" (260-362mm)	2.69"-4.50" (68-114mm)	5.6lb (2.5kg)
VPM40-S	Black	No	13.25"-17.25" (337-438mm)	2.69"-4.50" (68-114mm)	5.6lb (2.5kg)
VPM45-S	Black	No	13.25"-17.25" (337-438mm)	4.25"-5.75" (108-146mm)	6.6lb (3kg)
<b>AV Component Shelf for Flat Panel Display Systems (ACC931/932/957)</b>					
DS25	Black	No	13.25"-17.25" (337-438mm)	1.50"-2.75" (38-70mm)	4lb (1.8kg)
DS35	Black	No	10.25"-14.25" (260-362mm)	2.69"-4.50" (68-114mm)	5lb (2.3kg)
DS40	Black	No	13.25"-17.25" (337-438mm)	2.69"-4.50" (68-114mm)	6lb (2.7kg)
DS45	Black	No	13.25"-17.25" (337-438mm)	4.25"-5.75" (108-146mm)	7lb (3.2kg)

To verify mount compatibility with any display or projector model use MountFinder™ at [peerless-av.com](http://peerless-av.com).

630-375-5100 | 800-865-2112 | [info@peerless-av.com](mailto:info@peerless-av.com) | [peerless-av.com](http://peerless-av.com)

## AV STORAGE & SUPPORTS



### MODELS

**VPM and DS models** Black & Silver (see chart)

### SPECIFICATIONS



#### Max Load

50lb (22kg)\*

#### Product Dimensions (W x H x D)

See chart

#### Ship Weight

See chart

\* When stacking units, do not exceed the load capacity of the display mount and the maximum load capacity of 50lb (22kg) (combined weight of AV Component Shelves and AV components).

\*\* All Jumbo 2000® Mounts with the exception of JMW2630, JM2640, JMW2630, JMW2640, JMC2630, JMC640, JMS2630, and JMS2640 which require VPM40-L

### CERTIFICATIONS

**RoHS**

### ACCESSORIES



**ACC931/ACC932/ACC951:**  
AV Component Shelf Accessory Brackets for Articulating, Pivot and Ceiling Mounts .....pg# 214



**IBA4-W:**  
Easy Mount Recessed Low Voltage Cable Plate ..... pg# 227





MODELS

Universal Models:

Includes standard hardware (hex or Phillips) for attaching component to mount

<b>ACC931</b>	Black
<b>ACC932</b>	Black
<b>ACC932-S</b>	Silver
<b>ACC951</b>	Gloss Black

DVD/VCR CONNECTOR INTERFACE

- ACC931:** Connects AV Component Shelves and pivot/articulating/ceiling mounts with PLP model adaptor plates.
- ACC932:** Connects AV Component Shelves and pivot/articulating/ceiling mounts with VESA® 75, 100, 200 x 100 and 200 x 200mm mounting holes.
- ACC951:** Connects AV Component Shelves and SA752PU, SA761PU, SA763PU & SA771PU mounts together.

SPECIFICATIONS



Max Load

30lb (13kg)

Product Dimensions (W x H x D)

<b>ACC931:</b>	10.83" x 19.11" x 3.77" (275 x 485 x 96mm)
<b>ACC932:</b>	9.54" x 16.70" x 3.57" (242 x 424 x 91mm)
<b>ACC951:</b>	10.50" x 19.11" x 4.62" (267 x 485 x 117mm)

Mounting Surfaces

Peerless-AV articulating wall arms and AV component mounts  
(Requires Peerless-AV VPM or DS model AV Component shelves)

Ship Weight

<b>ACC931:</b>	9lb (4.1kg)
<b>ACC932:</b>	6lb (2.7kg)
<b>ACC951:</b>	7lb (3kg)

CERTIFICATIONS



ACCESSORIES



**VPM and DS models:**  
AV Component Shelves .....pg# 213



**IBA4-W:**  
Easy Mount Recessed Low Voltage Cable Plate ..... pg# 227

# AV Component Shelf Accessory Brackets

For Articulating, Pivot and Ceiling Mounts

1. Connects Peerless-AV articulating, pivot and ceiling mounts to AV Component Shelves
2. Screw attachment location provides theft-deterrence when AV component is installed
3. Can be installed without removing mount from wall
4. Height adjustability allows AV component to sit flush with display



(AV Component shelf sold separately)



ACC931

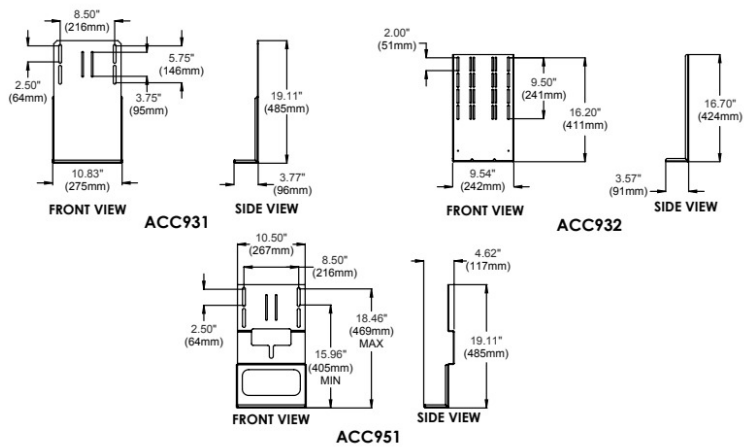


ACC951



TECHNICAL DRAWINGS

For expanded product information and technical data visit [peerless-av.com](http://peerless-av.com)



To verify mount compatibility with any display or projector model use MountFinder™ at [peerless-av.com](http://peerless-av.com).

# Video Conference Shelf

1. Mounts to 16" to 24" (406-610mm) wood studs
2. Shelf can be installed above or below display
3. 4" (102mm) of adjustable height to achieve ideal location of video conferencing equipment
4. Includes hardware for wood stud mounting



## AV STORAGE & SUPPORTS



### MODELS

#### Universal Models:

Includes standard hardware (hex or Phillips) for attaching component to mount

**ACC309** Black

### SPECIFICATIONS



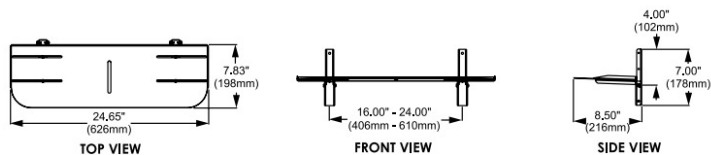
Max Load	
	25lb (11kg)
Product Dimensions (W x H x D)	
	24.65" x 7.00" x 8.50" (626 x 178 x 216mm)
Mounting Surfaces	
	Wood stud
Ship Weight	
	6lb (2.7kg)

### CERTIFICATIONS

**RoHS**  
COMPLIANT

For expanded product information and technical data visit [peerless-av.com](http://peerless-av.com)

### TECHNICAL DRAWINGS



To verify mount compatibility with any display or projector model use MountFinder™ at [peerless-av.com](http://peerless-av.com).



630-375-5100 | 800-865-2112



[info@peerless-av.com](mailto:info@peerless-av.com)



[peerless-av.com](http://peerless-av.com)

MODELS

Universal Models:

Includes standard hardware (Hex or Phillips) for attaching component to mount

**DSX200** Black

SPECIFICATIONS



Max Load

25lb (11kg)

Product Dimensions (W x H x D)

23.33" x 28.00" x 15.21"  
(593 x 711 x 386mm)

Mounting Surfaces

Wood stud

Ship Weight

18.75lb (8.5kg)

CERTIFICATIONS



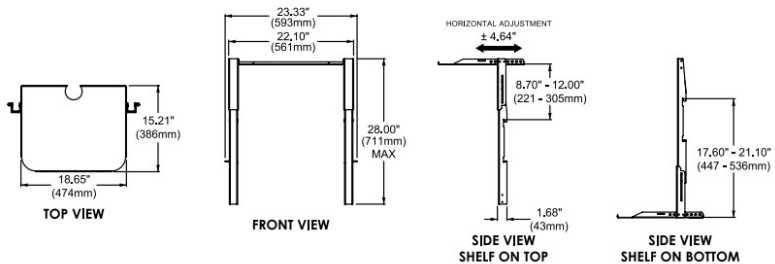
# Media Device Shelf

1. For media devices up to 18"W x 15"D (457 x 381mm)
2. Shelf can be mounted above or below the display
3. Adjustable shelf is easily moved vertically and horizontally
4. Safety belt secures media devices for added support



TECHNICAL DRAWINGS

For expanded product information and technical data visit [peerless-av.com](http://peerless-av.com)



To verify mount compatibility with any display or projector model use MountFinder™ at [peerless-av.com](http://peerless-av.com).



630-375-5100 | 800-865-2112



info@peerless-av.com



peerless-av.com



SMARTMOUNT.

# Video Conferencing Shelf Accessory

Compatible with Stated Peerless-AV® Mounts

1. Universal, fits virtually any video conferencing cameras including Polycom™, LifeSize® and Cisco®
2. Compatible with Peerless-AV® SA752PU, SA761PU, SA771PU, SAX755PU, SAX762PU, SAX772PU, SF640, SF650, SF660, SFX645, SFX560, SFX660, ST640, ST650, ST660, STX645, STX650 and STX660 mounts
3. Simple height adjustment provides perfect camera positioning
4. Mounts above or below the display
5. Low-profile design
6. Cable management slot keeps cables and cords neatly organized



## AV STORAGE & SUPPORTS



### MODELS

**Dedicated Models:**

Includes theft resistant hardware for attaching display to mount

**ACC-WMVCS**

Black

### SPECIFICATIONS



**Max Load**

15lb (6.83kg)

**Product Dimensions (W x H x D)**

14.63" x 22.00" x 8.17"  
(371 x 559 x 208mm)

**Ship Weight**

5.52lb (2.50kg)

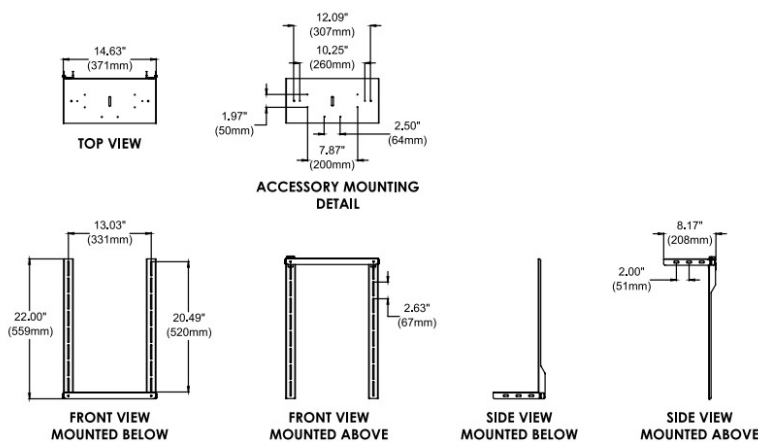
### CERTIFICATIONS

**RoHS**  
2002/95/EC

AV COMPONENT  
SHELVES/STORAGE

For expanded product information and technical data visit [peerless-av.com](http://peerless-av.com)

### TECHNICAL DRAWINGS



To verify mount compatibility with any display or projector model use MountFinder™ at [peerless-av.com](http://peerless-av.com).



630-375-5100

| 800-865-2112



info@peerless-av.com



peerless-av.com

## AV STORAGE & SUPPORTS



### MODELS

#### Dedicated Models:

Includes standard hardware for attaching component to mount  
**ACC-UCM** Black

### DISPLAY ADAPTOR



#### VESA® Pattern

Universal Models: 100 or 200mm

### SPECIFICATIONS



#### Max Load

5lb (2.27kg)

#### Product Dimensions (W x H x D)

8.38" x 8.75" x 0.36"  
 (213 x 222 x 9mm)

#### Mounting Surfaces

Wood stud, concrete, cinder or breeze block

#### Ship Weight

1.4lb (0.64kg)

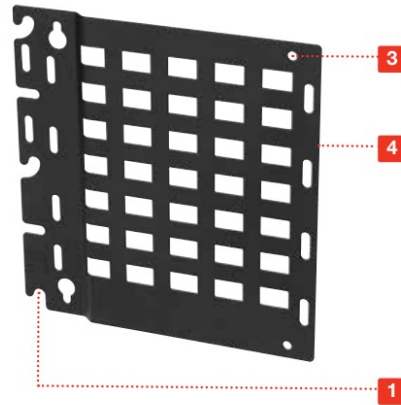
### CERTIFICATIONS

**RoHS**

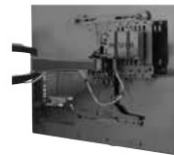
# Universal AV Component Mount

## For Streaming Media Players and other AV Components

1. Can be mounted to various wall surfaces, Peerless-AV products, or directly to the TV's VESA® pattern
2. Supports AV components up to 5lb (2.27kg)
3. 200 or 100mm VESA® mounting pattern or can be stacked for 400mm mounting pattern
4. Low-profile design
5. Includes (2) anti-scratch pads to cushion the device while it is held in place
6. Includes (2) hook and loop ties to secure the device to the component mount
7. Includes hardware to easily attach to Peerless-AV wall mounts
8. Includes screws and anchors to effortlessly attach directly to drywall



Attaches to Small Full-Motion Mounts



Attaches to Large Full-Motion Mounts



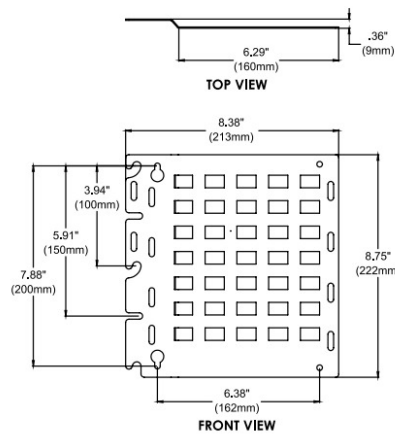
Attaches Directly to Wall



Attaches to Carts and Stands

### TECHNICAL DRAWINGS

For expanded product information and technical data visit [peerless-av.com](http://peerless-av.com)



To verify mount compatibility with any display or projector model use MountFinder™ at [peerless-av.com](http://peerless-av.com).



630-375-5100 | 800-865-2112



[info@peerless-av.com](mailto:info@peerless-av.com)



[peerless-av.com](http://peerless-av.com)

# Universal Game Console Security Mount

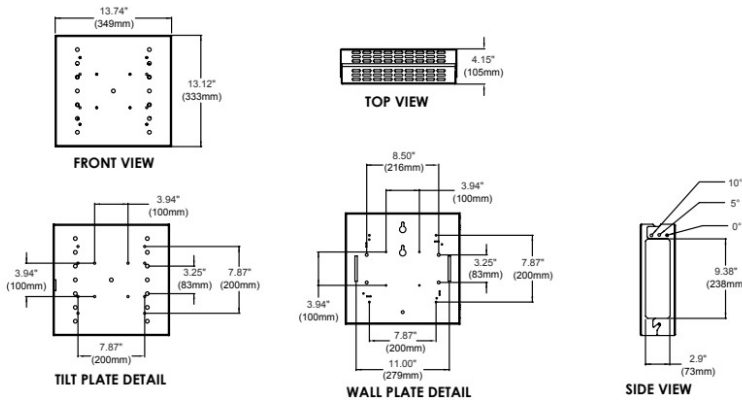
For Displays up to 56". Holds PS3™, Xbox 360™ and Wii™ internally

1. Universal mount protects the game console from tampering and theft
2. Ventilation on the top, bottom and sides allows access and prevents game console overheating
3. Mounts directly to a single stud, desktop or Peerless-AV compatible mount
4. Display can attach to the front of the mount via VESA® hole patterns of 100, 200, 200 x 100mm and PLP
5. For wall applications, display tilts 0°, 5° and 10°



For expanded product information and technical data visit [peerless-av.com](http://peerless-av.com)

## TECHNICAL DRAWINGS



To verify mount compatibility with any display or projector model use MountFinder™ at [peerless-av.com](http://peerless-av.com).

630-375-5100 | 800-865-2112 | [info@peerless-av.com](mailto:info@peerless-av.com) | [peerless-av.com](http://peerless-av.com)

## AV STORAGE & SUPPORTS



### MODELS

#### Universal Models:

Includes theft resistant hardware for attaching display to mount  
**GC-UNV** Textured black

### DISPLAY ADAPTOR



#### VESA® Pattern

Universal Models: 100, 200 and 200 x 100mm  
 Non-VESA® compliant displays require display-specific PLP adaptor to be purchased separately.

### SPECIFICATIONS

	<b>Distance from Wall</b>
	4.15" (105mm)
	<b>Tilt</b>
	0, 5, 10°
	<b>Max Load</b>
	100lb (46kg)
	<b>Product Dimensions (W x H x D)</b>
	13.74" x 13.12" x 4.15" (349 x 333 x 105mm)
	<b>Mounting Surfaces</b>
	Wood stud, concrete, cinder/breeze block and metal stud (Metal stud accessory required)
	<b>Ship Weight</b>
	13lb (5.9kg)

### CERTIFICATIONS

**RoHS**





MODELS

Dedicated Models:

Includes theft resistant hardware for attaching display to mount

<b>GC-X360S-B</b>	Holds Xbox 360S	Gloss Black
<b>GC-X360S-W</b>	Holds Xbox 360S	White
<b>GC-WII</b>	Holds Wii	White
<b>GC-PS3S</b>	Holds PS3	Black

SPECIFICATIONS



Max Load

25lb (11.3kg)

Product Dimensions (W x H x D)

<b>GC-X360S-B/-W:</b>	10.65" x 3.27" x 12.53" (270 x 83 x 318mm)
<b>GC-WII:</b>	8.68" x 1.91" x 8.00" (220 x 48 x 203mm)
<b>GC-PS3S:</b>	11.65" x 2.90" x 13.15" (295 x 74 x 334mm)

Mounting Surfaces

Desktop, wall and under cabinet

Ship Weight

<b>GC-X360S-B/-W:</b>	7.1lb (3.2kg)
<b>GC-WII:</b>	2.0lb (0.9kg)
<b>GC-PS3S:</b>	6.8lb (3.1kg)

CERTIFICATIONS



# Game Console Security Covers

Holds PS3™, Xbox 360S™ and Wii™ internally

1. Game console security cover prevents theft
2. Open access to console connection points, buttons and disc slot or tray
3. Cover allows for ventilation to prevent overheating
4. Gloss color finish to match game console
5. Easily mounted to a desktop or wall



GC-PS3S



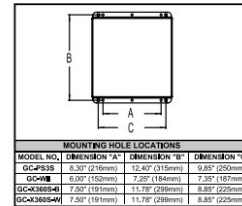
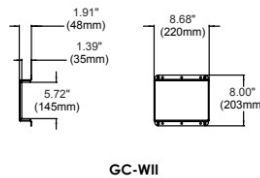
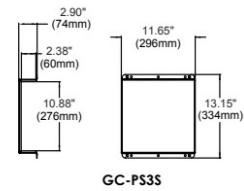
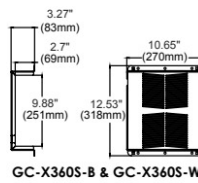
GC-WII



GC-X360S-B

TECHNICAL DRAWINGS

For expanded product information and technical data visit [peerless-av.com](http://peerless-av.com)



To verify mount compatibility with any display or projector model use MountFinder™ at [peerless-av.com](http://peerless-av.com).



630-375-5100 | 800-865-2112



info@peerless-av.com



peerless-av.com

# Universal Speaker Mount

For Speakers Weighing up to 8lb (3kg)

1. Mounts to wall or ceiling
2. Universal design fits most brands
3. Easy tilt, pivot and rotation adjustments
4. 2.15" (54mm) ceiling extension included
5. One, two and four hole mounting adaptors accommodate speakers with key hole and threaded inserts
6. Includes installation and speaker attachment hardware



## AV STORAGE & SUPPORTS



### MODELS

#### Universal Models:

Includes standard hardware (hex or Phillips) for attaching speaker mount to wall

<b>PSP2</b>	Black	(2 pack)
<b>PSP5</b>	Black	(5 pack)

### SPECIFICATIONS

#### Tilt | Swivel | Roll

±90° | 360° | 360°



#### Max Load

8lb (3kg)

#### Product Dimensions (W x H x D)

3.37" x 3.25"-5.40" x 1.75"  
(85 x 83-137 x 44mm)

#### Mounting Surfaces

Wood joist and concrete

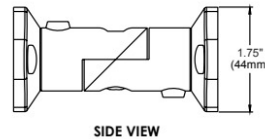
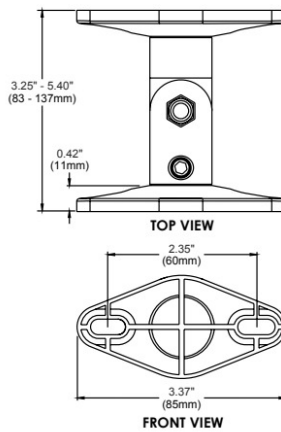
#### Ship Weight

<b>PSP2:</b>	1lb (.5kg)
<b>PSP5:</b>	3lb (1.4kg)

SPEAKER MOUNTS

For expanded product information and technical data visit [peerless-av.com](http://peerless-av.com)

### TECHNICAL DRAWINGS



To verify mount compatibility with any display or projector model use MountFinder™ at [peerless-av.com](http://peerless-av.com).



630-375-5100 | 800-865-2112



[info@peerless-av.com](mailto:info@peerless-av.com)



[peerless-av.com](http://peerless-av.com)



MODELS

Universal Models:

<b>SPK811</b>	Black
<b>SPK811W</b>	White

SPECIFICATIONS

Tilt | Swivel | Roll

±37.5° | 360° | ±37.5°

Max Load

20lb (9kg)

Product Dimensions (W x H x D)

2.00" x 3.27" x 2.43"-4.72"  
(51 x 83 x 62-120mm)

Mounting Surfaces

Wood stud, metal stud,  
concrete and drywall

Ship Weight

0.9lb (0.4kg)

CERTIFICATIONS



# Universal Speaker Mount

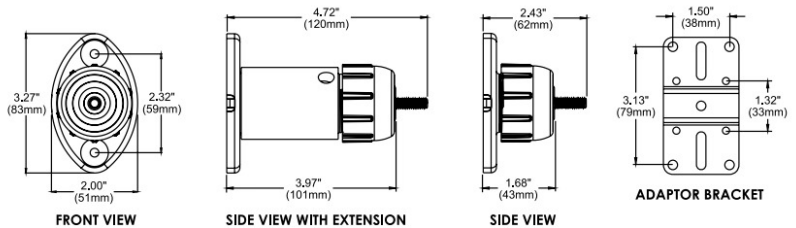
For Speakers Weighing up to 20lb (9kg)

1. Ball and socket design provides 37.5° of rotation up or down
2. Concealed mounting screws
3. Flush mounted or used with 3" (76mm) extensions
4. Includes hardware for mounting most commercially available speakers
5. Include fasteners for wood studs, metal studs, concrete and drywall
6. Speaker attachment hardware included
7. Internal speaker wire management



TECHNICAL DRAWINGS

For expanded product information and technical data visit [peerless-av.com](http://peerless-av.com)

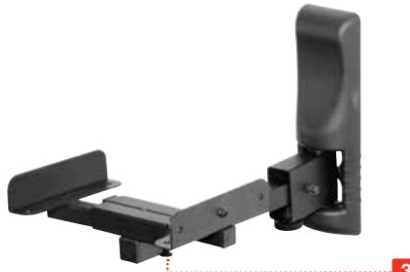




# Universal Speaker Mounts

For Speakers Weighing up to 26lb (12kg)

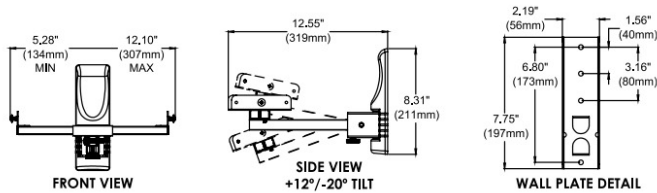
1. Designed for any bookshelf speaker including speakers without threaded inserts or keyhole slots
2. Double sided adhesive foam pads reduce vibration and prevent shifting of the speaker
3. Adjust the tilt of your speaker up to +12°/-20°, or swivel the speaker left or right up to ±35°
4. Sturdy mounts are made from steel with scratch resistant powercoat paint



Please visit [peerless-av.com/en-us/patents](http://peerless-av.com/en-us/patents) for patent information.

For expanded product information and technical data visit [peerless-av.com](http://peerless-av.com)

## TECHNICAL DRAWINGS



To verify mount compatibility with any display or projector model use MountFinder™ at [peerless-av.com](http://peerless-av.com).

630-375-5100 | 800-865-2112 | [info@peerless-av.com](mailto:info@peerless-av.com) | [peerless-av.com](http://peerless-av.com)

## AV STORAGE & SUPPORTS

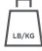


### MODELS

#### Universal Models:

**SPK26** Black (2 pack)

### SPECIFICATIONS

Tilt   Swivel	
±7°   ±90°	
	Max Load
	26lb (12kg)
Product Dimensions (W x H x D)	
5.91" - 11.02" x 8.27" x 12.28" (150-280 x 210 x 312mm)	
Mounting Surfaces	
Wood stud, concrete and cinder block	
Ship Weight	
4.83lb (2.19kg)	

### ACCESSORIES



**ACC233/234, ACC243/244:**  
Concrete Anchors ..... pg# 234



MODELS

Universal Models:

**CMR410** Light Gray  
7" (178mm) Camera Mount

SPECIFICATIONS

Tilt | Swivel

90° | 360°

Max Load

10lb (4kg)

Product Dimensions (W x H x D)

3.00" x 5.65" x 7.00"  
(76 x 144 x 178mm)

Mounting Surfaces

Wall or ceiling

Ship Weight

1 lb (0.5kg)

CERTIFICATIONS

**RoHS**

# Camera Mounts

For Small to Medium Security Cameras

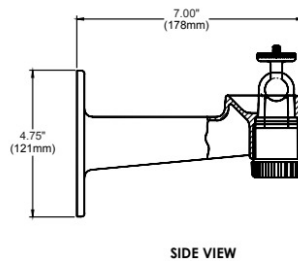
1. Patented ball and socket design for 360° swivel and 90° tilt for ideal positioning of camera
2. Engineered plastic eliminates electrical grounding problems
3. Single point adjustment knob
4. Cable management routing duct
5. Wall or ceiling mountable with option to mount directly to standard electrical outlet box
6. Mounting stud for camera installation



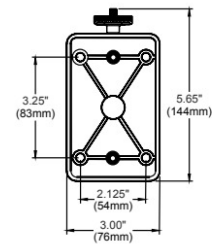
Please visit [peerless-av.com/en-us/patents](http://peerless-av.com/en-us/patents) for patent information.

TECHNICAL DRAWINGS

For expanded product information and technical data visit [peerless-av.com](http://peerless-av.com)



SIDE VIEW



BACK VIEW

To verify mount compatibility with any display or projector model use MountFinder™ at [peerless-av.com](http://peerless-av.com).

630-375-5100 | 800-865-2112

info@peerless-av.com

peerless-av.com



# AV

## ACCESSORIES

---



# Peerless-AV<sup>®</sup> Provides all the Accessories You Need

- Universal designs that fit multiple components
- Create clean, finished installations that complement the look of the environment
- Select fully-integrated designs for the ultimate flexibility

## Wall Mounts Accessories

Learn more  
on pages 226-227



**In-Wall  
Accessory Boxes**



**Video Conferencing  
Shelf Accessory**



**Recessed Low  
Voltage Cable Plate**

## Ceiling Mounts Accessories

Learn more  
on pages 228-232



**Cathedral  
Ceiling Adaptors**



**Suspended  
Ceiling Plates**



**Projector  
Wall Arms**

## Carts & Stands Accessories

Learn more  
on pages 235-236



**Electrical Outlet Strip  
with Cord Wrap**



**Safety Belts**



**Shelves**

**MOUNT ACCESSORIES**

**FLD-UNV(-S)**  
Display Base Lock-Down Security Kit ..... pg# 226

**ACC-WMVC**  
Video Conferencing Shelf Accessory ..... pg# 226

**ACCXT400/402 Models**  
Recessed Power Outlet with  
Low Voltage In-Wall Cable Routing..... pg# 226

**ACC-HPF650**  
In-Furniture Bracket ..... pg# 226

**RM12W**  
Rotational Mount Interface for Wall Mounts .. pg# 226

**ACC2X1**  
VESAs® 200 x 100mm Adaptor Plate ..... pg# 226

**ACC-UCM**  
Universal AV Component Mount ..... pg# 226

**ACC952**  
Above Display SUF Security Lock Accessory ..... pg# 226

**ACC4X4**  
VESAs® 400 x 400mm Adaptor Plate ..... pg# 226

**IN-WALL ACCESSORY BOXES**

**IBA2(-W)**  
In-Wall Accessories Box..... pg# 227

**IBA2AC(-W)**  
In-Wall Accessories Box  
with 125V Duplex Power Receptacle..... pg# 227

**IBA4-W**  
Easy Mount Recessed  
Low Voltage Cable Plate ..... pg# 227

**IBA3(-W)**  
In-Wall Accessories Box..... pg# 227

**IBA3AC(-W)**  
In-Wall Accessories Box  
with 125V Duplex Power Receptacle..... pg# 227

**IBA5-W**  
In-Wall Accessories Box  
with 125V Duplex Power Receptacle..... pg# 227

**CEILING PLATES**

**CMJ470(W), CMJ480, CMJ490**  
Ceiling Plates ..... pg# 228

**ACC120**  
Internal Joist Mount ..... pg# 228

**ACC570(S)(W) Models**  
Round Ceiling Plate ..... pg# 228

**ACC560**  
Ceiling Plate..... pg# 228

**ACC-CCPHD**  
Heavy Duty Cathedral Ceiling Adaptor ..... pg# 228

**ACC-CCP**  
Cathedral Ceiling Adaptor ..... pg# 228

**ACC840, ACC845 Models**  
Anti-Vibration Ceiling Plates ..... pg# 228

**CMJ300, CMJ310 Models**  
Unistrut® and Structural Ceiling Plate..... pg# 228

**ACC550**  
Unistrut® Adaptor for Truss Ceiling..... pg# 228

**ACC558, ACC559 Models**  
I-beam Clamps ..... pg# 229

**ACC557**  
Truss Ceiling Adaptor ..... pg# 229

**ACC600**  
Multi-Display Interface Bracket..... pg# 229

**DCT100**  
Truss Ceiling Adaptor  
with Stress Decoupler ..... pg# 229

**DCS200**  
Structural Ceiling Plate with Stress Decoupler.. pg# 229

**ACC810**  
Threaded Rod Adaptor ..... pg# 229

**EXT Models**  
Fixed Length Extension Columns ..... pg# 229

**AEC Models**  
Adjustable Extension Columns ..... pg# 229

**CEILING PLATES & ACCESSORIES**

**CMJ450**  
Suspended Ceiling Plate ..... pg# 230

**CMJ453**  
Variable Position Suspended Ceiling Kit ..... pg# 230

**CMJ455**  
Lightweight Suspended Ceiling Kit..... pg# 230

**CMJ500R1**  
Lightweight Adjustable  
Suspended Ceiling Plate..... pg# 230

**ACC455**  
Accessory Pack for CMJ455 ..... pg# 230

**ACC460**  
Safety Cable Mounting Bracket  
for PB-1/CMJ453/CMJ450 ..... pg# 230

**PB-1**  
Plenum Box for CMJ450, 453, 455 and 500 ... pg# 230

**PWA-14(S)(W) Models**  
Projector Wall Arm ..... pg# 230

**WMJ018, WMJ022 Models**  
Wall Arms ..... pg# 230

**EXTENSIONS & ACCESSORIES**

**ACC109**  
Extension Column Connector ..... pg# 231

**ACC800**  
Connector with Cord Management ..... pg# 231

**ACC850(S)**  
Connector with Cord Management ..... pg# 231

**DCT300**  
Multi-Display Truss Ceiling Stress Decoupler... pg# 231

**DCS400**  
Multi-Display Structural Ceiling  
Stress Decoupler ..... pg# 231

**DCT500/600/800/900 Models**  
Multi-Display I-beam Clamps..... pg# 231

**ADD Models**  
Multi-Display Extension Column (Fixed  
Extension Columns for Ceiling Decouplers) .. pg# 231

**ADD Models**  
Multi-Display Extension Column (Adjustable  
Extension Columns for Ceiling Decouplers) ... pg# 231

**COLUMN ACCESSORIES  
& ADAPTOR PLATES**

**ACC640(-B)(-W), ACC002, ACC641 Models**  
Escutcheon Ring..... pg# 232

**ACC852(W), ACC856(W) Models**  
Cord Wrap..... pg# 232

**ACC450**  
Adaptor Bracket for 22" to 40" Displays ..... pg# 232

**ACC050**  
Extension Column Stabilizer Kit ..... pg# 232

**ACC830**  
Side-to-Side Adjuster..... pg# 232

**ACC-M1020**  
PLP Mounting Hardware Kit ..... pg# 232

**PLP-UNM**  
Universal I-Shaped Adaptor  
for 22" to 50" Displays ..... pg# 232

**PLP-UNL**  
Universal I-Shaped Adaptor  
for 32" to 90" Displays ..... pg# 232

**PLP-V models**  
Dedicated Adaptor Plates ..... pg# 232

**WALL PLATES**

**WSP700/WSP701 Models**  
Metal Stud Wall Plate  
for use with Peerless-AV Single Stud Arms ... pg# 233

**WSP756**  
Metal Stud Wall Plate..... pg# 233

**WBK100(-W)**  
Short Throw Double Stud Wall Plate ..... pg# 233

**WSP425(W)/445 Models**  
Metal Stud Wall Plates - Double Stud ..... pg# 233

**WALL PLATES**

.....continued

**WSP816/820/824 Models**  
Metal Stud Wall Plate  
for FPS-1000 and SP850..... pg# 233

**ACC625/630 Models**  
Dedicated Wall Adaptor Box ..... pg# 233

**HARDWARE & SURGE PROTECTORS**

**ACC918, ACC925 Models**  
VESAs® Security Fasteners ..... pg# 234

**ACC215, ACC415, ACC615 Models**  
Metal Stud Fastener Kit ..... pg# 234

**ACC230/234, ACC240/244 Models**  
Concrete Anchors ..... pg# 234

**ACC605**  
Wall Hardware for IWB600-SB ..... pg# 234

**ACC954**  
Theft Resistant Security Kit  
for the PTM400 and PTM200..... pg# 234

**ACC200, ACC205,  
ACC210, ACC255 Models**  
Concrete Expansion Anchors..... pg# 234

**PVP1100-CPL6**  
Six Outlet Surge Protector..... pg# 234

**CARTS & STANDS ACCESSORIES**

**ACC320**  
Electrical Outlet Strip with Cord Wrap..... pg# 235

**ACC316**  
Safety Belt ..... pg# 235

**ACC666**  
Safety Belt ..... pg# 235

**RM12C**  
Rotational Mount Interface  
for Carts & Stands..... pg# 235

**ACC-V900X, MIS995**  
VESAs® Adaptor for Carts & Stands..... pg# 235

**ACC-SPARK55, ACC-SPARK70**  
Cisco Spark Board Adaptor Brackets..... pg# 235

**MOD-UNL2**  
Large Universal Adaptor ..... pg# 235

**MIS735**  
Dual-Display Cartridge..... pg# 235

**ACC604**  
Dual-Display Cartridge ..... pg# 235

**ACC-DS-VW2X2**  
Video Wall Conversion Kit ..... pg# 235

**ACC-BPR**  
Bumper Accessory for Cart Legs ..... pg# 235

**ACC310**  
Cart or Stand Feet Accessory..... pg# 235

**SHELVES**

**ACC-MS**  
Metal Shelf for Carts & Stands..... pg# 236

**ACC833**  
Equipment Accessory Shelf  
for Pedestal Mounts ..... pg# 236

**ACC325**  
Accessory Shelf for FPZ-600..... pg# 236

**ACC-LA**  
Laptop Arm for Carts & Stands..... pg# 236

**ACC328**  
Laptop Tray for Monitor Mounts ..... pg# 236

**ACC-VCS**  
Video Conferencing Camera Shelf ..... pg# 236



## FLD-UNV

### Display Base Lock-Down Security Kit

1. Brackets quickly fasten to the bottom of a variety of display base stands
2. Securely mounts to wood surfaces with tamper resistant hardware
3. Low-profile clips remain hidden when installed

**Max Load:** 100lb (45.3kg)  
**Ship Weight:** 0.6lb (0.3kg)  
**Color:** Black



RoHS

## ACC-WMVCs

### Video Conferencing Shelf Accessory

1. Universal, fits virtually any video conferencing cameras including Polycom™, LifeSize® and Cisco®
2. Compatible with Peerless-AV SA752PU, SA761PU, SA771PU, SAX755PU, SAX762PU, SAX772PU, SF640, SF650, SF660, SFX645, SFX560, SFX660, ST640, ST650, ST660, STX645, STX650 and STX660 mounts
3. Simple height adjustment provides perfect camera positioning
4. Mounts above or below the display
5. Low-profile design
6. Cable management slot keeps cables and cords neatly organized

**Max Load:** 15lb (6.8kg)  
**Ship Weight:** 5.52lb (2.50kg)  
**Color:** Black



## ACCXT400 / 402 Recessed Power Outlet with Low Voltage In-Wall Cable Routing

1. Low-profile design fits neatly into the SAX, SFX and STX wall plate without adding depth to the mount
2. Routes low voltage component cables inside the wall
3. 15Amp/125 Volt duplex power receptacle power source with surge suppressor protection
4. ACCXT400 compatible with SmartMountXT™ SAX762PU and SAX772PU mounts
5. ACCXT402 compatible with SmartMount® and SmartMountXT™ flat and tilt mounts

**Ship Weight:** ACCXT400: 1.26lb (0.6kg)  
**Color:** Black



## ACC-HPF650

### In-Furniture Bracket

1. Compatible with HPF650 Pull-Out Pivot Wall Mount
2. Low profile bracket allows HPF650 to be mounted flush within furniture for a clean finished look

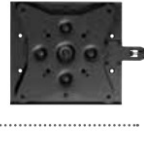
**Ship Weight:** 8lb (3.6kg)  
**Color:** Black



## RMI2W Rotational Mount Interface for Wall Mounts

1. Rotate landscape to portrait orientation without removing the screen
2. Compatible with Peerless-AV SA740P, SA746PU, SA752PU, SA761PU, SA771PU, SF16D, ST16D, PLCM-1, PLCM-2, PLCM-4, PLCK-1, MOD-FPMS, MOD-FPMD2, PLCM-1CP, PLCM-UNL, PLCM-2-UNL, PLCK-UNL, PLCM-UNL-CP and PLP-V% models

**Max Load:** 175lb (79kg)  
**Ship Weight:** 9.1lb (4.13kg)  
**Color:** Black



## ACC2X1

### VESA® 200 x 100mm Adaptor Plate

1. Increases the mounting pattern of VESA® 75 & 100mm mounts to include 200 x 100mm
2. Compatible with Peerless-AV PF630, PT630, PP730, PA730, SF630(P), ST630(P), SP730P and SA730P models

**Max Load:** See mount weight load  
**Ship Weight:** 0.77lb (0.35kg)  
**Color:** Gloss black

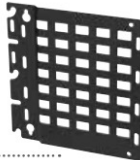


## ACC-UCM

### Universal AV Component Mount

1. Can be mounted to various wall surfaces, Peerless-AV products, or directly to the TV's VESA® pattern
2. Supports AV components up to 5lb (2.27kg)
3. 200 or 100mm VESA® mounting pattern or can be stacked for 400mm mounting pattern

**Ship Weight:** 1.4lb (0.64kg)  
**Color:** Black



## ACC952 Above Display SUF Security Lock Accessory

1. Prevents display from being lifted up off of SUF Mount
2. Attaches to wall with theft resistant security screw
3. Two keyed-alike padlocks prevent access to security screw

**Ship Weight:** 2lb (0.91kg)  
**Color:** Gloss Black



Patent Pending

## ACC4X4

### VESA® 400 x 400mm Adaptor Plate

1. Increases the mounting pattern of VESA® 200 x 200mm mounts to include 300 x 200, 300 x 300, 400 x 200, 400 x 300, and 400 x 400mm
2. Compatible with Peerless-AV PF632, PT632, PP740, PA740, SF632(P), ST632(P), SP740P and SA740P models

**Max Load:** See mount weight load  
**Ship Weight:** 1.45lb (0.66kg)  
**Color:** Gloss black



To verify mount compatibility with any display or projector model use MountFinder™ at [peerless-av.com](http://peerless-av.com).





### IBA2(-W) In-Wall Accessories Box

1. Helps create clean and concealed installation by adding additional cable and power management space behind the display
2. Installs between wood studs on 16" centers
3. Removable access plate with low voltage cable management and outlet knock out panel
4. Cable ties for organized finish
5. Heavy gauge steel construction

**Useable Space:** 13.10" x 9.6" x 3.76"  
(W x H x D) (333 x 244 x 96mm)

**Max Load:** 25lb (11.34kg)  
**Ship Weight:** 6.5lb (2.94kg)  
**Color:** Gloss black or white



### IBA2AC(-W) In-Wall Accessories Box with 125V Duplex Power Receptacle

1. Helps create clean and concealed installation by adding additional cable and power management space behind the display
2. Installs between wood studs on 16" centers
3. Leviton SmartGrid tamper resistant duplex surge outlet and galvanized gang box
4. Removable outlet receptacle and cable management access plate
5. Cable ties for organized finish
6. Heavy gauge steel construction

**Useable Space:** 13.10" x 9.6" x 3.76"  
(W x H x D) (333 x 244 x 96mm)

**Max Load:** 25lb (11.34kg)  
**Ship Weight:** 7lb (3.17kg)  
**Color:** Gloss black or white



### IBA4-W Easy Mount Recessed Low Voltage Cable Plate

1. Inside-wall cable routing
2. Low profile design fits behind the thinnest mounts and displays
3. Sleek design makes outside cable covers unnecessary
4. Swing out wing attachment allows installation directly to drywall
5. Installation template included

**Overall Dimensions:** 3.22" x 4.88" x 2.17"  
(W x H x D) (82 x 124 x 55mm)

**Ship Weight:** 0.5lb (0.23kg)  
**Color:** White



### IBA3(-W) In-Wall Accessories Box

1. Helps create clean and concealed installation by adding additional cable and power management space behind the display
2. Installs between wood studs on 16" centers
3. Removable access plate with low voltage cable management and outlet knock out panel
4. Cable ties for organized finish
5. Heavy gauge steel construction

**Useable Space:** 13.10" x 4.35" x 3.76"  
(W x H x D) (333 x 110 x 96mm)

**Max Load:** 25lb (11.34kg)  
**Ship Weight:** 5lb (2.26kg)  
**Color:** Gloss black or white



### IBA3AC(-W) In-Wall Accessories Box with 125V Duplex Power Receptacle

1. Helps create clean and concealed installation by adding additional cable and power management space behind the display
2. Installs between wood studs on 16" centers
3. Leviton SmartGrid tamper resistant duplex surge outlet and galvanized gang box
4. Removable outlet receptacle and cable management access plate
5. Cable ties for organized finish
6. Heavy gauge steel construction

**Useable Space:** 13.10" x 4.35" x 3.76"  
(W x H x D) (333 x 110 x 96mm)

**Max Load:** 25lb (11.34kg)  
**Ship Weight:** 6lb (2.72kg)  
**Color:** Gloss black or white



### IBA5-W In-Wall Accessories Box with 125V Duplex Power Receptacle

1. Duplex power receptacle with surge protection
2. Copper wiring device surgeblock protection
3. Inside wall cable routing
4. Swing out wing attachment allows installation directly to drywall
5. Low profile design fits behind the thinnest mounts and displays
6. Sleek design makes outside cable covers unnecessary

**Overall Dimensions:** 8.10" x 7.58" x 3.68"  
(W x H x D) (206 x 193 x 93mm)

**Ship Weight:** 2lb (0.91kg)  
**Color:** White



To verify mount compatibility with any display or projector model use MountFinder™ at [peerless-av.com](http://peerless-av.com).

630-375-5100 | 800-865-2112

[info@peerless-av.com](mailto:info@peerless-av.com)

[peerless-av.com](http://peerless-av.com)

Display Mounts

Projector Mounts

227

## CMJ470(W), CMJ480, CMJ490 Ceiling Plates

1. Mounts to wood joists or structural concrete ceiling (requires concrete anchors ACC234/ACC244, sold separately)
2. 1.5"-11.5 NPT (38mm) fitting for attachment of extension column

**CMJ470(W):** for 16" (406mm) joist centers  
**CMJ480:** for 20" (508mm) joist centers  
**CMJ490:** for 24" (609mm) joist centers  
**Max Load:** 300lb (136kg)  
**Ship Weight:** **CMJ470** 3.2lb (1.4kg)  
**CMJ480** 4.8lb (2.2kg)  
**CMJ490** 5.7lb (2.6kg)

**Color:** Black or white (CMJ470W only)



## ACC120 Internal Joist Mount

1. Expandable to mount between two wood joists from 16" to 20" (406-508mm) centers
2. Attachment point for extension column may be positioned at any point within 2-3/4" (69mm) of either joist
3. 1.5"-11.5 NPT (38mm) fitting for attachment of extension column

**Max Load:** 300lb (136kg)  
**Ship Weight:** 8lb (3.6kg)  
**Color:** Black



## ACC570(S)(W) Round Ceiling Plate

1. Mounts to wood joist or structural ceiling (requires concrete anchor ACC233 or ACC200, sold separately)
2. Cable management access hole
3. 1.5"-11.5 NPT (38mm) fitting for attachment of extension column

**Max Load:** 150lb (68kg)  
**Ship Weight:** 1.7lb (.8kg)  
**Color:** Black, silver or white



## ACC560 Ceiling Plate

1. Mounts to wood joist, structural ceiling or concrete
2. Low-profile design ideal for small displays and projector installations
3. 1.5"-11.5 NPT (38mm) fitting for attachment of extension column

**Max Load:** 50lb (22kg)  
**Ship Weight:** 0.93lb (.4kg)  
**Color:** Black



## ACC-CCPHD Heavy Duty Cathedral Ceiling Adaptor

1. Mounts to cathedral or vaulted ceilings
2. -5°/+95° of adjustment
3. 1.5"-11.5 NPT (38mm) fitting for attachment of extension column

**Max Load:** 500lb (226.8kg)  
**Ship Weight:** 4.1lb (1.86kg)  
**Color:** Black



## ACC-CCP Cathedral Ceiling Adaptor

1. Mounts to cathedral or vaulted ceilings
2. -5°/+95° of adjustment
3. 1.5"-11.5 NPT (38mm) fitting for attachment of extension column

**Max Load:** 150lb (68.2kg)  
**Ship Weight:** 2.3lb (1.04kg)  
**Color:** Black



## ACC840, ACC845 Anti-Vibration Ceiling Plates

1. Reduces vibrations that may cause internal damage to equipment and/or cause display image to vibrate
2. Features two cord management access holes
3. 1.5"-11.5 NPT (38mm) fitting for attachment of extension column

**ACC840:** for wood joist ceiling  
**ACC845:** for Unistrut ceiling 1.625" x 1.625" (41 x 41mm) 12 gauge Unistrut

**Max Load:** 60lb (27kg)  
**Ship Weight:** **ACC840:** 3lb (1.4kg)  
**ACC845:** 4lb (1.8kg)  
**Color:** Black



## CMJ300, CMJ310 Unistrut® and Structural Ceiling Plate

1. Attaches directly to standard Unistrut 1.625" x 1.625" (41 x 41mm) or to solid structural ceiling
2. Unistrut fittings and attachment hardware not included
3. 1.5"-11.5 NPT (38mm) fitting for attachment of extension column

**Max Load:** 250lb (113kg)  
**Ship Weight:** **CMJ300** 2lb (.9kg)  
**CMJ310** 4lb (1.8kg)  
**Color:** Black



## ACC550 Unistrut® Adaptor for Truss Ceiling

1. For use with 1.625" x 1.625" (41 x 41mm), 12 gauge Unistrut
2. 1.5"-11.5 NPT (38mm) fitting for attachment of extension column

**Max Load:** 250lb (113kg)  
**Ship Weight:** 1.4lb (.6kg)  
**Color:** Black



To verify mount compatibility with any display or projector model use MountFinder™ at [peerless-av.com](http://peerless-av.com).

## ACC558, ACC559 I-Beam Clamps

1. 1.5"-11.5 NPT (38mm) fitting for attachment of extension column

**ACC558:** for 4"-8" (101-203mm) wide, 0.25" to 1" (6-25mm) thick I-Beam  
**ACC559:** for 7"-12" (177-304mm) wide, 0.25" to 1" (6-25mm) thick I-Beam

**Max Load:** 250 lb (113 kg)  
**Ship Weight:** ACC558 4.8lb (2kg)  
 ACC559 5.3lb (2.4kg)  
**Color:** Black



## ACC557 Truss Ceiling Adaptor

1. Attaches to a round square, rectangular, or I-Beam truss up to 3" (76mm) wide x 3.5" (89mm) high
2. 1.5"-11.5 NPT (38mm) fitting for attachment of extension column

**Max Load:** 1,200lb (544kg)  
**Ship Weight:** 3lb (1.4kg)  
**Color:** Black



## ACC600 Multi-Display Interface Bracket

1. Suspends flat panel display mount from extension column to in-line, curvilinear and circular MDJ multi-display configurations
2. For use with EXT or ADJ model extension columns
3. For other applications that require mounting from pipe larger than 2" (50mm) in diameter, use ACC557

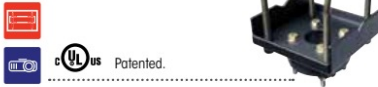
**Max Load:** 1200lb (544kg)  
**Ship Weight:** 3.8lb (1.7kg)  
**Color:** Black



## DCT100 Truss Ceiling Adaptor with Stress Decoupler

1. Includes truss ceiling plate with integral high density rubber decoupler assembly to prevent vibrations
2. Attaches to round, square, rectangular or I-beam trusses up to 3" (76mm) wide x 3" (76mm) high
3. 1.5"-11.5 NPT (38mm) fitting for attachment of extension column

**Max Load:** 300lb (136kg)  
**Ship Weight:** 4lb (1.8kg)



## ACC810 Threaded Rod Adaptor

1. For use with 1/2"-13 threaded rod
2. Has 1.5" x 11.5 NPT (38mm) male thread for use with Peerless-AV mounts and ceiling accessories
3. Security screws included

**Max Load:** 50lb (22kg)  
**Ship Weight:** 1lb (.5kg)  
**Color:** Black



## EXT Models Fixed Length Extension Columns

1. 1.5"-11.5 NPT (38mm) pipe threaded on both ends. Notched for use with screw to provide safety and security
2. Extension columns are manufactured from corrosion resistant aluminum and provide cable management access

Model	Drop	Ship Weight
EXT002**	Flush	1lb (0.4kg)
EXT006(S)-(-W)	6" (15cm)	1lb (0.4kg)
EXT018(S)-(-W)	18" (46cm)	1lb (0.4kg)
EXT101(S)-(-W)	1" (0.3m)	2lb (0.8kg)
EXT102(S)-(-W)	2" (0.6m)	2lb (0.8kg)
EXT103(S)-(-W)	3" (0.9m)	3lb (1.2kg)
EXT104(S)-(-W)	4" (1.2m)	4lb (1.8kg)
EXT105(S)-(-W)	5" (1.5m)	6lb (2.7kg)
EXT106(S)-(-W)	6" (1.8m)	7lb (3.2kg)
EXT107(-W)	7" (2.1m)	7lb (3.2kg)
EXT108(S)-(-W)	8" (2.4m)	8lb (3.6kg)
EXT109(S)-(-W)	9" (2.7m)	9lb (4.1kg)
EXT110(-W)	10" (3.1m)	11lb (5kg)

\*\* For projector installations only

**Max Load:** 500lb (227.3kg)  
**Color:** Black, silver or white



## AEC Models Adjustable Extension Columns

1. 1.5"-11.5 NPT (38mm) pipe threaded on both ends
2. Notch design at top for set screw to lock column in place
3. Height adjustment at 1" (25mm) increments
4. Extension column lengths measure 1" (25mm) longer than stated drop to provide finished drop length for various mounts
5. Extension columns are manufactured from corrosion resistant aluminum and provide cable management access

Model	Drop	Ship Weight
AEC006009(-S)-(-W)	6"-9" (0.15-0.23m)	1.3lb (0.6kg)
AEC009012(-S)-(-W)	9"-12" (0.22-0.30m)	1.6lb (0.7kg)
AEC012018(-S)-(-W)	12"-18" (0.30-0.46m)	2.2lb (1kg)
AEC018024 (-S)-(-W)	18"-24" (0.46-0.61m)	2.9lb (1.3kg)
AEC0203(-S)-(-W)	2"-3" (0.61-0.91m)	4.1lb (1.9kg)
AEC0305(-S)-(-W)	3"-5" (0.91-1.52m)	6.7lb (3kg)
AEC0406(-S)-(-W)	4"-6" (1.22-1.83m)	9.1lb (4.1kg)
AEC0507(-S)-(-W)	5"-7" (1.52-2.13m)	10.4lb (4.7kg)
AEC0608(-S)-(-W)	6"-8" (1.83-2.44m)	11.4lb (5kg)
AEC0810(-S)-(-W)	8"-10" (2.44-3.05m)	13.9lb (6.3kg)
AEC1012(-S)-(-W)	10"-12" (3.05-3.66m)	16lb (7.3kg)

**Max Load:** 500lb (227.3kg)  
**Color:** Black, silver or white



## DCS200 Structural Ceiling Plate with Stress Decoupler

1. Includes structural ceiling plate with integral high density rubber decoupler assembly to prevent vibrations
2. Mounts to concrete beam, slab or other structural member
3. 1.5"-11.5 NPT (38mm) fitting for attachment of extension column

**Max Load:** 300lb (136kg)  
**Ship Weight:** 6lb (2.7kg)  
**Color:** Black



To verify mount compatibility with any display or projector model use [MountFinder™](http://MountFinder.™@peerless-av.com) at [peerless-av.com](http://peerless-av.com).

630-375-5100 | 800-865-2112 | [info@peerless-av.com](mailto:info@peerless-av.com) | [peerless-av.com](http://peerless-av.com)



## CMJ450 Suspended Ceiling Plate

1. Replaces 2' x 2' (609 x 609mm) ceiling tile and secures to structural ceiling with tie wires
2. Includes tie wire supports and ceiling plate with two knockout panels for outlet boxes and antenna leads (knockouts are for half-size handy boxes with flanges)
3. 1.5"-11.5 NPS (38mm) fitting for attachment of extension column

**Max Load:** 250lb (114kg)  
**Ship Weight:** 21.1lb (9.6kg)  
**Color:** White



## CMJ453 Variable Position Suspended Ceiling Kit

1. Replaces 2' x 2' (609 x 609mm) ceiling tile and secures to structural ceiling with tie wires
2. Two-piece design offers five different points for mount attachment
3. Includes tie wire supports, flush mount tube and offers two knockout panels for outlet boxes
4. 1.5"-11.5 NPS (38mm) fitting for attachment of extension column

**Max Load:** 250lb (114kg)  
**Ship Weight:** 21.4lb (9.7kg)  
**Color:** White



## CMJ455 Lightweight Suspended Ceiling Kit

1. Replaces a 2' x 2' (609 x 609mm) ceiling tile or mounts above existing 2' x 2' (609 x 609mm) or 2' x 4' (609 x 1219mm) ceiling tile to structural ceiling with tie wires
2. Two-piece design offers five different points for mount attachment
3. Includes tie wire supports, flush mount tube and offers two knockout panels for outlet boxes
4. 1.5"-11.5 NPS (38mm) fitting for attachment of extension column

**Max Load:** 50lb (22kg)  
**Ship Weight:** 14.6lb (6.6kg)  
**Color:** White



## CMJ500R1 Lightweight Adjustable Suspended Ceiling Plate

1. Mounts above 2' x 2' (609 x 609mm) or 2' x 4' (609 x 1219mm) ceiling tile to structural ceiling with tie wires
2. Includes Kwik-Loc™ self locking cable joiners for simple cable support set-up
3. Allows 13.90" (353mm) uninterrupted adjustment
4. Two 3.25" x 2.25" electrical box knockouts

**Max Load:** 60lb (27kg)  
**Ship Weight:** 6.6lb (2.9kg)



## ACC455 Accessory Pack for CMJ455

1. Includes four hanger brackets and four hanger clamps for additional stability
2. For use with model CMJ455

**Ship Weight:** 2lb (.9kg)  
**Color:** Black



## ACC460 Safety Cable Mounting Bracket for PB-1/CMJ453/CMJ450

1. Includes (2) mounting brackets and (2) rail clamps
2. For use with PB-1/CMJ453 or PB-1/CMJ450

**Max Load:** 10lb (4.5kg)  
**Ship Weight:** 0.5lb (0.23kg)  
**Color:** White



## PB-1 Plenum Box for CMJ450, 453, 455 and 500

1. Simple lockdown with slideable lid and optional lockdown screw
2. 3" (76mm) of lateral adjustment for precise placement
3. 0.5" (13mm), 0.75" (19mm) and 1" (25mm)
4. For all CMJ450 and 453 installations ACC460 is required

**Ship Weight:** 11.28lb (5.12kg)  
**Color:** White



## PWA-14(S)(W) Projector Wall Arm

1. Mounts to single wood stud or concrete wall (requires concrete anchor ACC233/243, sold separately)
2. Offers 14.25" (361mm) reach
3. Includes flush mount adaptor

**Max Load:** 50lb (22kg)  
**Ship Weight:** 5lb (2.3kg)  
**Color:** Black, silver or white



## WMJ018, WMJ022 Wall Arms

1. 1.5"-11.5 NPT (38mm) threaded fitting accepts flush mount tube or extension column
2. Comes with wood screws

**WMJ018:** Single arm with 18" (457mm) reach  
**WMJ022:** Single Arm with 22.5" (572mm) reach  
**Max Load:** Wood 125lb (57kg) single arm  
Concrete 150lb (68kg) single arm  
Wood/Concrete 300lb (137kg) double arm

**Ship Weight:** WMJ018 12lb (5.4kg)  
WMJ022 13lb (5.9kg)  
**Color:** Black



To verify mount compatibility with any display or projector model use MountFinder™ at [peerless-av.com](http://peerless-av.com).



### ACC109 Extension Column Connector

- Two female connectors to join two extension columns to create maximum length of 20' (6.096mm)
- Unit has 1.5"-11.5 NPS (38mm) fitting for attachment of extension column
- Security screws included

**Max Load:** 1,200lb (544kg)  
**Ship Weight:** 1.1 lb (.5kg)  
**Color:** Black



Patented.



### ACC800 Connector with Cord Management

- 1.5" (38mm) access hole for internal cord management
- Unit has 1.5"-11.5 NPS (38mm) fitting for attachment of extension column
- Security screws included
- One male and one female connection to provide internal cord management between extension column and mount or ceiling plate

**Max Load:** 300lb (136kg)  
**Ship Weight:** 0.5 lb (0.2kg)

**Color:** Black



Patented.



### ACC850(S) Connector with Cord Management

- 1.5" (38mm) access hole for internal cord management
- Unit has 1.5"-11.5 NPS (38mm) fitting for attachment of extension column
- Security screws included
- Two female connectors to provide internal cord management and join two extension columns to create maximum height of 20' (6m)

**Max Load:** 300lb (136kg)  
**Ship Weight:** 0.39 lb (0.17kg)  
**Color:** Black or silver



Patented.



### DCT300 Multi-Display Truss Ceiling Stress Decoupler

- Includes truss ceiling plate with integral high density rubber decoupler assembly to prevent vibrations
- Attaches to round, square, rectangular or I-beam trusses up to 3" (76mm) wide x 3" (76mm) high
- Stub fitting accepts adjustable or fixed length ADD model extension columns

**Max Load:** 1,200lb (544kg)  
**Ship Weight:** 4.6lb (2.1kg)  
**Color:** Black



Patented.



### DCT500, DCT600, DCT800, DCT900 Multi-Display I-Beam Clamps

- For use only with Peerless-AV Multi-Display Systems in combination with Adjustable Length Extension Columns (ADD models)
- Includes structural ceiling plate with integral high density rubber decoupler assembly to prevent vibrations

**DCT500:** for 7"-12" (177-304mm) wide, 0.25"-1" (6-25mm) thick I-beams  
**DCT600:** for 15"-19.5" (381-495mm) wide, 1.5"-2" (38-50mm) thick I-beams  
**DCT800:** for 7"-12" (177-304mm) wide, 2.5"-3" (63-76mm) thick I-beams  
**DCT900:** for 4"-7" (101-177mm) wide, up to 1.5" (38mm) thick I-beams

**Max Load:** 600lb (272kg)  
**Ship Weight:** **DCT500** 9.4lb (4.3kg)  
**DCT600** 13.1lb (6kg)  
**DCT800** 14lb (6.4kg)  
**DCT900** 9lb (4.1kg)

**Color:** Black



Patented.



### ADD Models Multi-Display Extension Column (Fixed Extension Columns for Ceiling Decouplers)

- Drop length of final display assembly will vary according to selected decoupler unit. See spec sheet at peerless-av.com for complete information

Model	Drop	Ship Weight
ADD102	2' (.6m)	7.1lb (3.2kg)
ADD103	3' (.9m)	11.3lb (5.1kg)
ADD104	4' (1.22m)	13.4lb (6.1kg)
ADD105	5' (1.52m)	17.8lb (8.1kg)
ADD106	6' (1.83m)	20.5lb (9.3kg)
ADD107	7' (2.13m)	25.8lb (11.7kg)
ADD108	8' (2.44m)	28.2lb (12.8kg)
ADD110	10' (3.05m)	38.2lb (17.3kg)

**Max Load:** 1,200lb (544kg)  
**Color:** Black

Columns longer than 9' (2.74m) wrapped in vinyl



### DCS400 Multi-Display Structural Ceiling Stress Decoupler

- Includes structural ceiling plate with integral high density rubber decoupler assembly to prevent vibrations
- Stub fitting accepts adjustable or fixed length ADD model extension columns

**Max Load:** 1,200lb (544kg)  
**Ship Weight:** 7.8lb (3.5kg)  
**Color:** Black



Patented.



Patented.

### ADD Models Multi-Display Extension Column (Adjustable Extension Columns for Ceiling Decouplers)

- Drop length of final display assembly will vary according to selected decoupler unit. See spec sheet at peerless-av.com for complete information

Model	Drop	Ship Weight
ADD012018	12"-18" (30-46cm)	5lb (2.3kg)
ADD018024	18"-24" (46-61cm)	5.5lb (2.5kg)
ADD0203	2'-3" (0.6-0.9m)	8.2lb (3.7kg)
ADD0305	3'-5" (0.9-1.2m)	13.3lb (6kg)
ADD0406	4'-6" (1.2-1.8m)	16lb (7.3kg)
ADD0507	5'-7" (1.5-2.1m)	21lb (9.5kg)
ADD0608	6'-8" (1.8-2.4m)	22lb (10kg)
ADD0709	7'-9" (2.1-2.7m)	26lb (11.7kg)
ADD0810	8'-10" (2.4-3.1m)	28lb (12.7kg)
ADD0911	9'-11" (2.7-3.4m)	30.3lb (13.7kg)
ADD1012	10'-12" (3.1-3.7m)	34lb (15.4kg)

**Max Load:** 1,200lb (544kg)  
**Color:** Black

Columns longer than 9' (2.74m) wrapped in vinyl



\*Antimicrobial protection is limited to the treated article and does not protect a user against disease causing bacteria. Always clean products thoroughly after each use. Visit [agion-tech.com](http://agion-tech.com) for more details.

To verify mount compatibility with any display or projector model use MountFinder™ at [peerless-av.com](http://peerless-av.com).

630-375-5100 | 800-865-2112 | [info@peerless-av.com](mailto:info@peerless-av.com) | [peerless-av.com](http://peerless-av.com)

### ACC640(-B)(-W), ACC002, ACC641 Escutcheon Ring

1. Covers hole where extension column passes through ceiling
2. ACC641 hinged ring wraps around 0.75" (19mm) schedule 40 extension column
3. ACC640(-B)(-W) hinged ring wraps around 1.8" (48mm) schedule 40 extension column
4. ACC002 hinged ring wraps around 2.3" (58mm) schedule 40 extension column

Ship Weight: 0.02lb (.09kg)

Color:

ACC640(-B)(-W): Chrome, black or white

ACC002/ACC641: Chrome



### ACC852(W), ACC856(W) Cord Wrap

1. Designed to externally route cords along outside of extension column
2. Sections can be stacked to create longer lengths or cut to desired length

ACC852: Four 2' (609mm) sections  
ACC856: Four 6' (1828mm) sections

Ship Weight: ACC852 2lb (.9kg)  
ACC856 6lb (2.7kg)

Color: Black or white



### ACC450 Adaptor Bracket for 22" to 40" Displays

1. Universal adaptor for 22" to 40" displays with VESA® mounting patterns of 200 x 100 and 200 x 200mm
2. VESA® 200 x 100mm mounting can be offset high or low to help prevent signal and power input interference
3. Compatible virtually any display mount with VESA® 100 x 100mm mounting pattern (hardware included)

Max Load: 115lb (52kg)

Ship Weight: 1.9lb (0.9kg)

Color: Black



### ACC050 Extension Column Stabilizer Kit

1. Reduces unwanted swaying that may occur with long drop lengths
2. For use with 1.5" (38mm) NPT extension columns

Ship Weight: 2.8lb (1.3kg)

Color: Black



### ACC830 Side-to-Side Adjuster

1. 4" (101mm) of radial side to side adjustment
2. May be used with extension column or projector wall arm
3. Includes Flush Mount Tube, EXT002

Max Load: 50lb (22kg)

Ship Weight: 2lb (.9kg)

Color: Black



### ACC-M1020 PLP Mounting Hardware Kit

1. For usage when mounting PLP adaptors using the PLP mounting pattern

Ship Weight: 0.4lb (0.18kg)



### PLP-UNM Universal I-Shaped Adaptor for 22" to 50" Displays

1. Universal adaptor for 22" to 50" displays with VESA® mounting pattern from 200 x 200 to 400 x 400mm
2. Compatible to virtually any display mount with VESA® 100 x 100 mounting pattern (mounting hardware included)
3. ACC-M1020 required when mounting to Peerless-AV® PLP mounting pattern (sold separately)

Max Load: 150lb (68kg)

Ship Weight: 5.44lb (2.5kg)

Color: Black



**RoHS**



### PLP-UNL Universal I-Shaped Adaptor for 32" to 90" Displays

1. Universal adaptor for 32" to 90" displays with VESA® mounting pattern from 200 x 200 to 600 x 400mm
2. Compatible to virtually any display mount with VESA® 100 x 100 mounting pattern (mounting hardware included)
3. ACC-M1020 required when mounting to Peerless-AV® PLP mounting pattern (sold separately)

Max Load: 150lb (68kg)

Ship Weight: 6.30lb (2.9kg)

Color: Black



**RoHS**



### PLP-V models Dedicated Adaptor Plates

1. For use with Flat Panel Displays

PLP-V100: VESA® 100x100mm  
PLP-V2X1: VESA® 200x100mm  
PLP-V2X2: VESA® 200x200mm  
PLP-V3X2: VESA® 300x200mm  
PLP-V3X3: VESA® 300x300mm  
PLP-V4X2: VESA® 400x200mm  
PLP-V4X3: VESA® 400x300mm  
PLP-V4X4: VESA® 400x400mm  
PLP-V6X2: VESA® 600x200mm  
PLP-V6X4: VESA® 600x400mm  
PLP-V6X5: VESA® 600x500mm  
PLP-V6X6: VESA® 600x600mm  
PLP-V8X4: VESA® 800x400mm  
PLP-V9X6: VESA® 900x600mm

Color: Black



PLP-V6X4





## WSP700/WSP701 Metal Stud Wall Plate for use with Peerless-AV Single Stud Arms

1. For use with Peerless-AV SP/SA730, SP/SA740, SA746PU, PP/PA730, PP/PA740, PA746 models
2. Minimal wall footprint for added wall access and increased cable management options

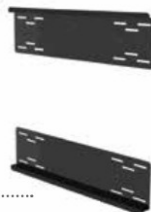
<b>Max Load:</b>	80lb (36kg)
<b>Mounting Surface:</b>	WSP700 16" Center Metal Studs WSP701 20" and 24" Center Metal Studs
<b>Ship Weight:</b>	WSP700 6.5lb (3kg) WSP701 10.5lb (5kg)
<b>Color:</b>	Gloss black



## WSP756 Metal Stud Wall Plate

1. For use with Peerless-AV SA752PU, SA761PU, SA771PU, SAX755PU, SAX762PU and SAX772PU models
2. Increased cable management options

<b>Max Load:</b>	90lb (40.8kg)
<b>for SA752P(U):</b>	130lb (58.9kg)
<b>for SA761P(U):</b>	200lb (90.7kg)
<b>for SA763PU/771P(U):</b>	80lb (36kg)
<b>for SAX755PU:</b>	110lb (50kg)
<b>for SAX762PU:</b>	135lb (61.23kg)
<b>Mounting Surface:</b>	16", 20" and 24" Center Metal Studs
<b>Ship Weight:</b>	16.5lb (7kg)
<b>Color:</b>	Gloss black



## WBK100(-W) Short Throw Double Stud Wall Plate

1. For wood stud, 16" (406mm) centers, and concrete or cinder block applications
2. Allows for 6" (152mm) of lateral adjustment
3. Mounting hardware included
4. Compatible with PSTA-028 and PSTA-2955

<b>Max Load:</b>	50lb (22kg)
<b>Ship Weight:</b>	7lb (3.2kg)
<b>Color:</b>	Black or white



## WSP425(W)/445 Metal Stud Wall Plates - Double Stud

1. For use on 25 gauge or heavier metal studs to span load between two studs with 16" (406mm) or 24" (609mm) centers
2. Can also be used on wood studs
3. Compatible with Peerless-AV PWA-14, WMJ018 and WMJ022 wall arms

<b>WSP425(W):</b>	16" (406mm) centers with knockouts	
<b>WSP445:</b>	24" (609mm) centers with knockouts	
<b>Max Load:</b>	WSP models	125lb (57kg)
<b>Ship Weight:</b>	WSP425(W)	11lb (5kg)
	WSP445	15lb (6.8kg)
<b>Color:</b>	WSP models	Black or white



## WSP816/820/824 Metal Stud Wall Plate for FPS-1000 and SP850

1. Compatible with FPS-1000 and SP850
2. Designed to span the load between 2 studs

<b>WSP816:</b>	16" (406mm) centers	
<b>WSP820:</b>	20" (508mm) centers	
<b>WSP824:</b>	24" (609mm) centers	
<b>Max Load:</b>	WSP816:	150lb (68kg) on mount
	WSP820:	150lb (68kg) on mount
	WSP824:	125lb (56.7kg) on mount
<b>Ship Weight:</b>	WSP816:	14.5lb (6.6kg)
	WSP820:	15.6lb (7.1kg)
	WSP824:	15.96lb (7.2kg)
<b>Color:</b>	Black or white	



## ACC625/630 Dedicated Wall Adaptor Box

1. Compatible with SMART Arm 600i, SMART UX60 and Hitachi A100WALLARM2
2. Mounts to studs 16" on center
3. Expandable depth range of 2.14"-3.50" with ACC625 and 3.26"-5.50" with ACC630

<b>Overall Dimensions:</b>	(W x H x D)
<b>ACC625:</b>	18.48" x 10.75" x 3.50" (469 x 273 x 89mm)
<b>ACC630:</b>	18.48" x 10.75" x 5.50" (469 x 273 x 139mm)
<b>Max Load:</b>	ACC625 60lb (27.2kg) ACC630 50lb (22.6kg)
<b>Ship Weight:</b>	ACC625 15lb (6.8kg) ACC630 17.5lb (7.9kg)
<b>Color:</b>	Black



To verify mount compatibility with any display or projector model use MountFinder™ at [peerless-av.com](http://peerless-av.com).

630-375-5100 | 800-865-2112 | [info@peerless-av.com](mailto:info@peerless-av.com) | [peerless-av.com](http://peerless-av.com)



Display Mounts



Projector Mounts

## ACC918, ACC925

VESA® Security Fasteners

1. Screen-side security fasteners for theft resistance

**ACC918:** for VESA® 75, 100 and 200 x 100mm mounts  
**ACC925:** for VESA® 200 to 800 x 400mm mounts

**Ship Weight:** **ACC918** 0.49lb (0.2kg)  
**ACC925** 0.84lb (0.38kg)

**Color:** Black



## ACC215, ACC415, ACC615

Metal Stud Fastener Kit

1. For mounting Peerless-AV wall mounts to 25 gauge or heavier metal studs

**ACC215:** 2 anchors  
**ACC415:** 4 anchors  
**ACC615:** 6 anchors

**Ship Weight:** **ACC215** 0.19lb (0.09kg)  
**ACC415** 0.32lb (0.1kg)  
**ACC615** 0.47lb (0.2kg)



## ACC230/234, ACC240/244

Concrete Anchors

1. For attachment to concrete and concrete block
2. ACC233, ACC234, ACC230: 8mm anchor used in conjunction with #14 x 2.5" (63mm) wood screw  
 ACC243, ACC244, ACC240: 10mm anchor used in conjunction with #5/16 X 3" (76mm) wood screw

**ACC234/244:** 4 anchors  
**ACC230/ACC240:** 50 anchors

**Ship Weight:** **ACC234/244:** 0.05lb (0.22kg)  
**ACC230/ACC240:** 1lb (0.45kg)



## ACC605

Wall Hardware for IWB600-SB

1. 4 each security screws, concrete anchors, toggle and washers

**Ship Weight:** 0.32lb (0.14kg)



## ACC954 Theft resistant security kit for the PTM400 and PTM200

1. Theft Resistant Security Kit for the PTM400 and PTM200



## ACC200, ACC205, ACC210, ACC255

Concrete Expansion Anchors

1. Not recommended for concrete block applications (see ACC233, ACC234, ACC230, ACC243, ACC244, ACC240 for all types of concrete and cinder block applications)

**ACC200:** 2 anchors  
**ACC205:** 3 anchors  
**ACC210:** 4 anchors  
**ACC255:** 50 anchors

**Ship Weight:** **ACC200** 0.2lb (0.09kg)  
**ACC205** 0.2lb (0.09kg)  
**ACC210** 1lb (0.45kg)  
**ACC255** 2.09lb (0.94kg)



## PVP1100-CPL6

Six Outlet Surge Protector

1. Electrical Rating - 15A, 120V, 1800W Watt
2. Surge Energy Joule Rating – 2160 Joules
3. Protection Indicator Lights – Green and red lights confirm components are protected
4. Safety Shutdown Technology – Thermal fuses to power off protecting against fire, over voltage or when surge protection expires
5. EMV/RFI Noise Filter – Noise filtering for enhanced component performance



### ACC320

#### Electrical Outlet Strip with Cord Wrap

1. For use with SR Cart series
2. Includes outlet strip with three outlets
3. 20' (6096mm) cord with hanger clamp and cord wrap

**Ship Weight:** 3lb (1.3kg)  
**Color:** Black



### ACC316

#### Safety Belt

1. 8' (2438mm) belt to secure equipment to shelves with slots
2. Tear-resistant nylon
2. For use with Metal Shelf (ACC-MS) or Laptop Tray (ACC328)

**Ship Weight:** 0.3lb (0.1kg)



### ACC666

#### Safety Belt

1. Heavy-duty black nylon safety belt
2. 13' endless loop ratchet tie-down
3. Recommended for use with mounts and carts

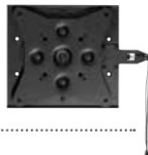
**Max Load:** 300lb (136kg)  
**Ship Weight:** 0.7lb (0.3kg)  
**Color:** Black



### RMI2C Rotational Mount Interface for Carts and Stands

1. Rotate landscape to portrait orientation without removing the screen
2. Roll angle can be locked in 15° increments, creating endless screen positioning possibilities
3. Compatible with SR560M, SR575M, SR575K, SS575K, FPZ-600 and FPZ-670

**Max Load:** 175lb (79kg)  
**Ship Weight:** 7.15lb (3.24kg)  
**Color:** Black



### ACC-V900X, MIS995

#### VESA® Adaptor for Carts & Stands

1. For use with SR560M, SR575M, SR575K, SR598ML3 & SS575K
2. ACC-V900X converts a 400 or 500mm wide mounting pattern to 600, 800 and 900mm wide mounting patterns
3. MIS995 converts a 600 x 400mm VESA® pattern to a 800 x 400mm pattern on carts and stands

**Ship Weight:** ACC-V900X 14.5lb (6.6kg)  
MIS995 4.31lb (2.0kg)  
**Color:** Black

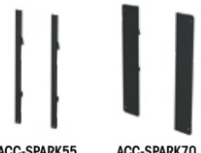


### ACC-SPARK55, ACC-SPARK70

#### Cisco Spark Board Adaptor Brackets

1. For use with SF680-HUB and SR598-HUB
2. ACC-SPARK55 attaches to 55" Cisco Spark Board
3. ACC-SPARK70 attached to 79" Cisco Spark Board

**Ship Weight:** ACC-APARK55 4.8lb (2.2kg)  
ACC-APARK70 27.2lb (12.3kg)  
**Color:** Black



### MOD-UNL2

#### Large Universal Adaptor

1. For 46" to 90" displays
2. Compatible with VESA® patterns from 300 x 200 to 600 x 400mm

**Max Load:** 211lb (96kg)  
**Ship Weight:** 4lb (1.82kg)  
**Color:** Black



### MIS735

#### Dual-Display Cartridge

1. For use with FPZ-670 display stands for two stacked displays and four-display formation

**Ship Weight:** 24lb (10.8kg)  
**Color:** Black



### ACC604

#### Dual-Display Cartridge

1. For use with FPZ-600 display stands for two stacked displays and four-display formation

**Ship Weight:** 12lb (5kg)  
**Color:** Black



### ACC-DS-VW2X2

#### Video Wall Conversion Kit

1. Clamps the 2x2 video wall mount directly to two FPZ-600 stands
2. Height adjustable along the FPZ-600 poles
3. Media player shelf ACC340 conveniently attaches to the back side of the clamp
4. Compatible with DS-VW655-2X2

**Max Load:** 600lb (272kg)  
**Ship Weight:** 9.5lb (4.3kg)  
**Color:** Black



# Casters and Feet Accessories

### ACC-BPR

#### Bumper Accessory for Cart Legs

1. For use with SR carts
2. Prevents damage to walls and doorways

**Ship Weight:** 1.6lb (0.73kg)  
**Color:** Black



### ACC310

#### Cart or Stand Feet Accessory

1. Four feet for stationary cart placement
2. Hard plastic base with steel casing

**Ship Weight:** 1lb (0.45kg)  
**Color:** Black



To verify mount compatibility with any display or projector model use MountFinder™ at [peerless-av.com](http://peerless-av.com).

630-375-5100 | 800-865-2112 | [info@peerless-av.com](mailto:info@peerless-av.com) | [peerless-av.com](http://peerless-av.com)



## ACC-MS

*Metal Shelf for Carts or Stands*

1. Attaches directly to post of SR series carts and SS series stands
2. Tool-less repositioning

**Max Load:** 10lb (4.5kg)  
**Ship Weight:** 14lb (6.36kg)  
**Color:** Black



## ACC833 Equipment Accessory Shelf for Pedestal Mounts

1. Accommodates AV components
2. Mounts to 3.5" (89 mm) pole used in Peerless-AV's COL model pedestal displays
3. Can be mounted anywhere along the length of the column, facing any direction

**Max Load:** 40lb (18kg)  
**Ship Weight:** 10.1lb (4.6kg)  
**Color:** Black



## ACC325

*Accessory Shelf for FPZ-600*

1. Easily adjust along poles
2. 21"W (533mm) x 19"D (482mm)

**Max Load:** 25lb (11.3kg)  
**Ship Weight:** 19.7lb (8.93kg)  
**Color:** Black



## ACC-LA:

*Laptop Arm for Carts or Stands*

1. Attaches directly to post of SR series carts and SS series stands
2. Supports laptop
3. Vertical height and 180° swivel adjustability

**Max Load:** 10lb (4.5kg)  
**Ship Weight:** 9.5lb (4.32kg)  
**Color:** Black



## ACC328

*Laptop Tray for Monitor Mounts*

1. Simply attaches to LCT and LCW desktop and wall mounts for laptop usage
2. Designed with front edge to prevent laptop from sliding forward

**Max Load:** 8.4 to 17.8lb (3.8 to 8.1kg)  
**Ship Weight:** 3.8lb (1.72kg)  
**Color:** Black



## ACC-VCS

*Video Conferencing Camera Shelf*

1. Attaches directly to post of SR series carts and SS series stands
2. Supports most video conferencing cameras

**Max Load:** 5lb (2.3kg)  
**Ship Weight:** 8.5lb (3.86kg)  
**Color:** Black



MODEL	Page #
ACC-BPR.....	235
ACC-CCP.....	228
ACC-CCPHD.....	151, 228
ACC-DS-VW2X2.....	235
ACC-HPF650.....	226
ACC-LA.....	236
ACC-M1020.....	232
ACC-MS.....	236
ACC-SPARK55.....	235
ACC-SPARK70.....	235
ACC-UCM.....	218, 226
ACC-V900X.....	235
ACC-VCS.....	236
ACC-WMVCS.....	217, 226
ACC002.....	232
ACC050.....	232
ACC109.....	231
ACC120.....	228
ACC200.....	234
ACC205.....	234
ACC210.....	234
ACC215.....	234
ACC230.....	234
ACC234.....	234
ACC240.....	234
ACC244.....	234
ACC255.....	234
ACC2X1.....	226
ACC309.....	215
ACC310.....	235
ACC316.....	235
ACC320.....	235
ACC325.....	236
ACC328.....	236
ACC415.....	234
ACC450.....	232
ACC450.....	157, 224
ACC455.....	230
ACC460.....	230
ACC4X4.....	226
ACC550.....	228
ACC557.....	229
ACC558.....	229
ACC559.....	229
ACC560.....	228
ACC570.....	151, 228
ACC570S.....	151, 228
ACC570W.....	151, 228
ACC600.....	229
ACC604.....	235
ACC605.....	234
ACC615.....	234
ACC625.....	233
ACC630.....	233
ACC640.....	232
ACC640-B.....	232
ACC640-W.....	232
ACC641.....	232
ACC666.....	235
ACC800.....	231
ACC810.....	229
ACC830.....	232
ACC833.....	236

MODEL	Page #
ACC840.....	228
ACC845.....	228
ACC850.....	231
ACC850S.....	231
ACC852.....	232
ACC852W.....	232
ACC856.....	232
ACC856W.....	232
ACC918.....	157, 226
ACC925.....	159, 226
ACC931.....	214
ACC932.....	214
ACC932-S.....	214
ACC951.....	214
ACC952.....	226
ACC954.....	234
ACCD-05K.....	18
ACCD-12K.....	18
ACCD-ALG.....	18
ACCD-ALS.....	18
ACCD-DC553.....	18
ACCD-DC653.....	18
ACCD-DC753.....	18
ACCD-IREX.....	18
ACCD-IRREP.....	18
ACCXT400.....	226
ACCXT402.....	226
ADD012018.....	231
ADD018024.....	231
ADD0203.....	231
ADD0305.....	231
ADD0406.....	231
ADD0507.....	231
ADD0608.....	231
ADD0709.....	231
ADD0810.....	231
ADD0911.....	231
ADD1012.....	231
ADD102.....	231
ADD103.....	231
ADD104.....	231
ADD105.....	231
ADD106.....	231
ADD107.....	231
ADD108.....	231
ADD110.....	231
AEC006009.....	208, 229
AEC006009-S.....	208, 229
AEC006009-W.....	208, 229
AEC009012.....	208, 229
AEC009012-S.....	208, 229
AEC009012-W.....	208, 229
AEC012018.....	208, 229
AEC012018-S.....	208, 229
AEC012018-W.....	208, 229
AEC018024.....	208, 229
AEC018024-S.....	208, 229
AEC018024-W.....	208, 229
AEC0203.....	208, 229
AEC0203-S.....	208, 229
AEC0203-W.....	208, 229
AEC0305.....	208, 229
AEC0305-S.....	208, 229

MODEL	Page #
AEC0305-W.....	208, 229
AEC0406.....	208, 229
AEC0406-S.....	208, 229
AEC0406-W.....	208, 229
AEC0507.....	208, 229
AEC0507-S.....	208, 229
AEC0507-W.....	208, 229
AEC0608.....	208, 229
AEC0608-S.....	208, 229
AEC0608-W.....	208, 229
AEC0810.....	208, 229
AEC0810-S.....	208, 229
AEC0810-W.....	208, 229
AEC1012.....	208, 229
AEC1012-S.....	208, 229
AEC1012-W.....	208, 229
AV18.....	210
AV27.....	210
AV42.....	210
B-MIS38426.....	191
CMAL.....	153
CMJ300.....	228
CMJ310.....	228
CMJ450.....	230
CMJ453.....	230
CMJ455.....	230
CMJ470.....	151, 228
CMJ470W.....	151, 228
CMJ480.....	228
CMJ490.....	228
CMJ500R1.....	230
CMR410.....	224
DCS200.....	229
DCS400.....	231
DCT100.....	229
DCT300.....	231
DCT500.....	231
DCT600.....	231
DCT800.....	231
DCT900.....	231
DS-C555-3X2.....	61
DS-C555-3X3.....	61
DS-C555-4X2.....	62
DS-C555-4X3.....	62
DS-C560-1X3.....	60
DS-C560-2X2.....	60
DS-LEDFS Models.....	47
DS-LEDTK Models.....	49
DS-LEDUNV Models.....	46
DS-MBZ642L.....	67
DS-MBZ647L.....	67
DS-MBZ647P.....	67
DS-MBZ942L-2X1.....	68
DS-MBZ942L-3X1.....	68
DS-MBZ947L-2X1.....	68
DS-MBZ947L-3X1.....	68
DS-OM46ND-CEIL.....	154
DS-OM46ND-FLOOR.....	154
DS-OM55ND-CEIL.....	154
DS-OM55ND-FLOOR.....	154
DS-S555-3X2.....	64
DS-S555-3X3.....	64
DS-S555-4X2.....	65

To verify mount compatibility with any display or projector model use MountFinder™ at [peerless-av.com](http://peerless-av.com).

# Index

MODEL	Page #
DS-S555-4X3	65
DS-S560-1X3	63
DS-S560-2X2	63
DS-VW650	57
DS-VW655-2X2	59
DS-VW665	58
DS-VW755S	54
DS-VW765-LAND	52
DS-VW765-LQR	53
DS-VW775	50
DS-VW775-QR	51
DS-VW795-QR	55
DS-VWM770	56
DS-VWT955-2X2	66
DS25	213
DS334	140
DS35	213
DS40	213
DS45	213
DS496	140
DSF265L	155
DSF265P	155
DSF290	160
DST360	139
DST660	138
DST942-6	147
DST965	143
DST970X2	144
DST975-4	146
DST980-3	145
DST995	141
DSX200	216
DSX750	140
ECMUA	28
EPA762PU	25
EPT630	23
EPT650	24
ESA763PU	26
ESF655P	19
ESF675	21
ESF686	22
ESHV10	211
ESHV20	211
ESHV30	211
EST655P	20
EWMU	27
EXT002	208, 229
EXT006	208, 229
EXT006-W	208, 229
EXT006S	208, 229
EXT018	151, 208, 229
EXT018-W	151, 208, 229
EXT018S	151, 208, 229
EXT101	151, 208, 229
EXT101-W	151, 208, 229
EXT102	151, 208, 229
EXT102-W	151, 208, 229
EXT102S	151, 208, 229
EXT103	151, 208, 229
EXT103S	151, 208, 229
EXT104	151, 208, 229
EXT104-W	151, 208, 229
EXT104S	151, 208, 229

MODEL	Page #
EXT105	151, 208, 229
EXT105-W	151, 208, 229
EXT105S	151, 208, 229
EXT106	151, 208, 229
EXT106-W	151, 208, 229
EXT106S	151, 208, 229
EXT107	151, 208, 229
EXT107-W	151, 208, 229
EXT108	151, 208, 229
EXT108-W	151, 208, 229
EXT108S	151, 208, 229
EXT109	151, 208, 229
EXT109-W	151, 208, 229
EXT110	151, 208, 229
EXT110-W	151, 208, 229
FLD-UNV	226
FPS-1000	98
FPZ-600	177
FPZ-670	178
GC-PS3S	220
GC-UNV	219
GC-WII	220
GC-X360S-B	220
GC-X360S-W	220
HA746-STB	105
HLC-KIT	179
HLC-KIT-Q10	179
HP432-002	182
HP447	183
HP455	184
HPF650	97
HPF665	109
IB14X9-AC-W	132
IB14X9-W	132
IB14X9C	132
IB14X14-AC-W	133
IB14X14-W	133
IB14X14C	133
IBA2	227
IBA2-W	227
IBA2AC	227
IBA2AC-W	227
IBA3	227
IBA3-W	227
IBA3AC	227
IBA3AC-W	227
IBA4-W	227
IBA5-W	227
IM747PU	130
IM771PU	131
IMAM	159
IMAL	159
IWB600-2SB	207
IWB600-UNIV	204
IWB600-WB	206
IWB680-W	205
KIL640	34
KIL640-35D	35
KIL640-S	34
KIL640-S-35D	35
KIL642	34
KIL642-35D	35
KIL642-S	34

MODEL	Page #
KIL642-S-35D	35
KIL643	34
KIL643-35D	35
KIL643-S	34
KIL643-S-35D	35
KIL646	34
KIL646-35D	35
KIL646-S	34
KIL646-S-35D	35
KIL647	34
KIL647-35D	35
KIL647-S	34
KIL647-S-35D	35
KIL648	34
KIL648-35D	35
KIL648-S	34
KIL648-S-35D	35
KIL649	34
KIL649-35D	35
KIL649-S	34
KIL649-S-35D	35
KIL655	34
KIL655-35D	35
KIL655-S	34
KIL655-S-35D	35
KIL740	38
KIL740-S	38
KIL742	38
KIL742-S	38
KIL743	38
KIL743-S	38
KIL746	38
KIL746-S	38
KIL747	38
KIL747-S	38
KIL748	38
KIL748-S	38
KIL749	38
KIL749-S	38
KIL755	38
KIL755-S	38
KILH540	34
KILH540-S	34
KILH542	34
KILH542-S	34
KILH543	34
KILH543-S	34
KILH546	34
KILH546-S	34
KILH547	34
KILH547-S	34
KILH548	34
KILH548-S	34
KILH549	34
KILH549-S	34
KILH550	34
KILH550-S	34
KILH555	34
KILH555-S	34
KIP522	33
KIP522-S	33
KIP640	36
KIP640-35D	37

To verify mount compatibility with any display or projector model use MountFinder™ at [peerless-av.com](http://peerless-av.com).



630-375-5100 | 800-865-2112



[info@peerless-av.com](mailto:info@peerless-av.com)



[peerless-av.com](http://peerless-av.com)



MODEL	Page #
KIP640-S	36
KIP640-S-35D	37
KIP642	36
KIP642-35D	37
KIP642-S	36
KIP642-S-35D	37
KIP643	36
KIP643-35D	37
KIP643-S	36
KIP643-S-35D	37
KIP646	36
KIP646-35D	37
KIP646-S	36
KIP646-S-35D	37
KIP647	36
KIP647-35D	37
KIP647-S	36
KIP647-S-35D	37
KIP648	36
KIP648-35D	37
KIP648-S	36
KIP648-S-35D	37
KIP649	36
KIP649-35D	37
KIP649-S	36
KIP649-S-35D	37
KIP655	36
KIP655-35D	37
KIP655-S	36
KIP655-S-35D	37
KIP740	39
KIP740-S	39
KIP742	39
KIP742-S	39
KIP743	39
KIP743-S	39
KIP746	39
KIP746-S	39
KIP747	39
KIP747-S	39
KIP748	39
KIP748-S	39
KIP749	39
KIP749-S	39
KIP755	39
KIP755-S	39
KIPC2540	30
KIPC2540-S	30
KIPC2540B	31
KIPC2540B-S	31
KIPC2542	30
KIPC2542-S	30
KIPC2542B	31
KIPC2542B-S	31
KIPC2543	30
KIPC2543-S	30
KIPC2543B	31
KIPC2543B-S	31
KIPC2546	30
KIPC2546-S	30
KIPC2546B	31
KIPC2546B-S	31
KIPC2547	30

MODEL	Page #
KIPC2547-S	30
KIPC2547B	31
KIPC2547B-S	31
KIPC2548	30
KIPC2548-S	30
KIPC2548B	31
KIPC2548B-S	31
KIPC2549	30
KIPC2549-S	30
KIPC2549B	31
KIPC2549B-S	31
KIPC2550	30
KIPC2550-S	30
KIPC2550B	31
KIPC2550B-S	31
KIPC2555	30
KIPC2555-S	30
KIPC2555B	31
KIPC2555B-3	32
KIPC2555B-S	31
KIPC2555B-S-3	32
KIPC2565	30
KIPC2565-S	30
KIPC2565B	31
KIPC2565B-3	32
KIPC2565B-S	31
KIPC2565B-S-3	32
KLR62232	40
KLR64255	40
KOF555-1	27, 42
KOF555-2	27, 42
KOF555-3	27, 42
KOF-OPT-FAN	28, 43
KOF-OPT-ELECTRICAL	28, 43
KOF-OPT-SHELF	28, 43
KOF-OPT-SPK	28, 43
KOP55XHB	41
KOP55XHB-A	41
KOP55XHB-S	41
KOP55XHB-SA	41
KOP55XHB2	42
KOP55XHB2-A	42
KOP55XHB2-S	42
KOP55XHB2-SA	42
LCT100S	187
LCT620A	188
LCT620A-G	188
LCT620AD	189
LCT620AD-G	189
LCT650CD	190
LCW620A	192
MDJ700	148, 149
MDJ701	148, 149
MDJ710	148, 149
MDJ711	148, 149
MDJ720	148, 149
MDJ721	148, 149
MIS735	235
MIS995	235
MOD-ACAP	159
MOD-ACF	157, 201
MOD-ACF2	159
MOD-ADF	157, 159, 201

MODEL	Page #
MOD-APC	157, 159, 201
MOD-ASC	157
MOD-ASC2	159
MOD-ATA	201
MOD-ATA-W	201
MOD-ATD-W	157, 159, 201
MOD-AUB	157, 201
MOD-AWM2	159
MOD-CPC	157, 201
MOD-CPC-W	157, 201
MOD-CPF	157, 201
MOD-CPF2	159
MOD-CPI	157, 201
MOD-CPI2	159
MOD-FCS2KIT300	158
MOD-FCS2KIT300-B	158
MOD-FCSKIT300	156
MOD-FCSKIT300-B	156
MOD-FPMD	157
MOD-FPMD2	159
MOD-FPMS	157
MOD-FPMS2	159
MOD-FPP2	159
MOD-FPP2KIT200	158
MOD-FPP2KIT200-B	158
MOD-FPS2KIT150	158
MOD-FPS2KIT150-B	158
MOD-FPSKIT100	156
MOD-FPSKIT100-B	156
MOD-FPSKIT150	156
MOD-FPSKIT150-B	156
MOD-FW2KIT300	158
MOD-FW2KIT300-B	158
MOD-P100	157, 159, 201
MOD-P100-B	157, 159, 201
MOD-P150	157, 159, 201
MOD-P150-B	157, 159, 201
MOD-P200	157, 159, 201
MOD-P200-B	157, 159, 201
MOD-P300	157, 159, 201
MOD-P300-B	157, 159, 201
MOD-PRGSKIT100	200
MOD-PRGSKIT100-B	200
MOD-PRGSKIT150	200
MOD-PRGSKIT150-B	200
MOD-PRGSKIT300	200
MOD-PRGSKIT300-B	200
MOD-UNL	157
MOD-UNL2	159, 235
MOD-UNM	157
MOD-WP2	159
NT553	14, 15
NT653	14, 15
NT753	14, 15
OSUA771PU	131
PA730	119
PA740	120
PA746	121
PA750	122
PA762	123
PB-1	230
PE1120	199
PE1120-W	199

To verify mount compatibility with any display or projector model use MountFinder™ at [peerless-av.com](http://peerless-av.com).

# Index

MODEL	Page #
PF630	110
PF632	110
PF640	111
PF650	112
PF660	112
PJR125	196
PJR125-POR	196
PJR250	197
PLB-1	142
PLCK-1	152
PLCK-UNL	152
PLCM-1	150
PLCM-1CP	150
PLCM-2	151
PLCM-2-UNL	150
PLCM-4	151
PLCM-UNL	150
PLCM-UNL-CP	150
PLP-UNL	151, 232
PLP-UNM	151, 232
PLP-V100	151, 232
PLP-V2X1	151, 232
PLP-V2X2	151, 232
PLP-V3X2	151, 232
PLP-V3X3	151, 232
PLP-V4X2	151, 232
PLP-V4X3	151, 232
PLP-V4X4	151, 232
PLP-V6X2	151, 232
PLP-V6X4	151, 232
PLP-V6X5	151, 232
PLP-V6X6	151, 232
PLP-V8X4	151, 232
PLP-V9X6	151, 232
PP730	117
PP740	118
PRG-1	194
PRG-1-W	194
PRG-UNV	194
PRG-UNV-W	194
PRGS-455	195
PRGS-UNV	195
PRGS-UNV-S	195
PRGS-UNV-W	195
PS200	212
PSM-UNV	198
PSM-UNV-W	198
PSP2	221
PSP5	221
PSTA-028	202
PSTA-028-W	202
PSTA-2955	202
PSTA-2955-W	202
PSTK-028	203
PSTK-028-W	203
PSTK-2955	203
PSTK-2955-W	203
PT630	113
PT632	114
PT640	115
PT650	116
PT660	116
PTM200	185
PTM400	185

MODEL	Page #
PTM400-W	185
PTM400S	185
PTM400S-W	185
PTS4X4	180
PTS510I	186
PTS510I-S	186
PTS510I-W	186
PTS6X4	181
PVP1100-CPL6	234
PW-14	230
PW-14S	230
PW-14W	230
RMI2C	235
RMI2W	226
RMI3-FLIP2	84
SA730P	102
SA740P	103
SA746PU	104
SA752PU	106
SA761PU	107
SA771PU	108
SF16D	85
SF630	76
SF630P	76
SF632	77
SF632P	77
SF640	78
SF640-HUB2	83
SF640P	78
SF650	79
SF650P	79
SF660	79
SF660P	79
SF670	80
SF670P	80
SF680	81
SF680-HUB	83
SF680P	81
SF680P-HUB2	81
SFP680	82
SP730P	94
SP740P	95
SP746PU	96
SP80-UNLP	101
SP840	99
SP850	100
SP850-S	100
SP850-UNL	101
SP850-UNM	101
SP850-V2X2	100
SP850P	100
SP850P-S	100
SPK26	223
SPK811	222
SPK811W	222
SR555E	172
SR555M	171
SR560-FLIP2	165
SR560-HUB2	170
SR560M	166
SR575E	172
SR575K	168
SR575M	167
SR598	169

MODEL	Page #
SR598-HUB	169
SR598-HUB2	169
SR598ML3	162
SR598ML3E	163
SR598ML3T	164
SS560F	175
SS575K	176
SS598ML3	174
ST16D	93
ST630	86
ST630P	86
ST632	87
ST632P	87
ST640	88
ST640P	88
ST650	89
ST650P	89
ST660	89
ST660P	89
ST670	90
ST670P	90
ST680	91
ST680P	91
STP680	92
SUA740P	126
SUA747PU	127
SUA761PU	128
SUA771PU	129
SUF640P	124
SUF641	125
SUF650P	124
SUF651	125
SUF660P	124
SUF661	125
UV862	14, 15
VCM580	173
VPM25-J	213
VPM25-W	213
VPM35-J	213
VPM35-S	213
VPM40-J	213
VPM40-S	213
VPM40-W	213
VPM45-J	213
VPM45-S	213
WBK100	233
WBK100-W	233
WMJ018	230
WMJ022	230
WSP425	233
WSP425W	233
WSP445	233
WSP700	233
WSP701	233
WSP756	233
WSP816	233
WSP820	233
WSP824	233
XHB554	12, 13
XHB653	12, 14
XHB754	12, 15

To verify mount compatibility with any display or projector model use MountFinder™ at [peerless-av.com](http://peerless-av.com).



630-375-5100 | 800-865-2112



[info@peerless-av.com](mailto:info@peerless-av.com)



[peerless-av.com](http://peerless-av.com)



# TERMS & CONDITIONS

## TERMS OF PAYMENT

Payment should be made according to the payment terms referenced on the invoice of each receipt. Each shipment shall be considered a separate and independent transaction, and payment, therefore, shall be made accordingly. Please include our invoice number with your payment.

## PRICES

Prices are subject to change without prior notice. Orders are accepted at pricing in effect on the date of shipment. Customers requiring price guarantees for a specific period of time must submit a written list of purchase orders on which proposals have been made, giving the date of the proposal, the customer's name, items quoted and the expected purchase date.

## SPECIFICATIONS

Peerless-AV® is constantly striving to develop new products and improve existing ones. We therefore reserve the right to change or revise product designs, product specifications, and model numbers without notice.

## DELIVERY

Prices are FOB warehouse, Aurora, Illinois, USA, or point of shipment. All transportation costs and risk of freight damage are the obligation of the buyer. Any claims for shortages or damages, whether concealed or otherwise, must be filed with the common freight carrier. All promises of delivery are made in good faith, and Peerless-AV will make every reasonable effort to see that they are fulfilled. However, if we are unable to meet scheduled delivery dates due to factors beyond our control, such as fires, strikes, government directive, or failure of our suppliers to meet their promises, we shall not be liable for consequential or special damage. Refused shipments will automatically receive a 25% restocking fee plus the cost of the return freight.

## RETURN OF GOODS

For returns please call 800-865-2112 or email us at [returns@peerless-av.com](mailto:returns@peerless-av.com)

Return of goods for repair, warranty claims, credit or any other reason will not be accepted without a RETURN MATERIAL AUTHORIZATION (RMA) number. Such number can be obtained from the Peerless-AV Customer Care Team upon request, provided that all of the necessary information is available regarding the proposed return. Defective goods will be replaced or credited, at the customer's option, at no additional charge.

A minimum 25% restocking charge applies to all non-defective products returned for credit within the first 30 days after purchase. Thereafter, a larger restocking charge will be applied based upon the date of original shipment. Products will not be accepted for return 120 days after their original ship date. Custom product, specially produced or not normally carried in inventory, will not be accepted for return under any circumstances. Also, any obsolete products will not be accepted for return under any circumstances. All items to be returned must be sent back to us via pre-paid freight, with the RETURN MATERIAL AUTHORIZATION (RMA) number clearly marked on the carton and noted on the packing slip. No freight collect shipments will be accepted.

If a customer orders the wrong product by mistake, it may be returned with a reduced restocking charge of 10% if ALL of the following conditions are met; the incorrectly ordered products are returned within 30 days of receipt of shipment, the customer must pay freight to return the product, the product must be received in the original packaging and in like-new condition, the customer must immediately place a replacement order of equal or greater value than that of the order being returned. If and only if all of these conditions are met, at the discretion of Peerless-AV, may a customer receive the reduced 10% restocking charge.

It is the purchaser's responsibility to provide adequate packaging to protect the product being returned. Peerless-AV reserves the right to accept or reject the returned product subject to an inspection upon receipt. Products that are returned severely damaged may be rejected and therefore will not qualify for any type of return credit. The following chart defines the minimum restocking charge that will be applied for goods accepted for return by Peerless-AV. It does not include any additional charges that may apply for damaged products or those needing rework.

Days Since Shipping	Restocking Charge
0-30	25%
31-59	35%
60-119	50%
120+	Returns not accepted

## SPECIAL ORDERS

We are ready to work with you to tailor our products for your special equipment mounting needs. In most cases, we can provide special paint, engineering, and manufacturing processes. Standard product colors are indicated within the catalog. Product (not including fasteners) can be ordered in other paint choices including black, white, silver, and gray for a surcharge. Charges for other custom paint colors and product design/manufacturing modifications will be quoted on an individual basis. Custom painted or manufactured product CANNOT BE RETURNED. Purchase orders CANNOT BE CANCELED once they are acknowledged by Peerless-AV. Contact the Customer Care Team for more information.

## LIMITED WARRANTY

Peerless Industries, Inc. ("Peerless-AV") warrants to original end-users that each Peerless-AV® indoor mounting product will be free from defects in material and workmanship, under normal use, for the applicable warranty period (from date of the original installation of the product) set forth in the table below. The Limited Lifetime Warranty is applicable in North America only. At its option, Peerless-AV will repair or replace, or refund the purchase price of, any product which fails to conform with this warranty.

Any implied warranty of merchantability or fitness for a particular purpose shall be limited to the period of the express warranty set forth below.

In no event shall Peerless-AV be liable for incidental or consequential damages, whether or not secured by a security device which may be included with the product.

Some states do not allow limitations on how long an implied warranty lasts, or the exclusion of incidental or consequential damages, so the above limitation and/or the above exclusion may not apply to you.

This warranty does not cover damage caused by incorrect selection, installation or the failure to follow Peerless-AV instructions or warnings when installing, using or storing the product.

This warranty gives specific legal rights, and you may also have other rights which vary from state to state. To make a warranty claim in North America, contact Peerless-AV Customer Care at 1-800-865-2112. See complete global warranty information for regions outside North America at <https://www.peerless-av.com/en-uk/customer-care/warranties-returns>.

## Product

## Warranty Period

DesignerSeries™, Paramount™, SmartMount® Branded Indoor Wall Mounts (Flat, Tilt, and Full Motion Models)	LIFETIME*
All Other Indoor Mounts	5 years
Outdoor Mounts	5 years
Carts and Stands	5 years
Projector Mounts	5 years
Kiosk Enclosures	5 years
Xtreme™ Displays, UltraView™ TVs	2 years
Interactive Products	2 years
Cables	25 years
Screen Cleaners	1 year
Electronic Products and Components	1 year

\*Visit [peerless-av.com/pages/limited-warranty](https://www.peerless-av.com/pages/limited-warranty) for more information.

## FREIGHT OPTIONS

**Freight** The charge per order will be calculated and provided on the order confirmation. For further information or to obtain a freight quote, please contact Customer Care or your Peerless-AV Sales Representative.

**Collect** Have your order billed to the receiver on the receiver's freight account.

**Third Party Bill** Have your order billed to an approved third party's freight account.





For over 80 years, passion and innovation continue to drive Peerless-AV forward. We proudly design and manufacture the highest quality products, including outdoor displays and TVs, dvLED and LCD video wall systems, complete integrated kiosks, professional carts and stands, and more. Whether a full-scale global deployment or high volume custom project, Peerless-AV develops meaningful relationships and delivers world-class service. In partnership with Peerless-AV, you are trusting an award-winning team of experts who will support your business every step of the way. For more information, visit [peerless-av.com](http://peerless-av.com).

LIT-CAT2023, rev. 20\_06-19-2023

**Peerless-AV**

2300 White Oak Circle  
Aurora, IL 60502 USA

Toll Free: 800-865-2112  
P: 630-375-5100  
[info@peerless-av.com](mailto:info@peerless-av.com)

**Peerless-AV EMEA**

Unit 2 Curo Park  
Frogmore, St. Albans  
Hertfordshire, AL2 2DD  
United Kingdom

P: +44 (0) 1923 200 100

**Peerless-AV B.V.**

Papendorpseweg 75  
3528 BJ Utrecht  
The Netherlands

P: +31 (0) 70 770 8037

**Peerless-AV Latin America**

Av. de las Industrias 413  
Parque Industrial Escobedo  
General Escobedo, N.L.,  
México, 66062

P: +52 (81) 8384-8300